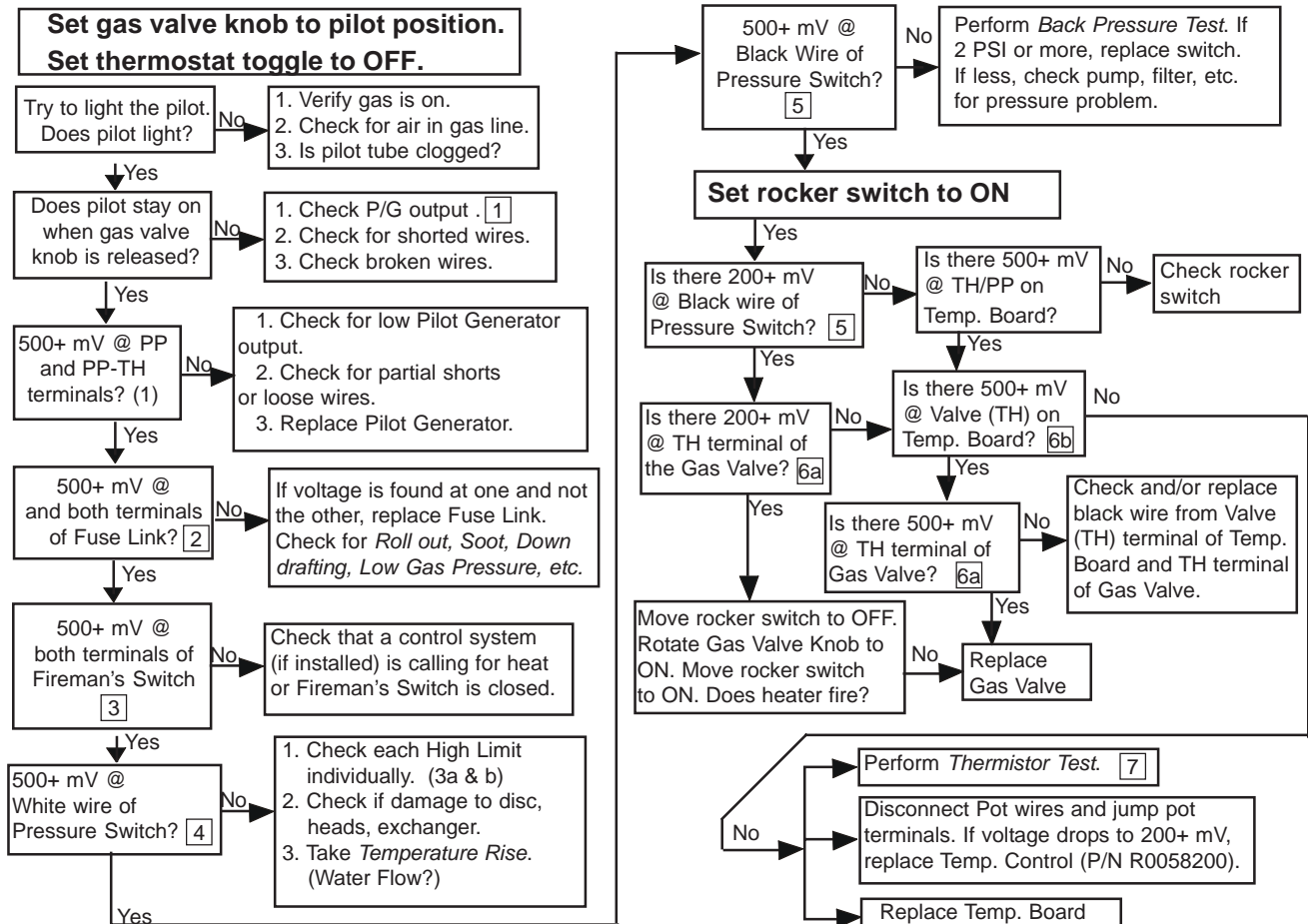
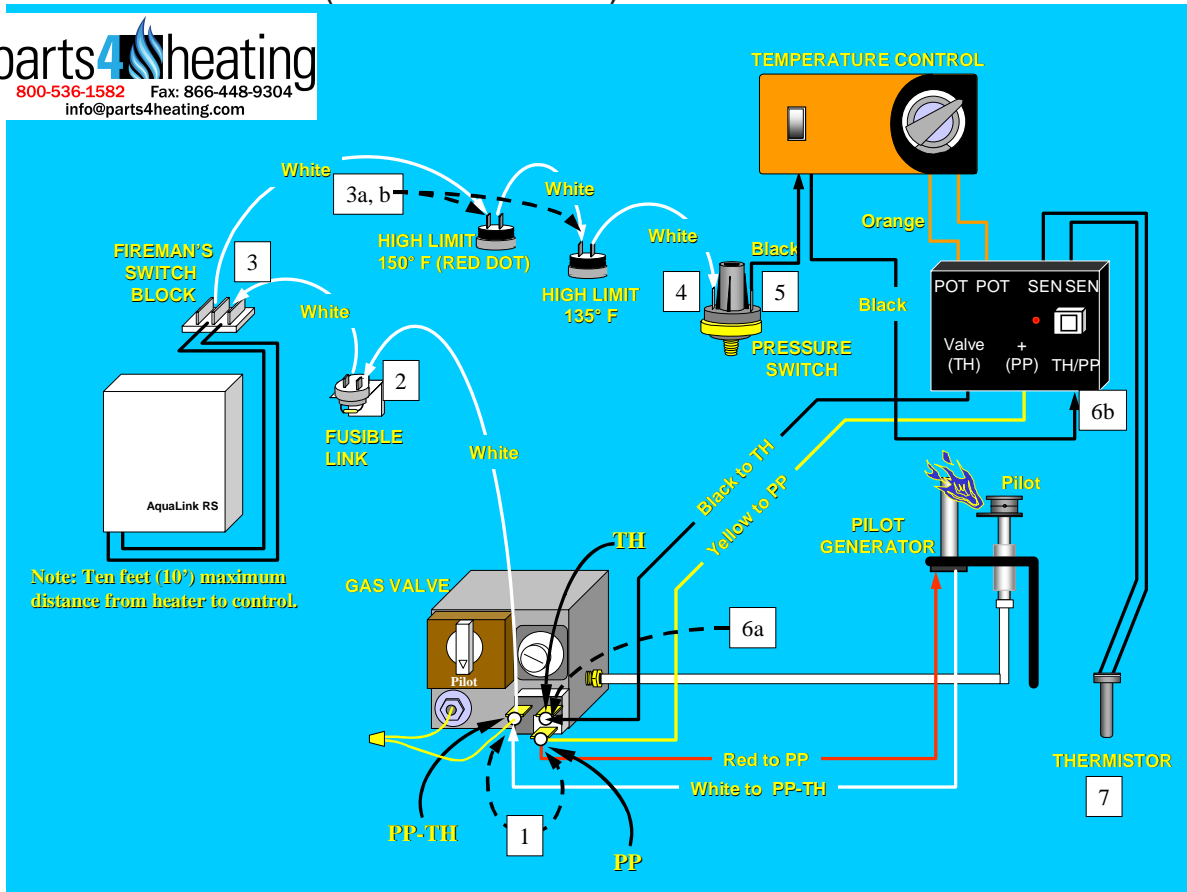
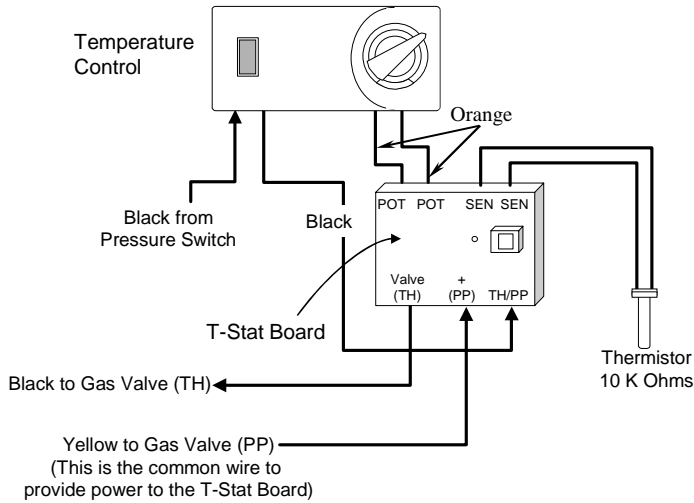
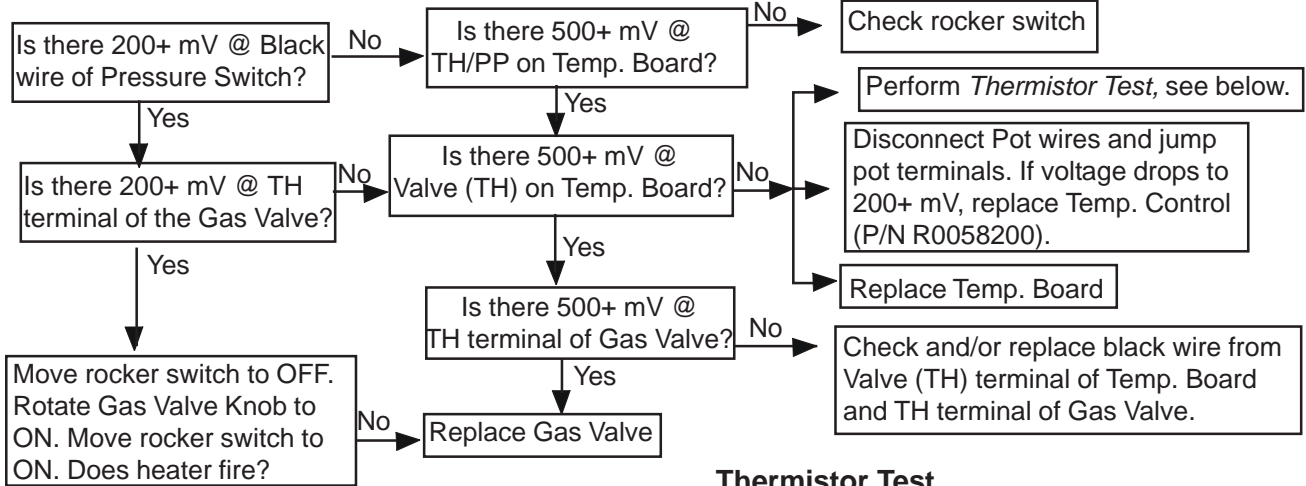


LITE (LG - MILLIVOLT) TROUBLESHOOTING



Temperature Control Testing

Set Gas Valve Knob to PILOT position. Move heater rocker switch to ON. Set thermostat to maximum.



Thermistor Test

Remove thermistor leads from temperature board. Set meter to test resistance above 20 K Ohms. Using chart below, compare the actual water temperature to the resistance reading.

Temp	Resistance	Temp	Resistance
50° F	19.898 K Ohms	78° F	9.735 K Ohms
51° F	19.435 K Ohms	79° F	9.483 K Ohms
52° F	18.871 K Ohms	80° F	9.284 K Ohms
53° F	18.382 K Ohms	81° F	9.079 K Ohms
54° F	17.902 K Ohms	82° F	8.864 K Ohms
55° F	17.473 K Ohms	83° F	8.655 K Ohms
56° F	16.988 K Ohms	84° F	8.450 K Ohms
57° F	16.549 K Ohms	85° F	8.253 K Ohms
58° F	16.150 K Ohms	86° F	8.057 K Ohms
59° F	15.710 K Ohms	87° F	7.871 K Ohms
60° F	15.314 K Ohms	88° F	7.687 K Ohms
61° F	14.923 K Ohms	89° F	7.509 K Ohms
62° F	14.547 K Ohms	90° F	7.335 K Ohms
63° F	14.193 K Ohms	91° F	7.166 K Ohms
64° F	13.823 K Ohms	92° F	7.001 K Ohms
65° F	13.477 K Ohms	93° F	6.840 K Ohms
66° F	13.138 K Ohms	94° F	6.685 K Ohms
67° F	12.813 K Ohms	95° F	6.531 K Ohms
68° F	12.492 K Ohms	96° F	6.384 K Ohms
69° F	12.186 K Ohms	97° F	6.238 K Ohms
70° F	11.893 K Ohms	98° F	6.099 K Ohms
71° F	11.593 K Ohms	99° F	5.963 K Ohms
72° F	11.309 K Ohms	100° F	5.829 K Ohms
73° F	11.032 K Ohms	101° F	5.700 K Ohms
74° F	10.765 K Ohms	102° F	5.572 K Ohms
75° F	10.502 K Ohms	103° F	5.449 K Ohms
76° F	10.250 K Ohms	104° F	5.327 K Ohms
77° F	10.000 K Ohms		

Total Millivolt Loss Test

Set meter to 2 VDC. Place one probe on PP-TH and the other probe on TH. The meter will display the total millivolt loss through the safety loop.

- Series One or older - 20 Millivolts loss or less.
- Series 2 - 30 Millivolts loss or less.

