

Installation
and Operation
Instructions for
Mini-Combo *id*
Model MCH
Induced Draft
Residential Gas-Fired
Space/Water Heater

Note: This document is to be used in conjunction with Document 1080, Installation and Operating Instructions for Mini-Therm JVi boilers.

⚠WARNING

Improper installation, adjustment, alteration, service or maintenance can cause injury or property damage. Refer to this manual. For assistance or additional information consult a qualified installer, service agency, gas supplier, or call the factory.



TABLE OF CONTENTS

SECTION 1.

General Information

1A.	Hazards and Your Safety —	
	Hot Water Can Scald!	3

SECTION 2.

Installation

		3
2A.	Location	5
2B.	Heater Placement.....	5
2C.	Piping	5
2D.	Wiring	6

SECTION 1. General Information

⚠ WARNING

This manual supplies information on the application, installation and operation of the indirect water heater unit. A complete instruction manual of the operation of the hydronic boiler (Document 1080) is supplied along with this manual. Both manuals should be reviewed completely before proceeding with the installation.

- Failure to follow the instructions provided may result in personal injury, death or substantial property damage.
- Any modifications to the boiler, water tank, gas and water connections, or wiring may void warranty.
- Consult the factory or local factory representative with any questions or problems regarding this equipment.

Hazards and Your Safety — Hot Water Can Scald!

Consumer Product Safety Commission and some states/provinces recommend a temperature setting of 130°F (54°C) or less. The water heater thermostat is factory set to approximately 120°F (49°C). If thermostat will be set above factory setting, install an anti-scald valve at either the water heater or at each hot water faucet.

- Tempering valves are not anti-scald valves since they do not have a positive shutoff in case cold water supply fails. They are not recommended for shower/tub service. If needed, install an anti-scald valve at each shower/tub.
- Water heated to a temperature suitable for clothes washing, dish washing and other sanitizing needs can scald and cause permanent injury.
- Children and elderly, infirm, or physically handicapped persons are more likely to be injured by hot water. Never leave them unattended in a bathtub or shower. Never allow small children to use a hot water tap or draw their own bath. If anyone using hot water in the building fits this description, or if state/province laws or local codes require certain water temperature at hot water taps, take special precautions:

Install an anti-scald valve at water heater or at each hot water faucet, bath, and shower outlet.

Use lowest practical temperature setting.

- Studies have indicated that dangerous bacteria can form in potable water distribution system if certain minimum water temperatures are not maintained. Contact local health department for more information.

SECTION 2. Installation

This installation must conform with the instructions in this manual and, where applicable:

- Local, state, provincial, and national codes, laws, regulations and ordinances.
- In Canada — CAN/CGA B149.1 or B149.2 installation Code.

Where the recommendations made in this manual differ from local or national codes, the local or national codes take precedence.

2A. Location

This water heater/boiler unit is not intended for outdoor installation. Select a convenient location where water leakage from the tank or connections will not result in damage to areas adjacent to the appliance or to lower floors of the structure. When a safe location cannot be found, install a suitable drain pan under the appliance, and pipe it to an adequate drain.

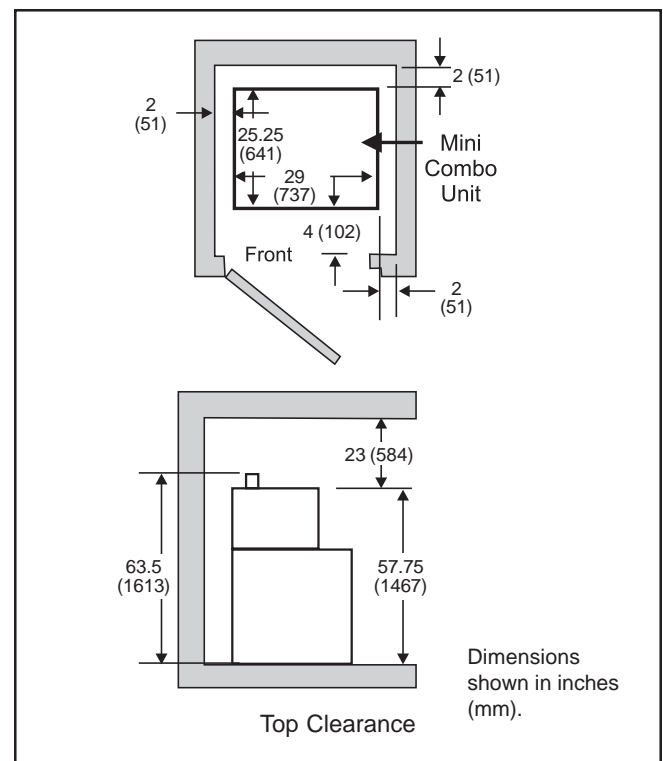


Figure 1. Closet Installation.

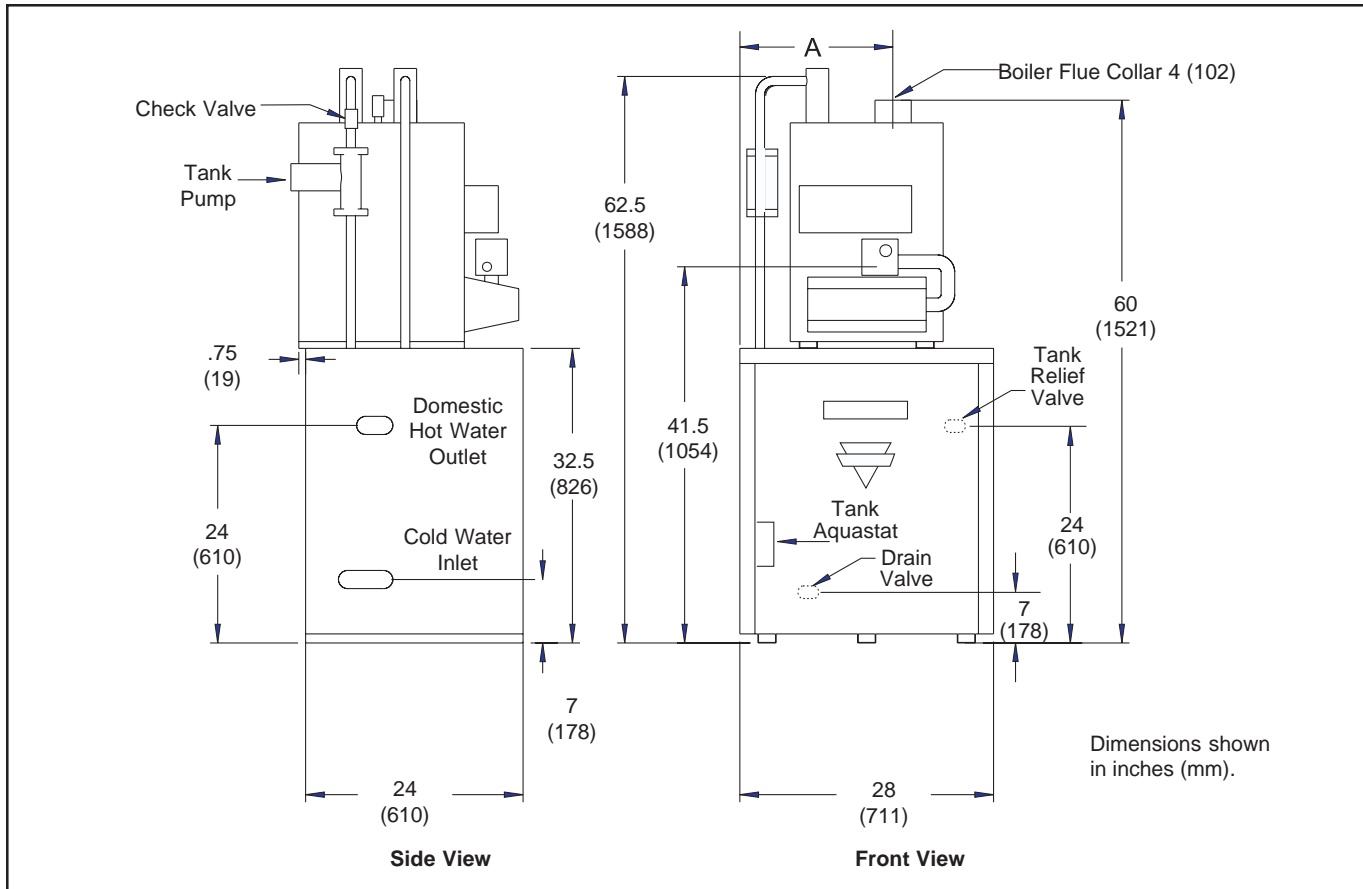


Figure 2. Dimensional Information.

Size	inches	mm
50	14	356
75	15	381
100	16	406
125	17	432
Boiler In/Out NPT (all sizes)		1 1/4
Gas NPT (all sizes)		1/2*
Domestic Hot Water (all sizes) Inlet/Outlet NPT		3/4
Minimum clearances from combustible surfaces: Left Side: 2" 51mm Right Side: 2" 51mm Rear: 2" 51mm Front: 4" 102mm Top: 23" 584mm Service clearances: Allow 4" 102mm on each side for piping access.		

*3/4" for model 125 Natural.

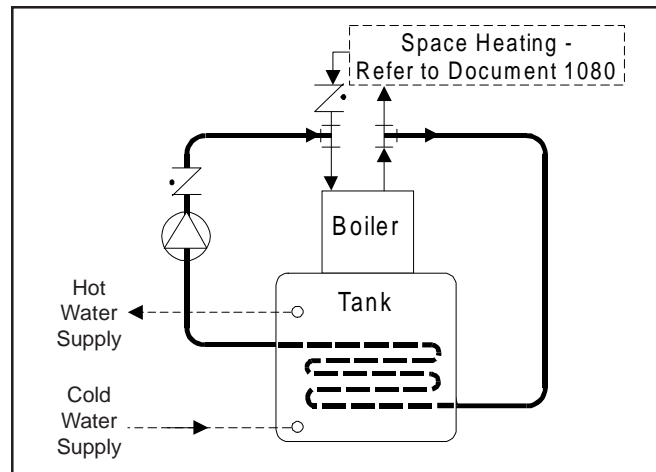


Figure 3. Piping Schematic.

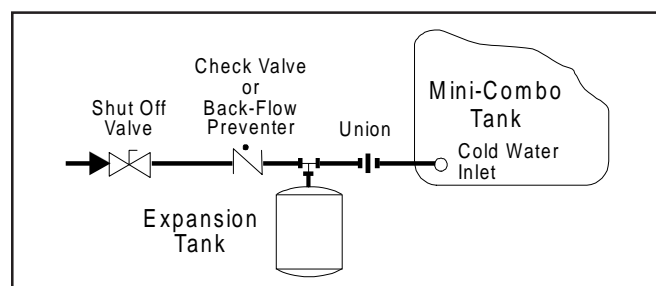


Figure 4. Typical Expansion Tank Installation.

2B. Heater Placement

The heater must be placed to provide clearances on all sides for maintenance and inspection. Allow 4 inches on each side for piping access. There must also be minimum distances maintained from combustible surfaces. Figure 1 shows minimum clearance from combustible surfaces. The Mini-Combo unit can be installed in a closet, as long as the minimum clearances are maintained. Special attention should be paid to the air supply opening to the closet. Refer to Table 1.

Net Free Area — square inches <i>sq. cm</i>		
Model	Inside Air	Outside Air
MC50	100 645	15 97
MC75	100 645	20 129
MC100	100 645	25 161
MC125	125 806	32 206

Area indicated is for one of two openings: One at floor level and one at the ceiling, so the total free area would be double the figures indicated. Refer to Document 1080 for more information.

Table 1. Minimum Recommended Air Supply.

2C. Piping

- To prevent damage to the unit, all soldering is to be done prior to assembling the cold and hot water, and any other connections to the tank.
- Use suitable pipe dope or tape.
- Before piping the boiler to the heating system, be sure to install the system check valve (provided with the unit) onto the inlet (return) tee of the boiler with arrow pointed downward (see Figure 3).
- If anti-freeze is used in boiler system, local codes may require a backflow preventer on cold supply line. Use anti-freeze specifically intended for hydronic heating system. Inhibited propylene glycol is recommended.

⚠ WARNING

Do not use automotive or ethylene glycol anti-freeze, or any undiluted anti-freeze. This can cause severe personal injury, death or substantial property damage.

If a backflow preventer, pressure reducing valve or check valve is in cold water supply, install an expansion tank on cold water supply line (see Figure 4) to prevent normal thermal expansion from repeatedly forcing open the T&P relief valve.

- T&P relief valve's discharge piping must be directed so that hot water flows away from all

persons. Attach run-off tube to T&P valve and run tube within 6" (152mm) from floor. No reducing couplings, valves, or any other type of restriction is to be installed in this line. This run-off tube must be installed to allow free and complete drainage of both valve and run-off tube.

- Filling Storage Water Tank
 - Open hot water faucet in house to allow air in the tank and in piping to escape.
 - Open shut-off valve(s) in cold water supply line.
 - Open shut-off valve(s) in hot water supply line.

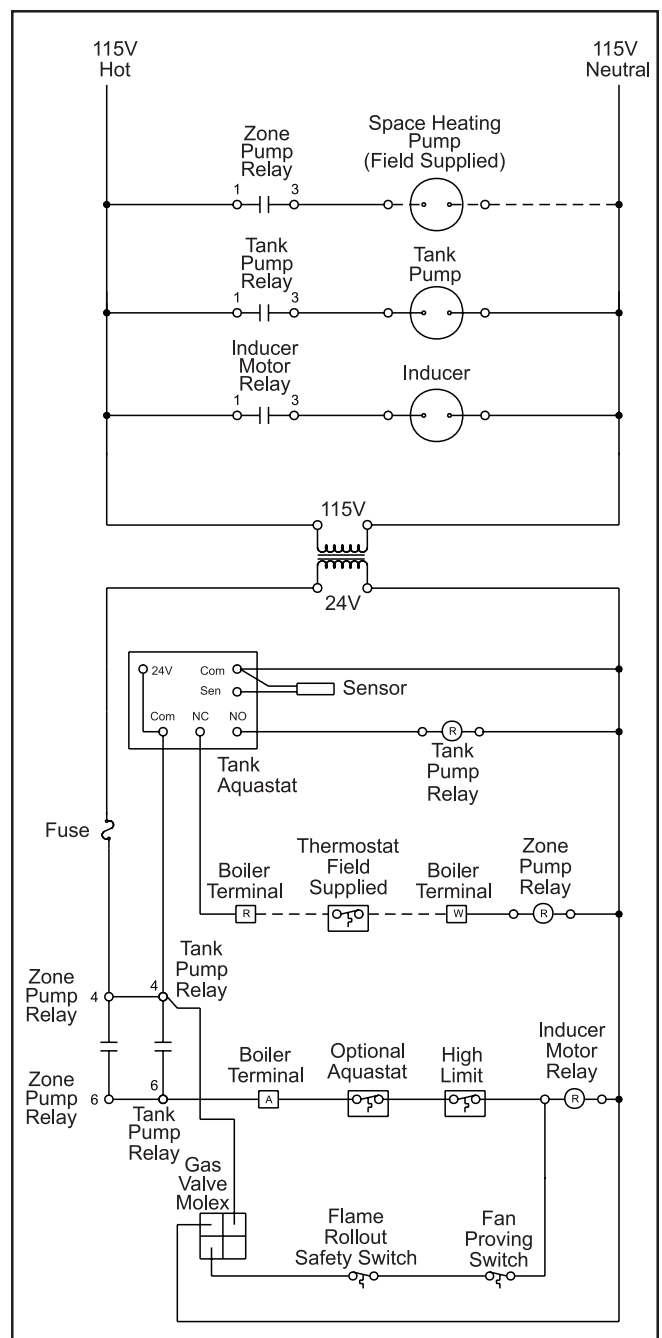


Figure 5. MCH Schematic.

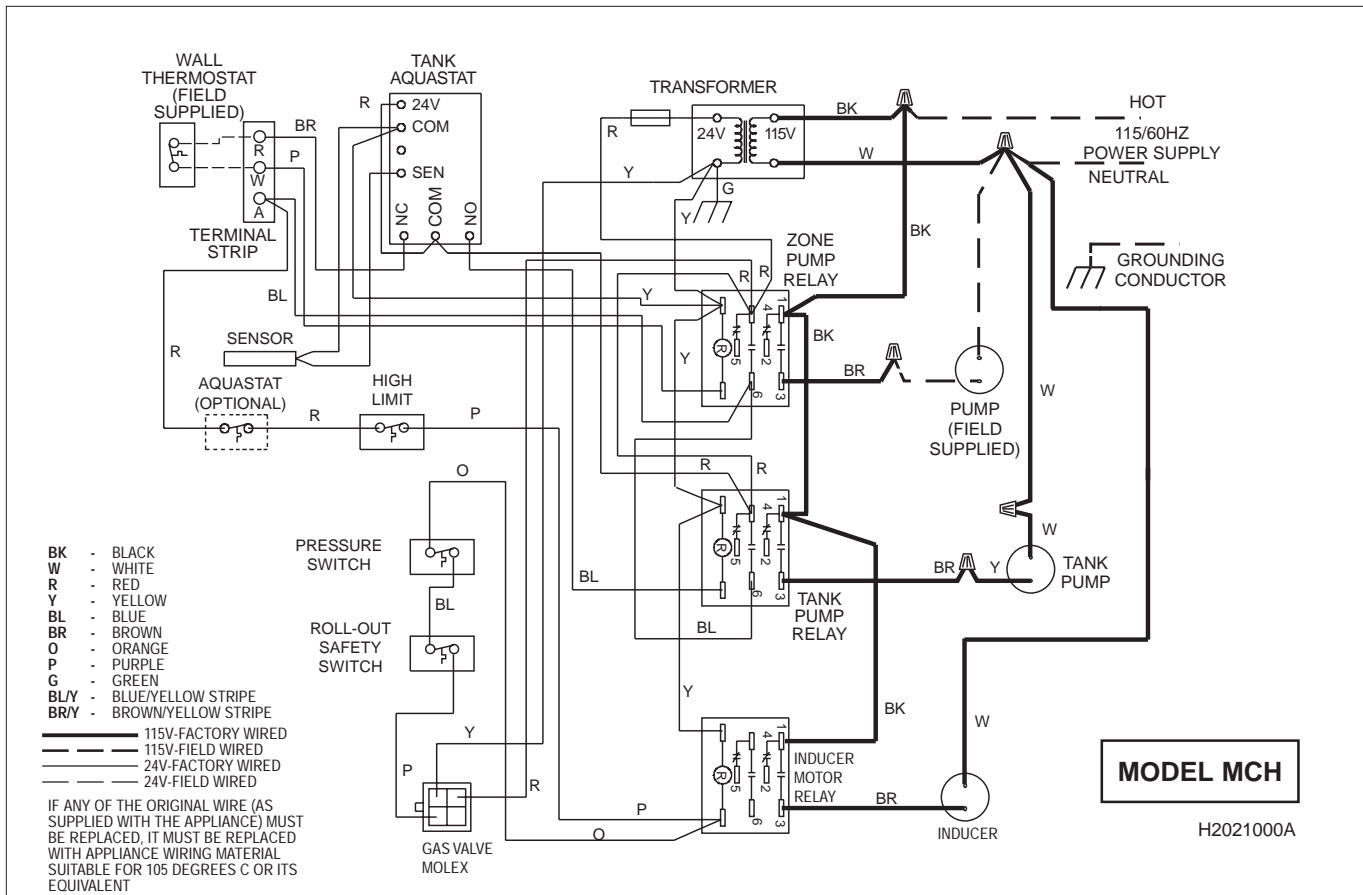


Figure 6. Wiring Diagram.

4. When water discharges from the faucet, close it. Check for system leaks and repair if necessary.
- Filling and connecting boiler pipes:
Consult the JV boiler manual, Document 1080.

⚠ WARNING

Electrical shock can cause severe personal injury or death. Disconnect power supply to the boiler before doing any electrical work.

⚠ Caution

Never use water heater/boiler unless it is completely filled with water.

2D. Wiring

Priority System: Under this wiring the storage tank will be supplied before space heating. This will insure that it gets adequate hot water flow from the boiler to maintain a fully rated delivery of domestic hot water.

⚠ Caution

In this priority mode, any demand for space heating is postponed until the storage water tank has reached set temperature. This delay in supplying the space heating zones is usually not noticed by the inhabitants of the living spaces. However, in the event of certain storage water tank malfunctions, space heating could be delayed indefinitely. If undetected and un-corrected, freezing damage to piping could result.

Electrical Connection (see Figures 5 and 6).

1. Remove the two screws attaching the front cover of the control box.
2. There are six wires coiled in the area on the right side of the control box, supplied with wire nuts: 2 black wires twisted together, 3 white wires twisted together, and a brown wire.
3. Follow the schematics in Figures 5 and 6. Remove the wire nut from the two black wires, and connect the hot lead from a 115 volt power supply to both wires. Secure the three wires in the wire nut.
4. The three white, neutral wires should be joined to the other neutral lead coming from the 115 volt power supply, and the neutral lead coming from the pump (space heating).
5. The brown wire attaches to the hot side of the space heating pump.

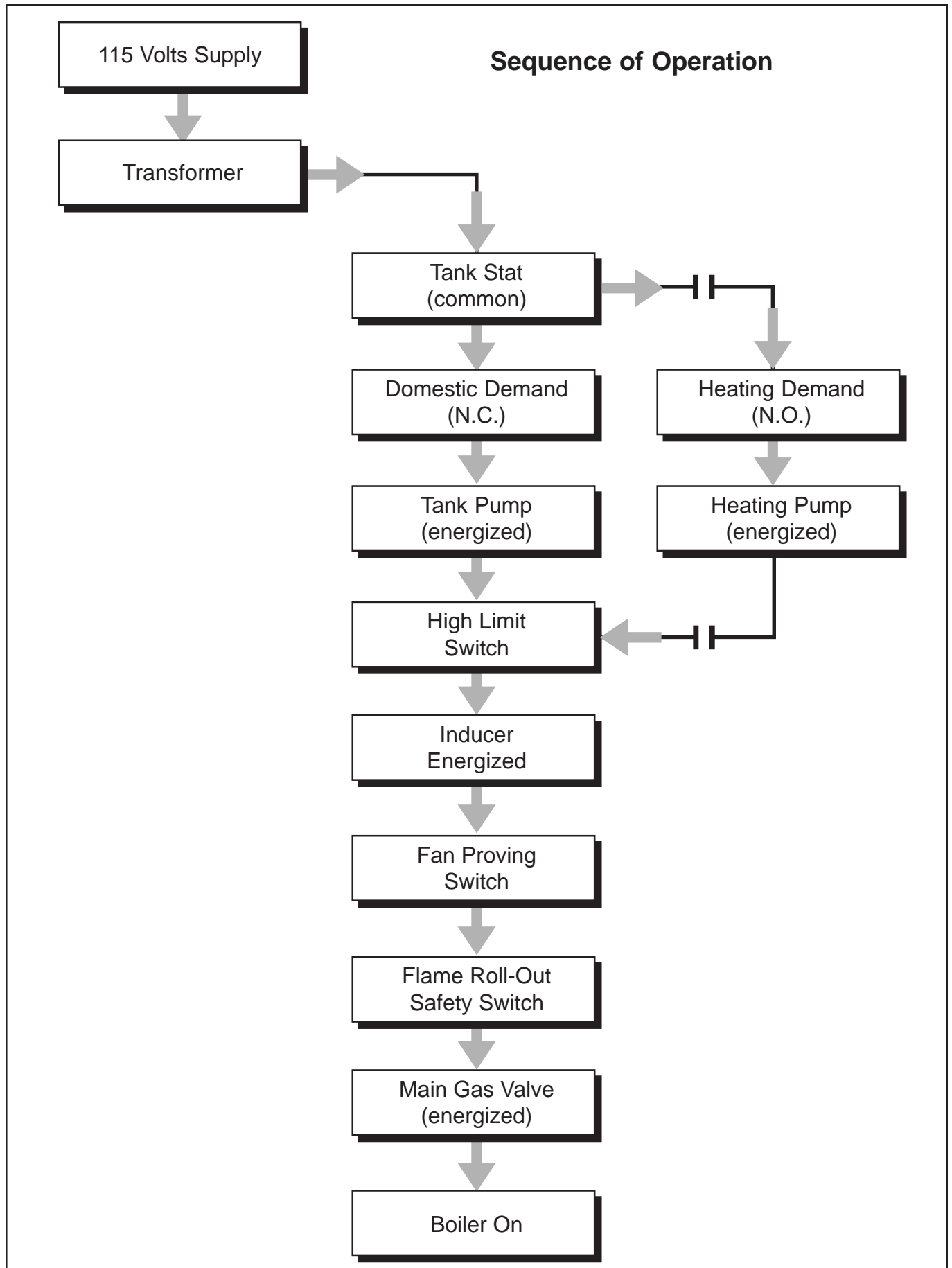


Figure 7. Sequence of Operation.

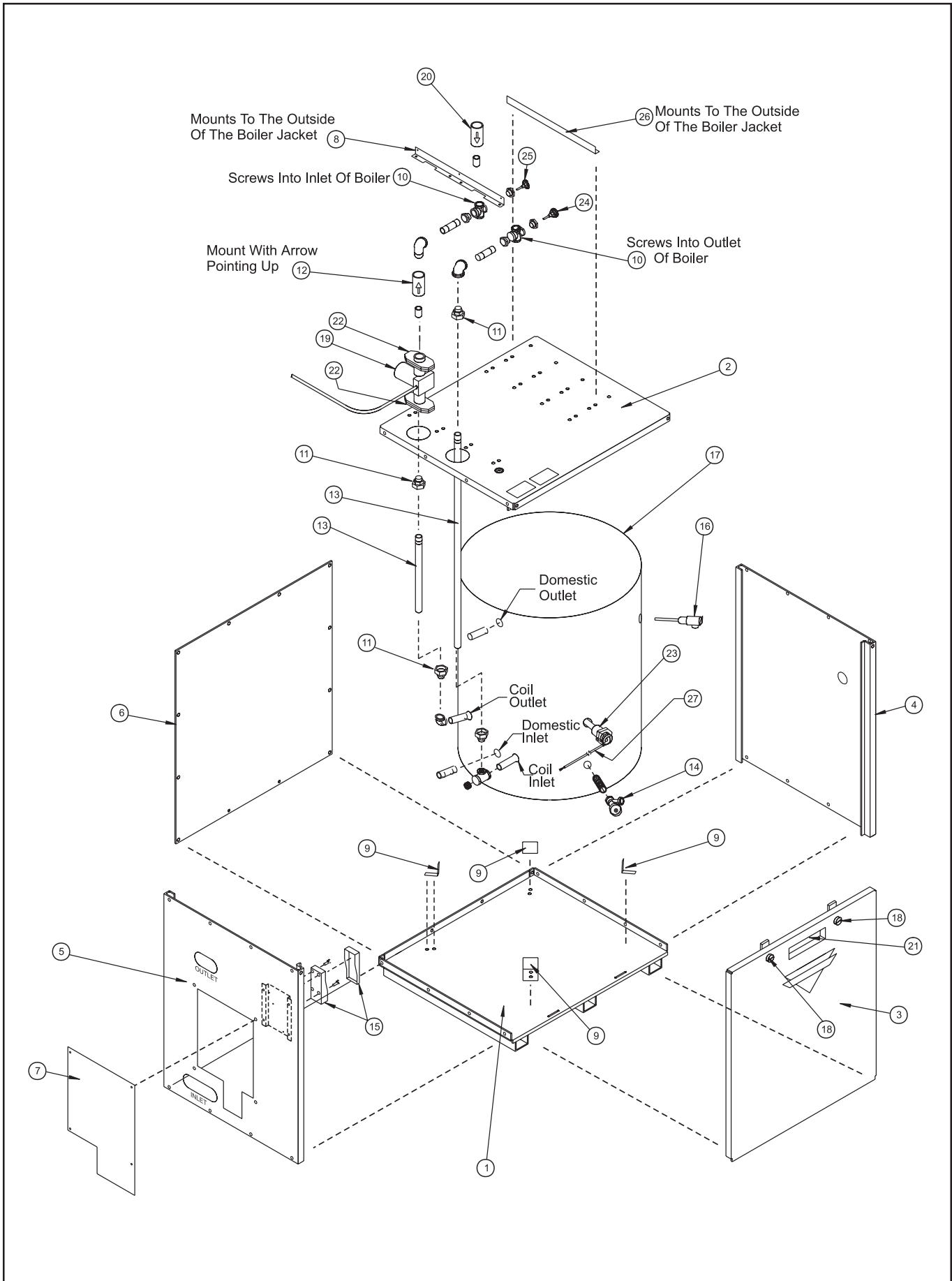


Figure 8. Parts Identification.

#	Qty	Part #	Description
1	1	20085700	Weldment, Panel, Base
2	1	20085600	Weldment, Panel, Top
3	1	20086300	Weldment, Panel, Door
4	1	20086400	Panel, Side, Right
5	1	20127900	Weldment, Panel, Side, Left
6	1	20085900	Panel, Rear
7	1	20086500	Panel, Access
8	1	20084000	Bracket, Mounting, Left
9	4	20085400	Bracket, Support, Tank
10	2	P2019200	Cross, Black Iron, 1¼" NPT
11	4	P2014800	Fitting, Brass Compression, 7/8" OD x ¾"
12	1	A2085600	Valve, Check, ¾" NPT
13	7.2ft	P2015000	Tubing, Copper, Type "L", 7/8" OD
14	1	A2085700	Valve, Drain, Tank, ¾" NPT
15	1	E0205000	Temperature Control, Electronic
16	1	A2085400	Valve, Relief, Temp & Pressure
17	1	A2085301	30 Gal. Water Tank, Double Wall HX
	1	A2085300	30 Gal. Water Tank, Single Wall HX
18	2	20087300	Door Latch Assembly
19	1	A0066500	Pump, Circulator
20	1	A2086600	Valve, Check, 1¼" NPT
21	1	A2087600	Handle, Door
22	2	A2086700	Flange, Pump, ¾" NPT
23	1	A2085900	Well, Immersion, ¾" NPT
24	1	A2000400	Gauge, Pressure/Temperature
25	1	A2000600	Gauge, Temperature
26	1	20084001	Bracket, Mounting, Right
27	1	E2103100	Sensor



parts **4** heating
800-536-1582 Fax: 866-448-9304
info@parts4heating.com