

Replacement Parts

IMPORTANT

1. Always include complete heater model and serial number so that any specification change can be considered for parts shipment. It can save time and expense.
2. Specifications are subject to change without notice.
3. We reserve the right to substitute functional replacements.
4. Order either by Kit or Component Part No.

Applies to: **Model OH and
Model OB Oil-Fired
Unit Heaters**



Model OH

Model OH has a fan for air delivery;
Model OB has a blower. Manufacture of
Model OB was discontinued April 2006.

Index

A	E	
Air Shutter 4	Electrical Components 3	Super Limit 3
B	Electrode Assembly 4	Louver Frame w/Horizontal Louvers 5
Backflow Sensor 3	Exhaust Box Cover 4	M
Belt 6	Exhaust Collar 4	Blower Motor 6
Belt Guard 7	F	Fan Motor 6
Blocked Vent Switch 3	Fan and Limit Control Assembly 3	Motor Mounting Bracket 7
Blower 6	Fan Blade Assembly 6	P
Blower Mounting 6	Fan/Blower Control 3	Paint 7
Bottom Back Filler 6	Fan Guard 6	Pump 3, 4
Bottom Inner Panel 5	Fan & Limit Control Access Panel 5	R
Bottom Outer Panel 5	Fan Panel 6	Rating Plate 2
Burner Assy 4	Front Panel 5	Relay 3
Burner Motor 4	G	Retention Head 4
Burner Panel Assy 5	Gasket for Inner Exhaust Box 4	S
Bushing 3	Gasket for Large Inner Access Door 4	Serial Number 2
C	Belt Guard 6	Service Tray 5
Cabinet Parts 5, 6	Inlet Guard 6	Blower Sheave 6
Cable Clamp 3	H	Motor Sheave 6
Cad Cell Detector and Eye 4	Heat Exchanger/Combustion Chamber 4	Switch 3
Combustion Air Blower Wheel 4	Hole Plug 5	T
Combustion Chamber 4	I	Terminal Block 3
Electrode/Transformer Connectors 4	Ignition Controller 4	Thermostat 3
Corner Post 5, 6	Inlet Guard 7	Top Back Filler 6
Coupling 4	J	Top Inner Panel 5
D	Junction Box 3	Top Outer Panel 5
Combustion Chamber Door Assembly 5	L	Transformer 4
Inner Access Door 4	High Limit 3	Tray 5
Door Latch Kit 5		Turning Box End 6
Door Stop 5		V
Draft Regulator 5		Valve 3

ADDITIONAL REFERENCES:

- Installation Form I-OH/OB, Models OH and OB
- Replacement Parts for Reznor® Used Oil-Fired Models RA, RAD, and RV, Form P-RA/RAD/RV

Rating Plate and Serial Nos.

Sample of a Rating Plate

REZNOR®
MERCER, PA., U.S.A. 16137
MADE IN MEXICO
OIL FIRED UNIT HEATER
 CSA CERTIFIED TO CSA/CAN B140.4 1974
 FOR INDUSTRIAL/COMMERCIAL USE ONLY
 FOR USE WITH INTEGRAL GROUP 1 OR 2 PRIMARY SAFETY CONTROLS
 MODEL [A] OIL NOT HEAVIER THAN NO.2
 SERIAL NO. [B] HP
 USE COPPER CONDUCTORS ONLY
 115 VOLTS 1 PH 60 HZ [C] AMPS
 MINIMUM CIRCUIT AMPACITY [D] AMPS
 MAXIMUM UNIT FUSE [E] AMPS
 TYPE OF OIL [F]
 FIRING RATE [G] G.P.H.
 INPUT [H] BTU/HR
 THERMAL OUTPUT CAPACITY [I] BTU/HR
 NOZZLE TYPE; DELEVAN [J] G.P.H. [K] DEGREES TYPE B
 OIL PUMP PRESSURE [L] PSIG
 MAXIMUM OVERFIRE PRESSURE [M] IN.W.C.
 EXTERNAL STATIC PRESSURE [N] IN.W.C.
 FLUE OUTLET PRESSURE RANGE (DRAFT) [O] IN.W.C.
 BURNER PART NUMBER [P] BECKETT

THIS UNIT IS FOR INSTALLATION SUSPENDED FROM A CEILING WITH CLEARANCES TO COMBUSTIBLES MATERIALS NO LESS THAN.
 TOP - [Q] BOTTOM - 6" SIDES - 18"
 REAR - [R] FRONT - 48" FLUE PIPE - 18"
 IN CANADA, REFERENCE CSA B139-M91 FOR INSTALLATION IN GARAGES, ETC.
 IN USA, INSTALL UNIT IN ACCORDANCE WITH THE FOLLOWING STANDARDS;
 ANSI/NFPA 409-1990 FOR AIRCRAFT HANGARS
 ANSI/NFPA 88A-1991 FOR PARKING STRUCTURES
 ANSI/NFPA 88B-1991 FOR REPAIR GARAGES
 THIS UNIT [S] WITH AIR DUCTS
 THIS UNIT IS NOT FOR USE WITH AIR FILTERS.

Rating Plate Key:

- A = Model and Size**
- B = Blower Motor HP**
- C = Input Amps**
- D = Minimum Circuit Ampacity (Amps)**
- E = Maximum Unit Fuse (Amps)**
- F = Fuel Type (No. 2 Oil)**
- G = Firing Rate (GPH)**
- H = Normal BTUH Input (sea level)**
- I = Thermal Output BTUH (sea level)**
- J = Nozzle Type (Delevan GPH)**
- K = Nozzle Spray Angle (Degrees)**
- L = Oil Pump Pressure (PSIG)**
- M = Maximum Overfire Pressure (" w.c.)**
- N = External Static Pressure (" w.c.)**
- O = Flue Outlet Draft (" w.c.)**
- P = Burner P/N (Beckett)**
- Q = Top Clearance (inches)**
- R = Side Clearance (inches)**
- S = Used or Not Used with Air Ducts**

Serial No. Decoding

Example: **BEA 140 0000 B**
 1 2 3 4

Code:

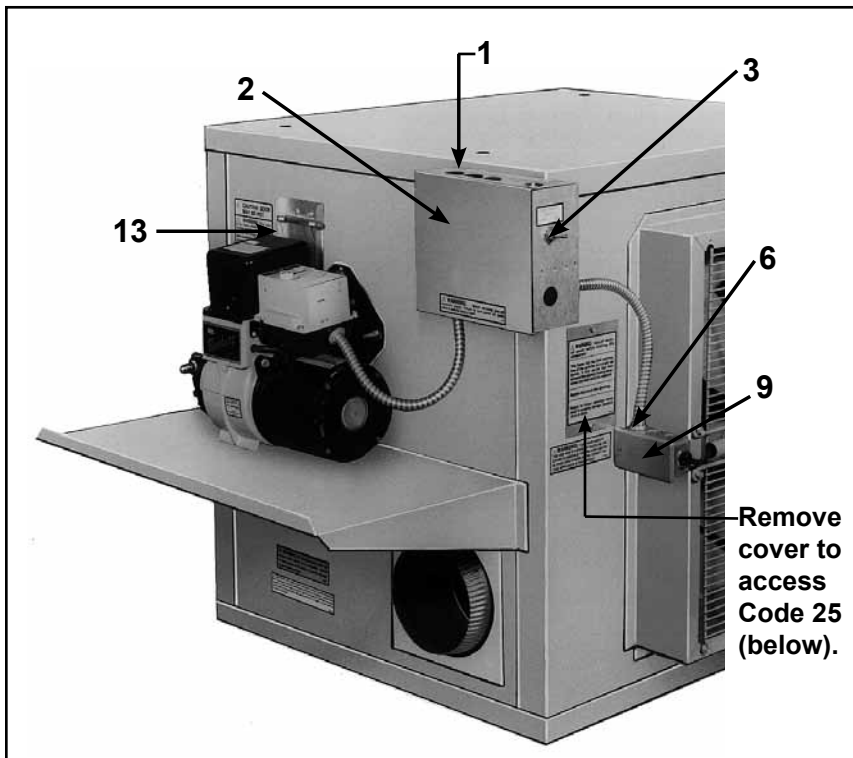
- 1 = Date of manufacture (see chart below)**
- 2 = Size (BTUH input)**
- 3 = Consecutive number**
- 4 = Manufacturing designation for oil-fired Models OH and OB**

First Element of the Serial Number - Date of Manufacture

Year	Jan	Feb	Mar	Apr	May	June	July	Aug	Sept	Oct	Nov	Dec
1992	ARA	ARB	ARC	ARD	ARE	ARF	ARG	ARH	ARI	ARJ	ARK	ARL
1993	ASA	ASB	ASC	ASD	ASE	ASF	ASG	ASH	ASI	ASJ	ASK	ASL
1994	ATA	ATB	ATC	ATD	ATE	ATF	ATG	ATH	ATI	ATJ	ATK	ATL
1995	AUA	AUB	AUC	AUD	AUE	AUF	AUG	AUH	AUI	AUJ	AUK	AUL
1996	AVA	AVB	AVC	AVD	AVE	AVF	AVG	AVH	AVI	AVJ	AVK	AVL
1997	AWA	AWB	AWC	AWD	AWE	AWF	AWG	AWH	AWI	AWJ	AWK	AWL
1998	AXA	AXB	AXC	AXD	AXE	AXF	AXG	AXH	AXI	AXJ	AXK	AXL
1999	AYA	AYB	AYC	AYD	AYE	AYF	AYG	AYH	AYI	AYJ	AYK	AYL
2000	AZA	AZB	AZC	AZD	AZE	AZF	AZG	AZH	AZI	AZJ	AZK	AZL
2001	BAA	BAB	BAC	BAD	BAE	BAF	BAG	BAH	BAI	BAJ	BAK	BAL
2002	BBA	BBB	BBC	BBD	BBE	BBF	BBG	BBH	BBI	BBJ	BBK	BBL
2003	BCA	BCB	BCC	BCD	BCE	BCF	BCG	BCH	BCI	BCJ	BCK	BCL
2004	BDA	BDB	BDC	BDD	BDE	BDF	BDG	BDH	BDI	BDJ	BDK	BDL
2005	BEA	BEB	BEC	BED	BEE	BEF	BEG	BEH	BEI	BEJ	BEK	BEL
2006	BFA	BFB	BFC	BFD	BFE	BFF	BFG	BFH	BFI	BFJ	BFK	BFL
2007	BGA	BGB	BGC	BGD	BGE	BGF	BGG	BGH	BGI	BGJ	BGK	BGL
2008	BHA	BHB	BHC	BHD	BHE	BHF	BHG	BHH	BHI	BHJ	BHK	BHL
2009	BIA	BIB	BIC	BID	BIE	BIF	BIG	BIH	BII	BIJ	BIK	BIL
2010	BJA	BJB	BJC	BJD	BJE	BJF	BJG	BJH	BJI	BJJ	BJK	BJL
2011	BKA	BKB	BKC	BKD	BKE	BKF	BKG	BKH	BKI	BKJ	BKK	BKL
2012	BLA	BLB	BLC	BLD	BLE	BLF	BLG	BLH	BLI	BLJ	BLK	BLL
2013	BMA	BMB	BMC	BMD	BME	BMF	BMG	BMH	BMI	BMJ	BMK	BML
2014	BNA	BNB	BNC	BND	BNE	BNF	BNG	BNH	BNI	BNJ	BNK	BNL
2015	BOA	BOB	BOC	BOD	BOE	BOF	BOG	BOH	BOI	BOJ	BOK	BOL
2016	BPA	BPB	BPC	BPD	BPE	BPF	BPG	BPH	BPI	BPJ	BPK	BPL
2017	BQA	BQB	BQC	BQD	BQE	BQF	BQG	BQH	BQI	BQJ	BQK	BQL
2018	BRA	BRB	BRC	BRD	BRE	BRF	BRG	BRH	BRI	BRJ	BRK	BRL
2019	BSA	BSB	BSC	BSD	BSE	BSF	BSG	BSH	BSI	BSJ	BSK	BSL
2020	BTA	BTB	BTC	BTD	BTE	BTF	BTG	BTH	BTI	BTJ	BTK	BTL

**Electrical
Components -
Models OH and OB**

Code	Description	P/N
1	Main Electrical Control Box	119810
2	Electrical Box Cover	119812
3	Main Control Switch, DPST 20A, Cutler Hammer #7630K40	104840
4	Draft Booster Relay Kit (Same as Option DH1) - includes wiring, relay, hardware, and instructions	110780
4A	Draft Booster Relay only for unit mfgd before 08/1201, order Replacement Kit 263530 Draft Booster Relay only for unit mfgd after 08/2011, order relay P/N 102385	
5	Open/Closed Bushing, Heyco #0CB-562	98394
6	Cable Clamp, 1/4", Heyco #3324	52961
7	Dart Fastener, TRW #PC47307EV2001	101798
8	Terminal Block	144972
9	Blower /Fan Junction Box 2x4, Steel City #5836	17782
10	Strain Relief, Heyco #SR-6N3-4	100393
11	Strain Relief, 90°F, Heyco #SR-20-1	96449
12	Adapter, Heyco #7572	107165
13	Blocked Vent (Backflow Sensor) Switch (CSA units only) Open 275°F	121275
14	Blocked Vent Switch Gasket	121341
15	Oil Safety Valve, Suntec #PRV-38 (Option DC1)	50350
16	Oil Burner Solenoid Valve, GC #K271FA312C5 (Same as Option DD1)	43487
17	Oil Booster Pump (30GPH), Sunstrand #BH-1030M (Same as Option DA1)	37862
18	Oil Booster Pump (70GPH), Sunstrand #BH-1070M (Same as Option DA21)	37863
19	Booster Pump Pressure Switch, Sunstrand #128117 (Same as Option DF1)	37864
20	Thermostat, Honeywell #T87F3665 (Option CL1)	39581



Code 4 - Draft Booster Relay Assembly (Same as Option DH1)

Code 13 - Backflow Sensor Switch (CSA Units only beginning 1/06) - located at the flame view port

Code 20 - Thermostat
1-stage, 24 volt, 50-90°F, P/N 255350 (Same as Option CL1)

Code 25 - Fan and Limit Control Assembly

NOTE: Temperature settings on the current replacement fan control are different from the previous control. Because of a change in construction of the switch, however, these controls will perform a nearly identical control function.

Code	Description	95	140	190
25	Fan and Limit Control Assembly (includes plate and all controls)	123977 (replaces 120679)	123973 (replaces 104837)	123973 (replaces 104837)

Fan/Blower Control, P/N 146465

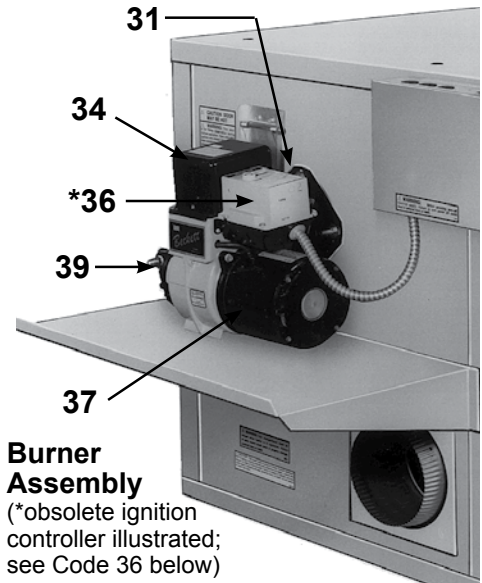
Super Limit, P/N 106845

Circulating Air High Limit - Size 95, P/N 120680; Sizes 140 and 190, P/N 106847

Mounting Plate

Burner - Models OH and OB

Code	Description	Size			
		95	140	190	
30	Burner Assy 115V (includes Codes 31-46)	207493	207494		
31	Burner Assy Gasket, Beckett #3416	103420			
32	Combustion Air Blower Wheel	41599			
33	Electrode Assembly	59449			
34	Transformer w/Gaskets & Electrode Connectors	220615			
34A	Electrode/Transformer Connectors only (spring-type)	(2) 97033			
35	Cad Cell Detector and Eye	123195			
36	Ignition Controller	262700 (replaces 41604)			
37	Burner Motor	41598			
38	Coupling	41600			
39A	Burner Pump, 1-stage, Beckett 2460	131460			
39B	Burner Pump, 2-stage, Beckett 2583	41601			
**40	Air Shutter	41592			
**41	Air Band	41593			
**42	Connector Tube Assembly	41602			
**43	Air Tube	41607			
**44	Flange	41595			
45	Retention Head	45891	146467	50786	
46	*** Nozzle, Delavan	Units manufactured prior to 6/96	32437	120068	120069
			0.85x80B	1.25x90B	1.65x90B
		Units manufactured beginning 6/96	32437	146816	146815
			0.85x80B	1.25x70B	1.35x70B

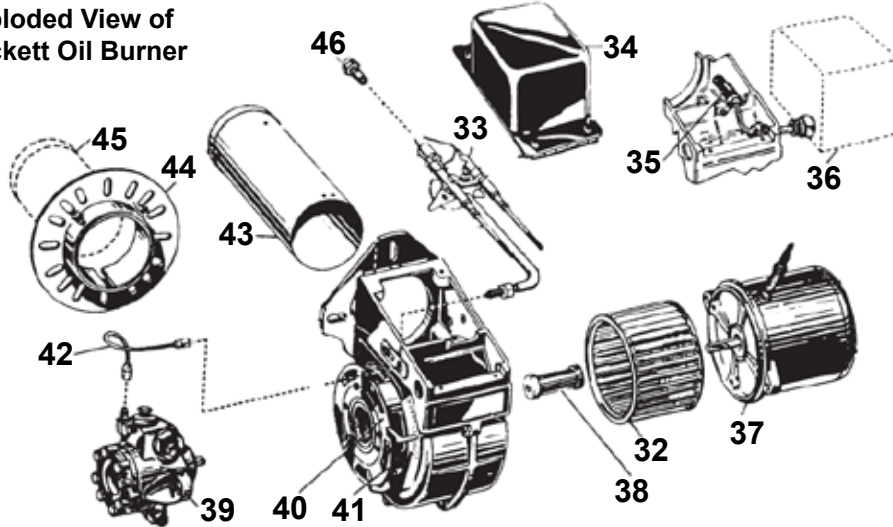


Burner Assembly
(*obsolete ignition controller illustrated; see Code 36 below)

** Not stocked at Mercer

*** Always check the nozzle for size and replace with identical nozzle.

Exploded View of Beckett Oil Burner



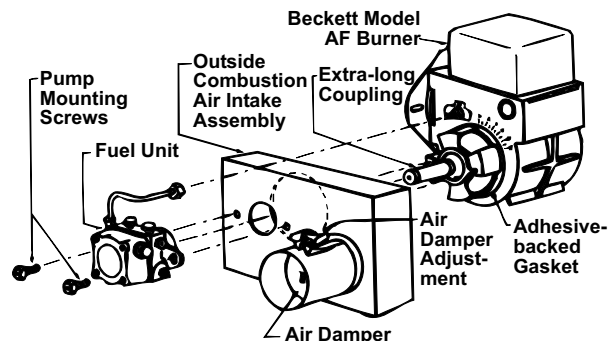
Code 35 - Cad Cell Detector and Eye, P/N 101932



Code 36 - Ignition Controller, P/N 262700



Code 47 - Outside Combustion Air Adapter Kit, P/N 40274 (Same as Option DE1)
NOTE: Not available in Canada



Heat Exchanger/Combustion Chamber - Models OH and OB

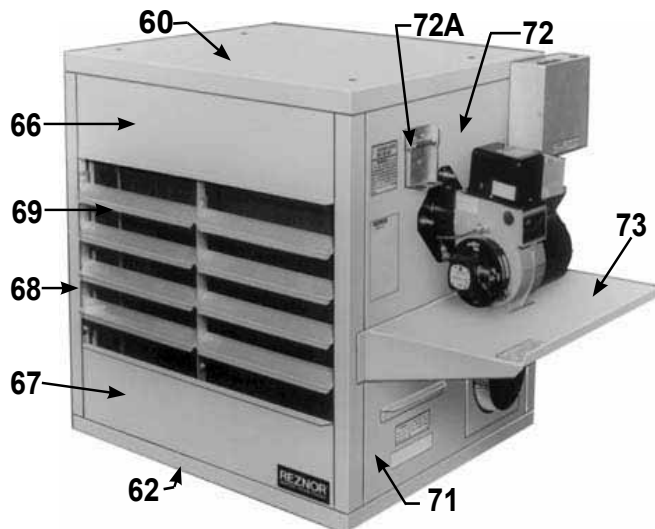
Code	Description	Size		
		95	140	190
50	Ht Exchanger/Combustion Chamber Assy (includes 50A-F)	120750	104763	104763
50A	Large Inner Access Door	115140	115140	115140
50B	Replacement Gasket for Large Inner Access Door	120057	120057	120057
50C	Exhaust Collar Plate Assembly	119367	115144	115144
50D	Inner Exhaust Box Cover	115150	115150	115150
50E	Replacement Gasket for Inner Exhaust Box	115151	115151	115151
50F	Viewport Tube Assembly (not illustrated)	104761	104761	104761



Cabinet Parts for both Model OH (fan) and Model OB (blower)

Code	Description	Qty	Size		
			95	140	190
60	Cabinet Top Outer Panel	1	104741		
61	Cabinet Top Inner Panel (not illustrated)	1	104738		
62	Cabinet Bottom Outer Panel	1	104741		
63	Cabinet Bottom Inner Panel only (not illustrated)	1	104738		
64	Heat Exchanger Support (not illustrated) attached with screws to Code 63	2	104736		
65	Door Stop (not illustrated) attached with screws to Code 63	2	104753		
66	Top Front Panel	1	104747		
67	Bottom Front panel	1	104747		
68	Front Corner Post	2	104743		
69	Louver Frame w/Horizontal Louvers (Optional Vertical Louvers, see page 7)	2	94857		
70	Center Louver Frame with Horizontal Louvers (not illustrated)	1	N/A	104836	
71	Outer Exhaust Access Door Assembly including insulation	1	115153		
72	Burner Panel Assy including insulation (both include a CODE 72A) - CSA panel includes backflow sensor CODE 13, page 3.	1	107128 - UL only		
		1	147242 - CSA only		
72A	View Port Cover and Bracket Assembly View Port Cover and Bracket Assembly with Backflow Sensor (CODE 72)	1	104768 - UL only		
		1	147352 - CSA only		
73	Service Tray -attached with rivets, units manufactured before 5/95	1	104757		
	Service Tray - attached with screws, units manufactured beginning 5/95	1	140866		
74	Outer Combustion Chamber Door Assembly including insulation	1	115155		
75	Fan & Limit Control Access Panel (illustrated in rear view, top of page 6)	1	194565		
76	Draft Regulator (Opt DB1 - required in Canada; same or equivalent required in U.S.)	1	37865, 7"	37866, 8"	
77	Door Latch Kit		124067		
78	Hole Plug for Corner Leg, Heyco #437-2633		141747		

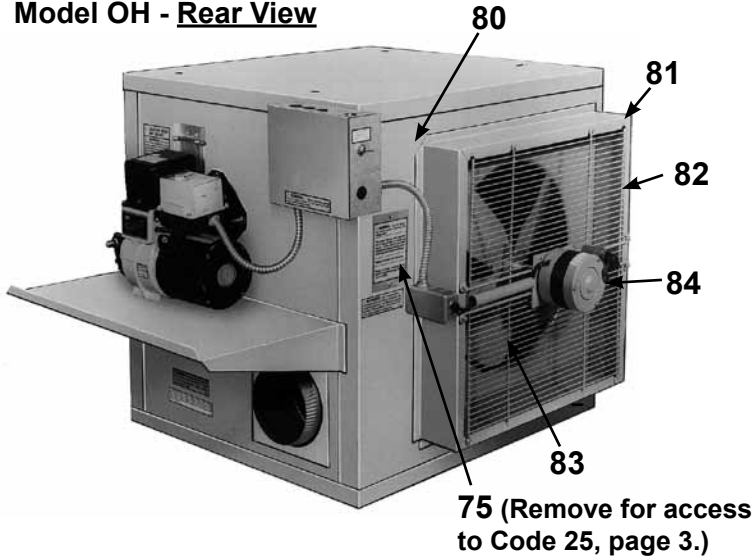
Model OH or OB - Front view



Cabinet Parts and Fan Components for Model OH

Code	Description	Size		
		95	140	190
80	Fan Panel (includes corner posts)	104744	104745	
81	Fan Guard Mount Assembly	104823		
82	Fan Guard Assembly	104818		
83	Fan Blade Assembly (See diagram below for spacing.)	125564 , 18"-33, Lau #F0 7HO 1729	96383 , Lau #F20, H8.7 22-36,	
84	Fan Motor	102380 , 1/8HP A.O.Smith 322P986	137044 , 1/4 HP, F48AE65A13	

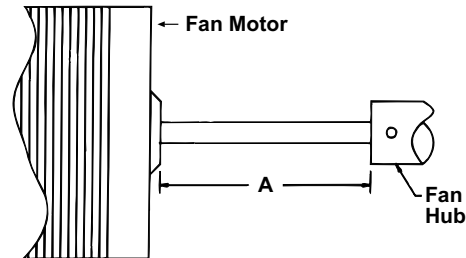
Model OH - Rear View



Turning Box End of Model OH



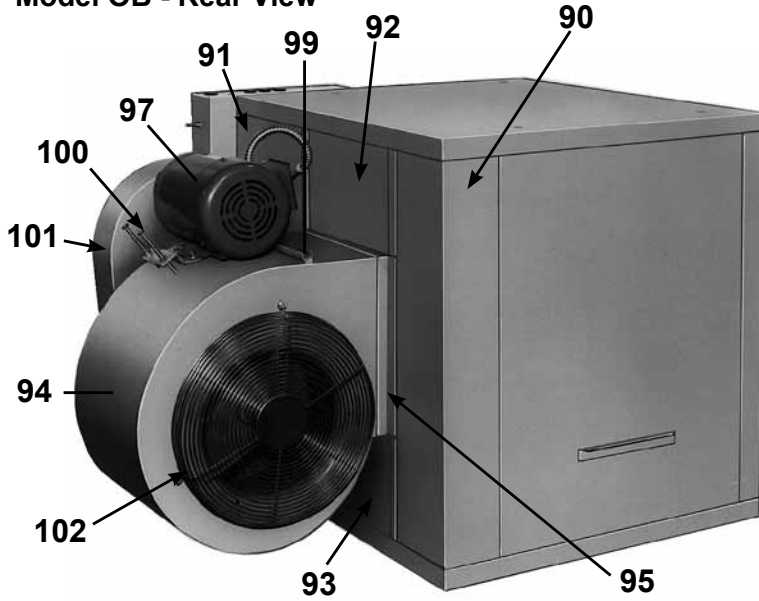
Model	Fan Blade	P/N	Set Screw	"A"
OH95	Lau #F07H01729	125564	80 ± 10	2-7/8" (73mm)
OH140	Lau #F10 H8.7 22-36	98383	150 ± 15	3-1/2" (89mm)
OH190	Lau #F10 H8.7 22-36	98383	150 ± 15	3-1/2" (89mm)



Cabinet Parts and Blower Components for Model OB

Code	Description	Qty	95	140	190
90	Corner Post Assembly (left rear corner)	1	107166		
91	Blower Post Assembly (right rear corner)	1	107167	107168	
92	Top Back Filler Panel	1	104795	104796	
93	Bottom Back Filler Panel	1	104795	104797	
94	Blower (including blower housing, wheel, shaft, bearings, motor mounting bracket)	1	100657 , Lau A12-9ACD	100658 , Lau A15-11ACD	
95	Blower Mounting Angle	2	100889	100889	100889
96	Blower Sheave (not illustrated)	1	116402 , Browning #AL-104 x 1"	116401 , Browning #AL-94 x 1"	116400 , Browning #AL-84 x 1"
97	Blower Motor	1	31273 , 1/2 HP, Century #8-15917001		115860 , 3/4 HP, Century #F353
98	Motor Sheave (not illustrated)	1	7962 , Browning #1VL40-5/8"	13580 , Browning #1VL34-5/8"	
99	Motor Mounting Bracket		102533	102534	
100	Motor Adjustment Bracket Assy Package		44411		
101	Belt Guard Assembly	1	193975		
102	Blower Inlet Guard	1	102475		
103	Belt (not illustrated)	1	6187 , Browning #4L520	65404 , Browning #A51	88558 , Browning #A50
104	Hardware Bag for Blower (includes rubber feet and motor mounting hardware)		64940		
105	Blower Key, 1/4" sq x 1-1/4" square	1	16099		

Model OB - Rear View



Code 99 - Motor Mounting Bracket



Code 100 - Motor Adjustment Bracket Assembly

5/16-18 x 4" lg Hex Head Bolt

5/16-18 Lock Nut

5/16-18 Hex Nut

Rubber Grommet

5/16-18 x 3/4" lg Square Head Bolt

Code 104 - Rubber Feet and Motor Mounting Hardware



Code 101 - Belt Guard Assembly



Code 102 - Blower Inlet Guard



Miscellaneous

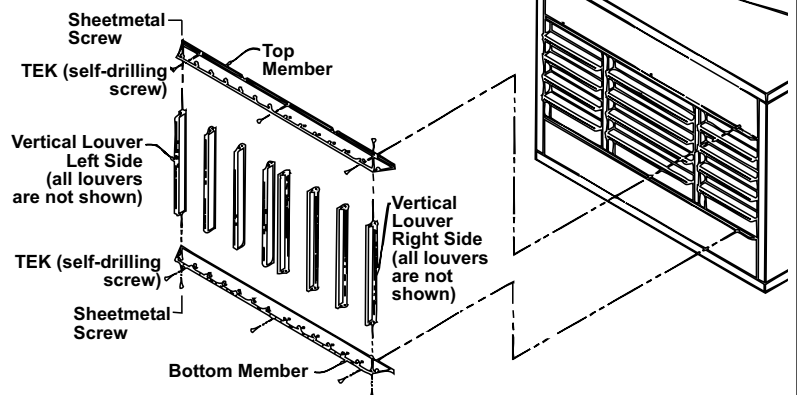
Code	Description	P/N	
110	Touchup Paint, 10 oz spray can, tawny beige	37919	
111	Touchup Paint, 12 oz can, maroon (louvers)	207432	
112	Hanger Kit Swivel Connections, 1/2" (Same as Option CK10)	134476	
	Hanger Kit Swivel connections, 3/8"- for units manufactured prior to 1994	98511	
113	Vertical Louvers (Same as Option CD1)	Size 95 - 121858	Sizes 140 & 190 - 121859
114	Oil Tank, 250-gallon, bench-type tank	Model OT250 - page 8	
115	Oil Tank Stand (Same as Option ST1) for Model OH	202829 - See page 8.	

Code - 112 - Hanger Kit (Same as Option CK10)

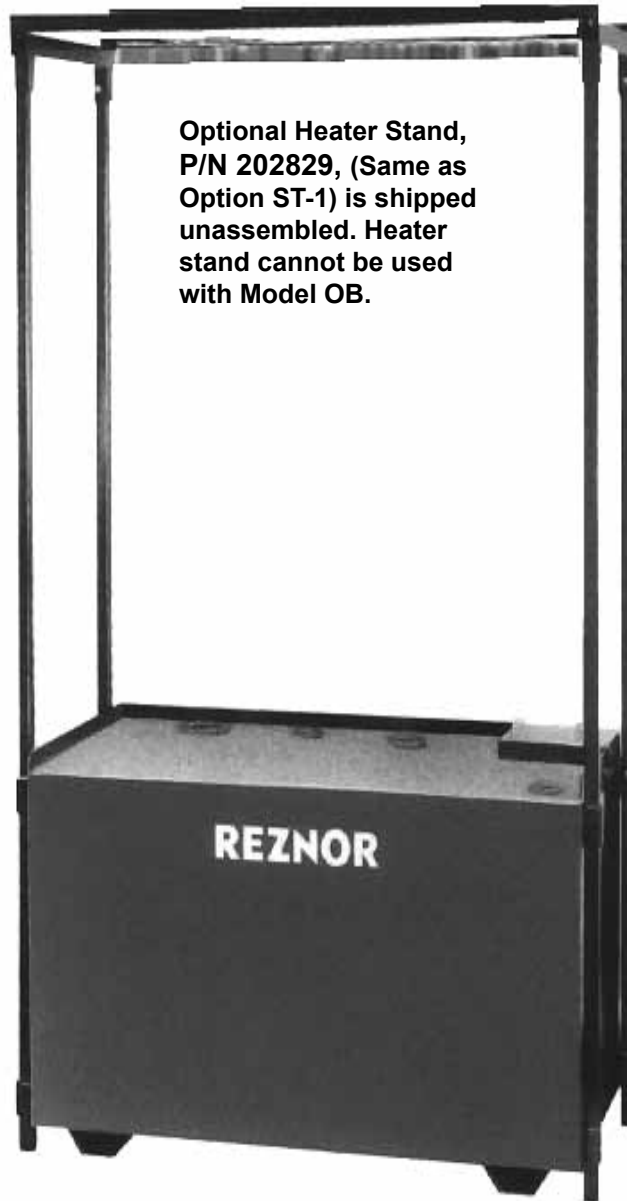


Code 113 - Optional Vertical Louvers (Same as Option CD1)

Code	Package P/N	Size			
		95		140/190	
		Qty	P/N	Qty	P/N
113A	Top and Bottom	2	119859	2	119860
113B	Vertical Louvers	10	95937	14	95937
113C	Sheetmetal Screws	20	11813	28	11813
113D	Self-drilling Screws	4	37661	6	37661



Code 114 - Model
OT250, 250 gallon
Workbench Fuel Tank,
shown with Code 115 -
Optional Heater Stand,
P/N 202829, (Same as
Option ST-1)



Optional Heater Stand,
P/N 202829, (Same as
Option ST-1) is shipped
unassembled. Heater
stand cannot be used
with Model OB.

Model OT250 Fuel
Tank (may be used
with either Model
OH or OB heater)

www.RezSpec.com

800-695-1901

©2013 Thomas & Betts, All rights reserved.

Trademark Note: Reznor® is registered in at least the United States.
4/13 (Serial No. Date Code BMD) Form P-OH (Version B)

Thomas & Betts
A Member of the ABB Group

Form P-OH/, P/N272437, Page 8