

Applies to: Replacement Parts for Model Series RG, RP, HRPD, RGB, RPB, RGBL, RPBL, RPDBL, PGBL, RBA, RBHA, and RBL (including prefixes "C", "H", and "HC")

IMPORTANT

1. Always include complete heater model and serial number so that any specification change can be considered for parts shipment. It can save time and expense.
2. Specifications are subject to change without notice.
3. We reserve the right to substitute functional replacements.
4. Order by Part No.; not Heater Option Designation.

Index

- B**
 Bearing 22, 43
 Bearing Support 21
 Blower 20, 21
 Model RBL/RBA/RBHA Blower Cabinets 43, 44
 Burner Rack 16
- C**
 PGBL Furnace Cabinet 13
 RG Cabinet and Flue Box Parts 12
 RP Cabinet and Collection Box Parts 14
 Cabinet Connector & Filler Parts for Multiple Furnaces 12, 14
 Cabinet Parts for "BL" Type Blower Cabinet 20
 Cabinet Parts for "B" Type Blower Cabinet 19
 Certification 3
 Combustion Air Pressure Switch 6
 Packaged System Configurations 4
 Contactor 7, 9
 2-Stage Controller 6
 Mixed Air Controller 23
 Cooling Coil Cabinet 40
 Roof Curbs 42
- D**
 Discharge Damper and Controls 42
 Damper Linkage 24, 25, 26
 Dampers and Controls 22
 DDC Control 11
 Disconnect Switch 39
 Door Latch Kit 19, 21, 44
 Downturn Plenum 42
 Drives - Model RBHA 36
 Drives - Model Series (H)(C)RGB, (H)(C)RPB, and Model RBA 31
 Drives - Model Series RGBL, RPBL, PGBL and RBL 34
 Ductstat 6, 8

- E**
 Electrical Component Locations 6
 Electrical Components 8
- F**
 Fan Control 6
 Dirty Filter Pressure Switch 6
 Filter Rack 21
 Filters 37
 Firestat 8
 Flue Collar Assembly 12
 Flue Collection Box 12, 13, 14
 Freezestat 8
 Freezestat, Auto Reset 6
 Fuse 7, 9
- G**
 Gas Pressure Switch 6
 Gas Valve - See Form P-VALVES
 Gear Motor Kit 15
- H**
 Heat Exchanger 16
 Outside Air Inlet Hood 40
- I**
 Ignition Controller 6, 8
 Interface Module 23
- L**
 Limit 10
 Reverse Flow Limit 10
 Limit Control 6, 9
 Line Voltage 5
- M**
 Manifold 16
 Special Manifolds 18
 Blower Motor 27, 28, 30
 Gear Motor AG39,40,41,42 15
 Motor Adjustment Bracket 20, 43
 Motor Mounting Bolts 22, 43
 Motor Mounting Plate 20, 43
- O**
 Orifice 17
 Convenience Outlet 7, 9
 Overload 27, 29

- P**
 Replacement Parts Tag 2
 Pilot 11
 Potentiometer 7, 10, 23
- R**
 Rating Plate 2
 References 1
 Carryover Regulator 17
 Relay 10
 Time Delay Relay 6, 9
 Relay Chart 5
 Remote Console 39
- S**
 Sensor 8
 Serial Number 3
 Heat Shields 9
 Holding Coils for IEC Starters 30
 Starters 7, 27, 28, 30
 Air Proving Switch 7
 Auxiliary End Switch 23
 Blower Air Flow Switch 10
 Combustion Air Switch 8
 Gas Pressure Switch 9
 Pressure Null Switch 23
 Pressure Switch 9
 Toggle Switch 11
- T**
 Temperature Control 9
 Temperature Controller 7
 Terminal Blocks 7
 Thermostats 39
 Transformer 5, 10
- V**
 Manual Gas Valves 17
 Variable Frequency Drives 27
 Vertical Vent Kit 14
 Vent Cap 12
 Vent Cap Extension 13
 Venter Motor 13, 15
 Vent Limiter 9
- Z**
 "Z" Baffle 13

Duct Furnace Models



Packaged Models



Blower Cabinets




* Model is no longer being manufactured.

References (Download these forms at www.RezSpec.com):

| Subject..... | Form |
|---|--------------|
| Installation/Operation - Model Series RPBL Packaged Systems | I-SSCBL/RPBL |
| Installation/Operation - Model Series RP and HRPD Duct Furnaces..... | I-RP/HRPD |
| Installation/Operation - Model Series RPB Packaged Systems | I-RPB |
| Installation - Model RBL Blower Cabinet..... | I-RBL |
| Limited Warranty | W |
| Replacement Components for Optional Evaporative Cooling Modules..... | P-REC |
| Replacement Gas Valves, Ignition Controllers, & Maxitrol Components for Modulation Gas Controls (Options AG 7, 8, 9, 21, 39, 40, 41, & 42)..... | P-VALVES |
| Converting to Other Gases..... | CP-GC |

Duct Furnace Rating Plate

| | | | | | | | | | | | | | | | | | | | | | | | | | | |
|--|-----------|---|--|-----------|---------------|--------------|-------|---------------|-----------------|-------|---------------|------------------------------------|-------|---------------|--------------------------|-------|----------|---|-------|----------|---------------------------------|--|--|---------------------------------|--|--|
| REZNOR MERCER, PA. USA 16137 | |  | | | | | | | | | | | | | | | | | | | | | | | | |
| Made in Mexico | | | | | | | | | | | | | | | | | | | | | | | | | | |
| DUCT FURNACE CATEGORY I FOR INDUSTRIAL/COMMERCIAL USE ONLY ANSI Z83.8 [AA]-[A] CGA 2.6 [AA']-M [A'] DUCT FURNACE MODEL [B] [C] SERIAL NO. [D] [E] VOLTS [E] PH [E] HZ MAXIMUM TOTAL INPUT [E] AMPS TYPE OF GAS: [F] [G] ORIFICE SIZE [J] DRILL HAS BEEN FACTORY ADJUSTED FOR USE AT [H] FEET [I] METERS OF ALTITUDE. <table style="width: 100%; border: none;"> <tr> <td></td> <td style="text-align: center;">SEA LEVEL</td> <td style="text-align: center;">ALT. ADJUSTED</td> </tr> <tr> <td>NORMAL INPUT</td> <td style="text-align: center;">[R]</td> <td style="text-align: center;">[K] BTU/HR.</td> </tr> <tr> <td>OUTPUT CAPACITY</td> <td style="text-align: center;">[S]</td> <td style="text-align: center;">[L] BTU/HR.</td> </tr> <tr> <td>MINIMUM INPUT (2.M, MB, MV MODELS)</td> <td style="text-align: center;">[T]</td> <td style="text-align: center;">[M] BTU/HR.</td> </tr> <tr> <td>NORMAL MANIFOLD PRESSURE</td> <td style="text-align: center;">[N]</td> <td style="text-align: center;">IN. W.C.</td> </tr> <tr> <td>MIN. PERMISSIBLE GAS SUPPLY PRESSURE FOR PURPOSE OF INPUT ADJUSTMENT.</td> <td style="text-align: center;">[O]</td> <td style="text-align: center;">IN. W.C.</td> </tr> <tr> <td>MAXIMUM THROUGHPUT [P] C.F.M.</td> <td></td> <td></td> </tr> <tr> <td>MINIMUM THROUGHPUT [Q] C.F.M.</td> <td></td> <td></td> </tr> </table> | | | | SEA LEVEL | ALT. ADJUSTED | NORMAL INPUT | [R] | [K] BTU/HR. | OUTPUT CAPACITY | [S] | [L] BTU/HR. | MINIMUM INPUT (2.M, MB, MV MODELS) | [T] | [M] BTU/HR. | NORMAL MANIFOLD PRESSURE | [N] | IN. W.C. | MIN. PERMISSIBLE GAS SUPPLY PRESSURE FOR PURPOSE OF INPUT ADJUSTMENT. | [O] | IN. W.C. | MAXIMUM THROUGHPUT [P] C.F.M. | | | MINIMUM THROUGHPUT [Q] C.F.M. | | |
| | SEA LEVEL | ALT. ADJUSTED | | | | | | | | | | | | | | | | | | | | | | | | |
| NORMAL INPUT | [R] | [K] BTU/HR. | | | | | | | | | | | | | | | | | | | | | | | | |
| OUTPUT CAPACITY | [S] | [L] BTU/HR. | | | | | | | | | | | | | | | | | | | | | | | | |
| MINIMUM INPUT (2.M, MB, MV MODELS) | [T] | [M] BTU/HR. | | | | | | | | | | | | | | | | | | | | | | | | |
| NORMAL MANIFOLD PRESSURE | [N] | IN. W.C. | | | | | | | | | | | | | | | | | | | | | | | | |
| MIN. PERMISSIBLE GAS SUPPLY PRESSURE FOR PURPOSE OF INPUT ADJUSTMENT. | [O] | IN. W.C. | | | | | | | | | | | | | | | | | | | | | | | | |
| MAXIMUM THROUGHPUT [P] C.F.M. | | | | | | | | | | | | | | | | | | | | | | | | | | |
| MINIMUM THROUGHPUT [Q] C.F.M. | | | | | | | | | | | | | | | | | | | | | | | | | | |
| CLEARANCES TO COMBUSTIBLE CONSTRUCTION: VENT CAP-10", BOTTOM-3", FLUE CONNECTION-6", SERVICE SIDE- WIDTH OF UNIT, OPPOSITE SIDE-6" THIS UNIT SHALL BE INSTALLED ON THE POSITIVE PRESSURE SIDE OF THE AIR CIRCULATING BLOWER. THIS UNIT MAY BE INSTALLED DOWNSTREAM FROM A REFRIGERATION SYSTEM (USE DRAIN OPTION CS1). THIS UNIT MAY BE USED WITH DUCTS. THIS UNIT IS FOR OUTDOOR INSTALLATION ONLY. MINIMUM OPERATIONAL AMBIENT AIR TEMPERATURE: -40 DEG. F THIS UNIT IS FOR USE WITH NATURAL GAS AND PROPANE. A CONVERSION KIT AS SUPPLIED BY THE MANUFACTURER, SHALL BE USED TO CONVERT THIS DUCT FURNACE TO THE ALTERNATE FUEL. FOR ALTERNATE INSTALLATIONS USE THE LATEST EDITIONS OF THE APPROPRIATE STANDARD LISTED BELOW: FOR AIRCRAFT HANGERS USE STANDARD ANSI/NFPA 409 FOR PARKING STRUCTURES USE STANDARD ANSI/NFPA 88A FOR REPAIR GARAGES USE STANDARD ANSI/NFPA 88B | | | | | | | | | | | | | | | | | | | | | | | | | | |

Key to Duct Furnace Rating Plate

- | | |
|---|--|
| A = Standard | M = Minimum Input (altitude adjusted) |
| B = Model and Size | N = Normal Manifold Pressure |
| C = Date of Manufacturer | O = Minimum Gas Supply Pressure |
| D = Serial No. | P = Maximum Air Throughput |
| E = Volts/PH/Hz/Amperes | Q = Minimum Air Throughput |
| F & G = Natural Gas or Propane | R = Normal Input (sea level) |
| H & I = Altitude | S = Thermal Output (sea level) |
| J = Orifice Drill Size | T = Minimum Input (sea level) |
| K = Normal Input (altitude adjusted) | |
| L = Thermal Output (altitude adjusted) | |


De-Coding a Serial No.

Sample: S BKI 95 W8 N 12345 MV3

1 | 2 | 3 | 4 | 5 | 6 | 7

- 1 = Stainless steel heat exchanger (with an aluminized heat exchanger, there is no letter suffix)
- 2 = Date code (see page 3)
- 3 = Pilot code (Reference Form P-VALVES)
- 4 = Valve code (Reference Form P-VALVES)
- 5 = N is natural gas; L is propane gas
- 6 = Consecutive number
- 7 = Maxitrol system (optional)

Blower Cabinet Rating Plate on Certified Packaged Units (see table on page 3)

| | | |
|--|--|---|
| REZNOR MERCER, PA., U.S.A. 16137 | |  |
| PACKAGED DUCT FURNACE FOR INDUSTRIAL/COMMERCIAL USE ONLY DESIGN CERTIFIED FOR A.G.A REQUIREMENTS UNDER [A] PACKAGED DUCT FURNACE STANDARD MODEL [B] [C] SERIAL NO. [D] HP [E] VOLTS [E] PH [E] HZ MAXIMUM TOTAL INPUT [E] AMPS IF EQUIPPED WITH R.E.C. OPTION, ADD [V] AMPS EQUIPPED FOR OPERATION AT AN AIR FLOW OF [F] SCFM AGAINST A STATIC PRESSURE OF [G] INCHES WATER COLUMN. DRIVE NO. [H] WIRING DIAGRAM [I] SEE MANUFACTURER'S INSTRUCTIONS FOR OTHER AIR FLOW CAPACITIES. FILTERS, WHEN USED, MUST BE INSTALLED EXTERNAL TO THE HEATING CASING. REFER TO THE RATING PLATE OF THE DUCT FURNACE FOR ADDITIONAL INFORMATION. | | |

Key to Cabinet Rating Plate

- | | |
|--------------------------------------|-----------------------------------|
| A = Standard | F = SCFM |
| B = Model | G = Static Pressure (w.c.) |
| C = Date of Manufacture | H = Drive AM Option Code |
| D = Motor Horsepower | I = Wiring Diagram No. |
| E = Volts/Phase/Hertz/Amperes | |

Identification Plate on Blower Cabinets Manufactured Prior to Package Certification (see dates on page 3)

| | | | |
|-----------|-------|--------------|-----------------------------|
| REZNOR® | | MODEL NUMBER | SERIAL NUMBER |
| DRIVE NO. | CFM | AT | IN. W.C. MAX. E.S.P. AND HP |
| | VOLTS | PHASE | HERTZ AMPERES |

HP Codes

| Single-Speed Motors | | 2-Speed Motors | |
|---------------------|-------|----------------|---------|
| Code | HP | Code | HP |
| 05 | 1 | 20 | 1/4.4 |
| 06 | 1-1/2 | 21 | 1.5/6.8 |
| 07 | 2 | 22 | 2/8.8 |
| 08 | 3 | 23 | 3/1.3 |
| 09 | 5 | 24 | 5/2.2 |
| 11 | 7-1/2 | 25 | 7.5/3.3 |
| 12 | 15 | 26 | 10/4.4 |
| 13 | 10 | | |
| 14 | 20 | | |

Replacement Parts Tag - Each unit has a replacement parts tag that includes the Model No. and the Serial No. as well as a list of original common replacement parts. Always provide the full model and serial numbers when ordering replacement parts.

First Element of the Serial Number - Date of Manufacture

| Year | Jan | Feb | Mar | Apr | May | June | July | Aug | Sept | Oct | Nov | Dec |
|------|-----|-----|-----|-----|-----|------|------|-----|------|-----|-----|-----|
| 1989 | AOA | AOB | AOC | AOD | AOE | AOF | AOG | AOH | AOI | AOJ | AOK | AOL |
| 1990 | APA | APB | APC | APD | APE | APF | APG | APH | API | APJ | APK | APL |
| 1991 | AQA | AQB | AQC | AQD | AQE | AQF | AQG | AQH | AQI | AQJ | AQK | AQL |
| 1992 | ARA | ARB | ARC | ARD | ARE | ARF | ARG | ARH | ARI | ARJ | ARK | ARL |
| 1993 | ASA | ASB | ASC | ASD | ASE | ASF | ASG | ASH | ASI | ASJ | ASK | ASL |
| 1994 | ATA | ATB | ATC | ATD | ATE | ATF | ATG | ATH | ATI | ATJ | ATK | ATL |
| 1995 | AUA | AUB | AUC | AUD | AUE | AUF | AUG | AUH | AUI | AUJ | AUK | AUL |
| 1996 | AVA | AVB | AVC | AVD | AVE | AVF | AVG | AVH | AVI | AVJ | AVK | AVL |
| 1997 | AWA | AWB | AWC | AWD | AWE | AWF | AWG | AWH | AWI | AWJ | AWK | AWL |
| 1998 | AXA | AXB | AXC | AXD | AXE | AXF | AXG | AXH | AXI | AXJ | AXK | AXL |
| 1999 | AYA | AYB | AYC | AYD | AYE | AYF | AYG | AYH | AYI | AYJ | AYK | AYL |
| 2000 | AZA | AZB | AZC | AZD | AZE | AZF | AZG | AZH | AZI | AZJ | AZK | AZL |
| 2001 | BAA | BAB | BAC | BAD | BAE | BAF | BAG | BAH | BAI | BAJ | BAK | BAL |
| 2002 | BBA | BBB | BBC | BBD | BBE | BBF | BBG | BBH | BBI | BBJ | BBK | BBL |
| 2003 | BCA | BCB | BCC | BCD | BCE | BCF | BCG | BCH | BCI | BCJ | BCK | BCL |
| 2004 | BDA | BDB | BDC | BDD | BDE | BDF | BDG | BDH | BDI | BDJ | BDK | BDL |
| 2005 | BEA | BEB | BEC | BED | BEE | BEF | BEG | BEH | BEI | BEJ | BEK | BEL |
| 2006 | BFA | BFB | BFC | BFD | BFE | BFF | BFG | BFH | BFI | BFJ | BFK | BFL |
| 2007 | BGA | BGB | BGC | BGD | BGE | BGF | BGG | BGH | BGI | BGJ | BGK | BGL |
| 2008 | BHA | BHB | BHC | BHD | BHE | BHF | BHG | BHH | BHI | BHJ | BHK | BHL |
| 2009 | BIA | BIB | BIC | BID | BIE | BIF | BIG | BIH | BIJ | BIK | BIL | |
| 2010 | BJA | BJB | BJC | BJD | BJE | BJF | BJG | BJH | BJI | BJJ | BJK | BJL |
| 2011 | BKA | BKB | BKC | BKD | BKE | BKF | BKG | BKH | BKI | BKJ | BKK | BKL |
| 2012 | BLA | BLB | BLC | BLD | BLE | BLF | BLG | BLH | BLI | BLJ | BLK | BLL |
| 2013 | BMA | BMB | BMC | BMD | BME | BMF | BMG | BMH | BMI | BMJ | BMK | BML |
| 2014 | BNA | BNB | BNC | BND | BNE | BNF | BNG | BNH | BNI | BNJ | BNK | BNL |
| 2015 | BOA | BOB | BOC | BOD | BOE | BOF | BOG | BOH | BOI | BOJ | BOK | BOL |
| 2016 | BPA | BPB | BPC | BPD | BPE | BPF | BPG | BPH | BPI | BPJ | BPK | BPL |
| 2017 | BQA | BQB | BQC | BQD | BQE | BQF | BQG | BQH | BQI | BQJ | BQK | BQL |
| 2018 | BRA | BRB | BRC | BRD | BRE | BRF | BRG | BRH | BRI | BRJ | BRK | BRL |
| 2019 | BSA | BSB | BSC | BSD | BSE | BSF | BSG | BSH | BSI | BSJ | BSK | BSL |
| 2020 | BTA | BTB | BTC | BTD | BTE | BTF | BTG | BTH | BTI | BTJ | BTK | BTL |

Date Series was Introduced or Recertified
(may affect parts selection)

Beginning January 2000, heaters display a CSA label certifying that the unit or system has been approved to ANSI Standards for use in the United States or to C.G.A. Standards for use in Canada.

| Duct Furnace Certification | | | |
|------------------------------------|-----------------|------------|-----------------|
| Model | Original Agency | Introduced | Recertified |
| (H)(C)(HC) RP | A.G.A. | 2/90 | -- |
| (H) RP | A.G.A. | -- | Series 8 - 5/95 |
| (H)(C)(HC) RG | A.G.A. | 2/90 | Series 8 - 5/95 |
| (H) RG | C.G.A. | 5/90 | Series 8 - 5/95 |
| (H) RP | C.G.A. | 5/90 | Series 8 - 5/95 |
| Packaged Unit Certification | | | |
| Model | Original Agency | Certified | |
| (H)(C)(HC) RGB | A.G.A. | 2/96 | |
| (H) RPB | A.G.A. | 2/96 | |
| RPBL, (C)RGL | A.G.A. | 11/96 | |
| PGBL | A.G.A. | 3/97 | |
| (H)(C)(HC) RGB | C.G.A. | 8/96 | |
| (H) RPB | C.G.A. | 8/96 | |
| RPBL, (C)RGL | C.G.A. | 8/97 | |
| PGBL | C.G.A. | 8/97 | |

(NOTE: Prefix "H" indicates higher CFM capacity; "C" indicates higher thermal efficiency; "HC" indicates higher CFM capacity and thermal efficiency.)

Descriptions

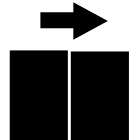
*** Models are no longer manufactured.**

Also, except for duct furnace Model HRPD, "H", "C", and "HC" Models are no longer manufactured.

| Model | No. of Sizes | Type | Capacity Ranges | Thermal Efficiency | Vent | Installation |
|--------|--------------|-----------------|---------------------------------------|--------------------|---------|----------------|
| *PGBL | 3 | Packaged | 400-1200 MBH Input/ 3300-13500 CFM | 80% | Power | Indoor |
| *RG | 11 | Duct Furnace | 75-400 MBH Input | 78% | Gravity | Outdoor |
| *RGB | 11 | Packaged | 75-400 MBH Input/ 600-7100 CFM | 78% | Gravity | Outdoor |
| *RGL | 7 | Packaged | 400-1200 MBH Input/ 3300-13500 CFM | 78% | Gravity | Outdoor |
| RP | 9 | Duct Furnace | 125-400 MBH Input | 80% | Power | Outdoor |
| HRPD | 8 | 2 Duct Furnaces | 250-800 MBH Input | 80% | Power | Outdoor |
| RPB | 9 | Packaged | 125-400 MBH Input/ 1025-7100 CFM | 80% | Power | Outdoor |
| *RPBL | 7 | Packaged | 400-1200 MBH Input/ 3300-13500 CFM | 80% | Power | Outdoor |
| *RPDBL | 5 | Packaged | 800-1600 MBH Input/ 6600-22000 CFM | 80% | Power | Outdoor |
| *RBA | 1 | Blower only | 1500-5000 CFM | -- | -- | Indoor/Outdoor |
| *RBHA | 1 | Blower only | 1500-5000 CFM | -- | -- | Indoor/Outdoor |
| RBL | 1 | Blower only | 5000-15000 CFM | -- | -- | Indoor/Outdoor |

Dual Duct Furnace and Packaged System (Blower/Furnace) Model Configurations

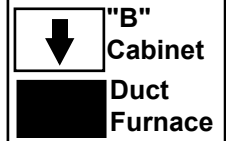
Outdoor Dual Duct Furnaces in Series, Model HRPD 250, 300, 350, 400, 500, 600, 700, 800



250 = 2(HRP125); 500 = 2(HRP250);
 300 = 2(HRP150); 600 = 2(HRP300);
 350 = 2(HRP175); 700 = 2(HRP350);
 400 = 2(HRP200); 800 = 2(HRP400)

Outdoor (H)(C)RGB and (H)RPB Packaged Systems

1. Model RG, CRG, HRG, HCRG, RP, or HRP duct furnace coupled with a "B" Blower Cabinet.
2. Optional outside air hood, downturn plenum, coil cabinet (with or without downturn), and evaporative cooling module may be part of the packaged unit.

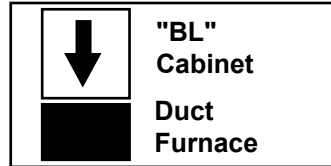


Outdoor (C)RGBL and RPBL Packaged Systems

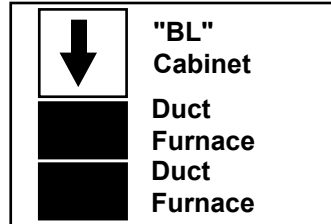
1. Model HRG, HCRG, or HRP duct furnaces (in quantity and size indicated below) coupled with a "BL" Blower Cabinet.
2. Optional outside air hood, downturn plenum, coil cabinet (with or without downturn), and evaporative cooling module may be part of the packaged unit.

Indoor PGBL Packaged System

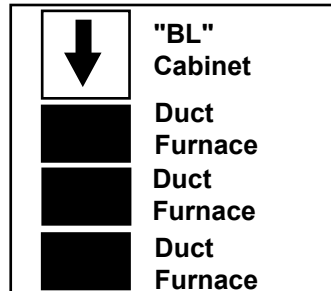
1. A PGBL packaged system is a duct furnace (in quantity and size indicated below) coupled with a "BL" Blower Cabinet.
2. Optional downturn plenum, coil cabinet (with or without downturn), and evaporative cooling module may be part of the packaged unit.



| Packaged | | Includes One Size 400 Duct Furnace | | | |
|----------------|------|------------------------------------|-----|-----|-----|
| Model Series | Size | 250 | 300 | 350 | 400 |
| RGBL/RPBL/PGBL | 400 | -- | -- | -- | 1 |



| Packaged | | Includes Size & Quantity of Furnaces | | | |
|----------------|------|--------------------------------------|-----|-----|-----|
| Model Series | Size | 250 | 300 | 350 | 400 |
| RGBL/RPBL | 500 | 2 | -- | -- | -- |
| RGBL/RPBL | 600 | -- | 2 | -- | -- |
| RGBL/RPBL | 700 | -- | -- | 2 | -- |
| RGBL/RPBL/PGBL | 800 | -- | -- | -- | 2 |

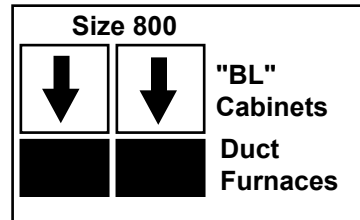


| Packaged | | Includes Size & Quantity of Furnaces | | | |
|----------------|------|--------------------------------------|-----|-----|-----|
| Model Series | Size | 250 | 300 | 350 | 400 |
| RGBL/RPBL | 1050 | -- | -- | 3 | -- |
| RGBL/RPBL/PGBL | 1200 | -- | -- | -- | 3 |

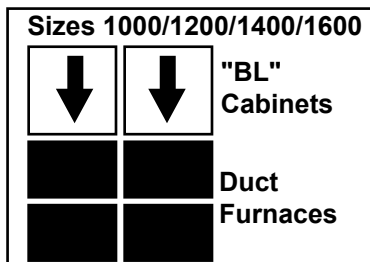
Outdoor RPDBL Packaged Systems

1. HRP duct furnaces (in quantity and size indicated below) coupled together with two "BL" Blower Cabinets.
2. Optional outside air hoods and downturn plenum cabinets may be part of the packaged unit.

Size 800



Sizes 1000/1200/1400/1600

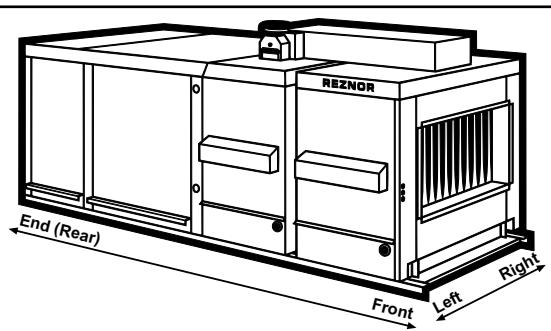


| RPDBL | Consists of: |
|-------|-------------------------------|
| 800 | (2) RPBL 400 Packaged Systems |
| 1000 | (2) RPBL 500 Packaged Systems |
| 1200 | (2) RPBL 600 Packaged Systems |
| 1400 | (2) RPBL 700 Packaged Systems |
| 1600 | (2) RPBL 800 Packaged Systems |

NOTE: Replacement parts are not identified for these specific models; look for equivalent RPBL models.

Unit Direction Orientation Diagram - Applies to all models; Model PGBL 800 illustrated

NOTE: Left side controls (illustrated) are standard. Right side controls are optional. If the unit has right side controls, some replacement parts will be affected.



Line Voltage Application to Package Configuration

| Line Voltage to Furnace or Packaged System | | | | | | |
|--|-----------|-----------|-----------|-----------|------------|---------------------------------|
| Unit Voltage | 115 | 208 | 230 | 460 | 575 | Comments |
| RG Control Volts In/Out/VA | 115/24/20 | 208/24/20 | 230/24/20 | 460/24/20 | N/A | Furnace only |
| RGB Motor Voltage | 115 | 208 | 230 | 460 | 575 | |
| RGB Controls Volts In/Out/VA | 115/24/40 | 208/24/40 | 230/24/40 | 460/24/40 | 575/24/200 | |
| RP Control Volts In/Out/VA | 115/24/40 | 208/24/40 | 230/24/40 | 460/24/40 | N/A | Furnace only |
| HRPD Control Volts In/Out/VA | 115/24/40 | 208/24/40 | 230/24/40 | 460/24/40 | N/A | Furnace only |
| RPB Motor Voltage | 115 | 208 | 230 | 460 | 575 | |
| RPB Controls Volts In/Out/VA | 115/24/40 | 208/24/40 | 230/24/40 | 460/24/40 | 115/24/40 | 575 to 115V / 300VA Transformer |
| RPBL/RGBL/PGBL 400 | 115 | 208 | 230 | 460 | 115 | 575 to 115V / 300VA Transformer |
| RPBL/RGBL 500-800; PGBL 800 | 115 | 208 | 230 | 460 | 115 | 575 to 115V / 500VA Transformer |
| RPBL/RGBL 1050-1200; PGBL 1200 | 115 | 208 | 230 | 460 | 115 | 575 to 115V / 750VA Transformer |

Quick Reference Charts (NOTE: Consult wiring diagram to verify relays and transformers.)

| Relay Chart | Relay P/N | | | | | | | | |
|---|--|----------|--------|--------|--------------------------|--|--------|--------------------------|--------------------------------------|
| | 211411 Relay with Socket 211415 beginning 9/2011 | 103317* | 98118* | 110656 | 259780 beginning 02/2010 | 259518* or 46233* Order Replacement Kit 259521 | 209164 | 262337 beginning 12/2010 | 206146* Order Replacement Kit 262375 |
| Where Used | | | | | | | | | |
| Freezestat Relay | X | X | | | | | | | |
| Starter Relay | | | | X | | | | | |
| Summer/Winter Relay (Option BF2) | X | | X | | | | | | |
| SPST Relay (BG Option) | X | | X | | | | | | |
| SPDT Relay (BG Option) | X | X | | | | | | | |
| Illinois School Code Controls (Option BM12) | | X | X | | | | | | |
| Two-Speed Motor Relay | | | | X | | | | | |
| Two-Speed Motor Speed Relay | | | | X | | | | | |
| IRI Gas Controls (Option BM13) | | | X(4) | | | | | | |
| Discharge Damper Relays | X (2) | X(2) | | | | | | | |
| Time Delay Relay Venter (RP Series & PGBL) | | | | | X | X | | | |
| Blower Relay | X | | X | | | | | | |
| DDC Interface Relay (Options D1, D2, D3, D4) | | X (2or3) | | | | | | | |
| Fan/Blower Control (replaced temperature activated fan control 12/04) | | | | | | | X | | |
| Gas Control Options AG39, AG40, AG41, AG42 | | | | | | | | X | X |
| For additional information, see CODE(S): | 34, 35 | | | 33 | | 12 | 14 | | 138 |
| On Page | 10 | | | 10 | | 9 | 9 | | 15 |

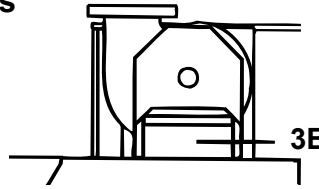
* These P/N's are for reference only; the parts are no longer available.

Transformer Chart

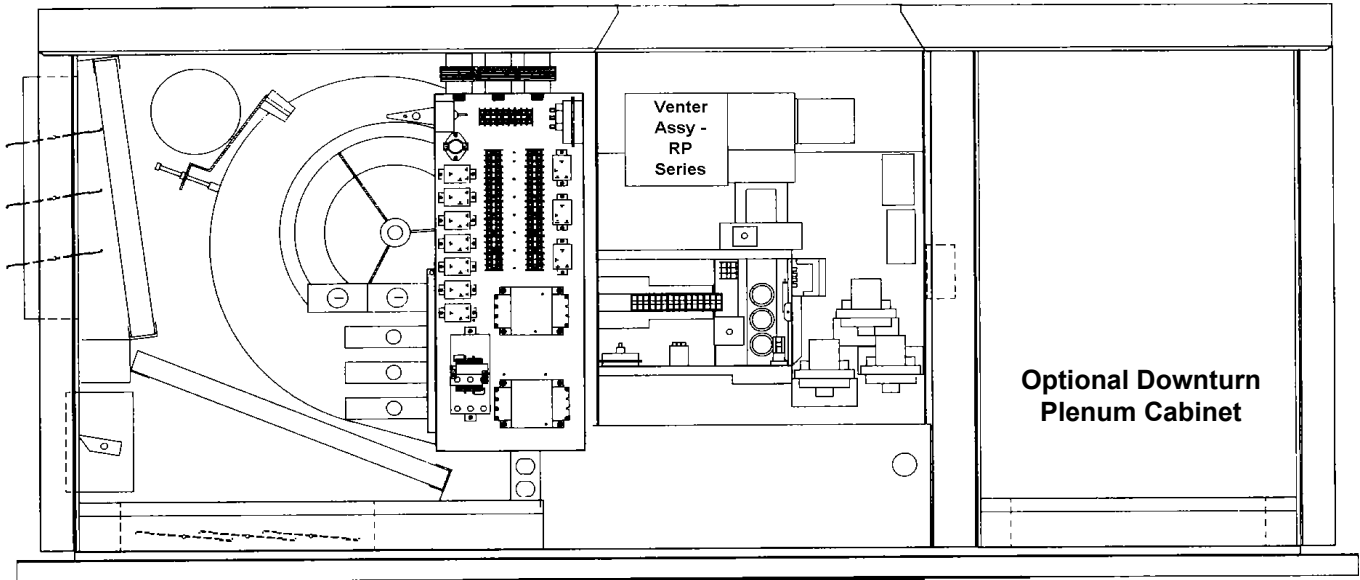
| Transformer P/N | Transformer Volts | | | RG Controls | RP Controls | RGB(L) Controls | RPB(L) Controls | PGBL Controls | RBHA/RBA/RBL Controls | 575V Line RPBL/PGBL400 | 575V Line RPBL400-800; PGBL 800/1200 | 575V Line RPBL 1050-1200 | IRI Manifold | FM Manifold | Used in Option D1-4 (DDC from building's environmental control system) | Discharge Damper |
|-----------------|-------------------|-----|-----|-------------|-------------|-----------------|-----------------|---------------|-----------------------|------------------------|--------------------------------------|--------------------------|--------------|-------------|--|------------------|
| | In | Out | VA | | | | | | | | | | | | | |
| 103054 | 115 | 24 | 20 | X | | | | | | | | | | | | |
| 103055 | 115 | 24 | 40 | | X | X | X | | X | | | | | | X | X |
| 103497 | 208-230 | 24 | 40 | | | | | | X | | | | | | X | X |
| 103498 | 480 | 24 | 40 | | | | | | X | | | | | | X | X |
| 38634 | 115 | 24 | 200 | | | | | X | | | | | | | | |
| 39095 | 208-230-460-575 | 24 | 200 | | | X | X | X | X | | | | | | | |
| 105202 | 208-230-460-575 | 115 | 300 | | | | X | X | | X | | | X | X | | |
| 86998 | 208 | 115 | 500 | | | | | | | | | | X | | | |
| 86997 | 230-460 | 115 | 500 | | | | | | | | | | X | | | |
| 112641 | 575 | 115 | 500 | | | | | | | | X | | | | | |
| 112642 | 575 | 115 | 750 | | | | | | | | | X | | | | |

Furnace Electrical Component Locations

("B" Cabinet is illustrated; control locations are the same in the larger capacity "BL" Cabinets)



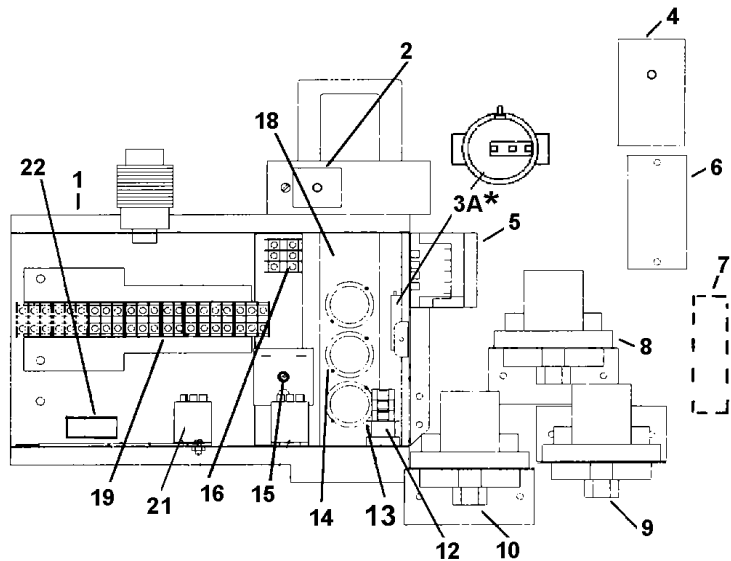
Venter assembly and combustion air switch on indoor Model PGBL is on top of the unit.



NOTE: See pages 8 - 10 for illustrations and additional information about the furnace electrical components listed below.

Maxitrol Amplifier
See Form P-VALVES

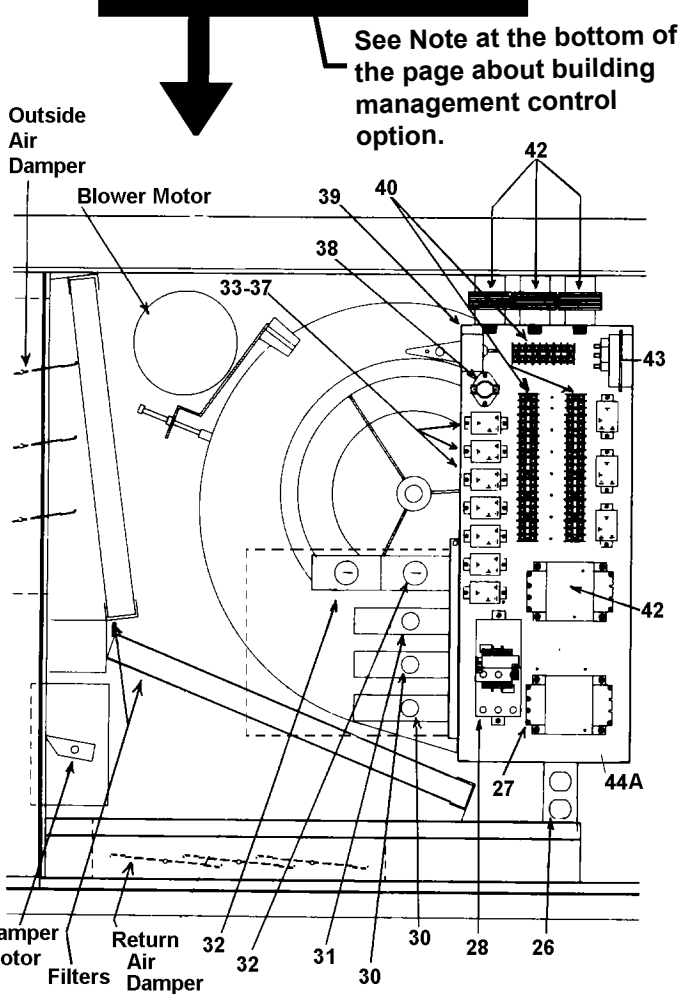
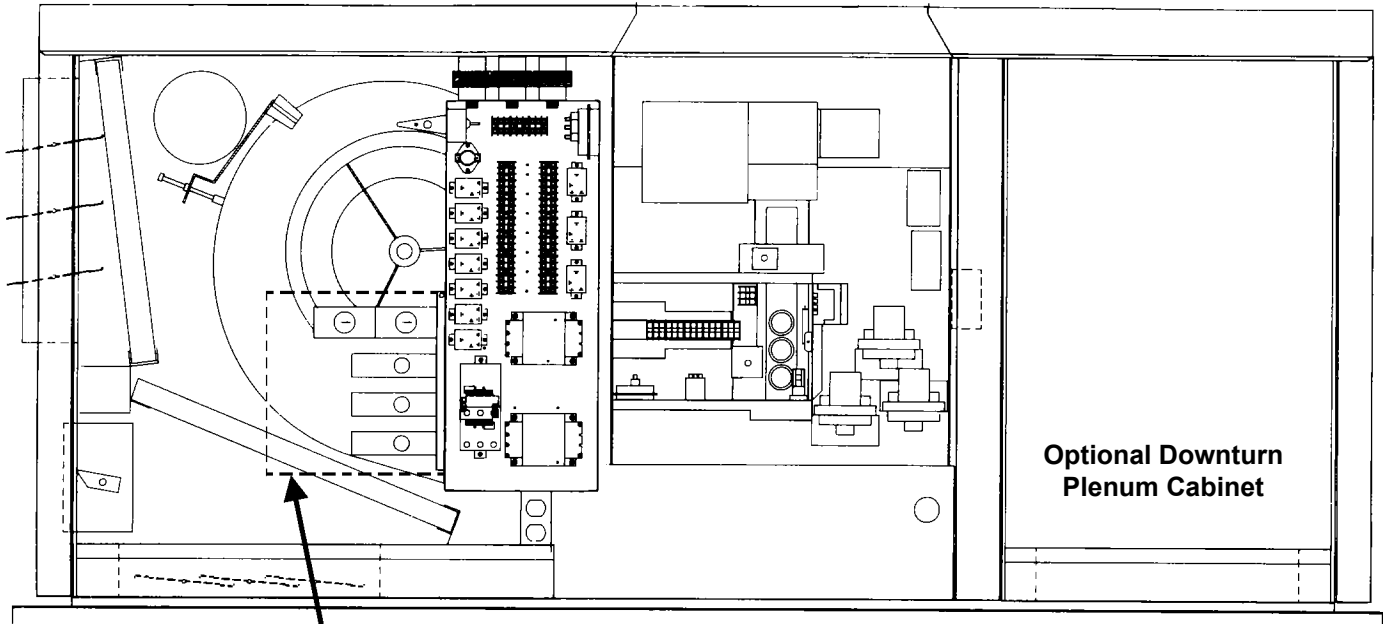
| Code | Description | P/N |
|------|--|--------|
| 1A | Electrical Box | 100108 |
| 1B | Electrical Box Cover | 100109 |
| 2 | Freezestat, Auto Reset (Option BE2) | 126170 |
| 3A* | Combustion Air Pressure Switch -- Replacement switch depends on the date of manufacture and original equipment; see P/N's on page 8. | |
| 3B | Combustion Air Pressure Switch (PGBL, top of page) -- Replacement switch depends on the date of manufacture and original equipment; see P/N's on page 8. | |
| 4 | Discharge Air Firestat (Option BD2) | 42782 |
| 5 | Ignition Controller - See P/N's on page 8. | |
| 6 | Discharge Air Sensor (modulating gas controls) | 48041 |
| 7A | 2-Stage Controller (for Option AG3) | 41700 |
| 7B | 2-Stage Ductstat Sensor Holder (AG15-20) | 115850 |
| 7C | Remote Ductstat Modules (AG15-20) - see page 8. | |
| 8 | Low Gas Pressure Switch, 1-6" w.c. | 93849 |
| 9 | Low Gas Pressure Switch, 6-24" w.c. | 149176 |
| 10 | Main High Gas Pressure Switch (Opt BP2) | 93850 |
| 11 | Gas Pressure Switches in Opt AG39, AG40, AG41, and AG42 - location not shown; see page 9. | |
| 12 | Time Delay Relay (RP Series) - See P/N's on page 9. | |
| 13A | Limit Control RG(B) & RP(B) only (for BL systems, see page 10) | 50417 |
| 13C | Limit Shield RG(B) & RP(B) only | 12229 |
| 14 | Fan Control - Effective 12/04, a temperature activated fan control is no longer available. Order Replacement Kit, P/N 209184. | 209184 |
| | Fan Control Time Delay Relay (on units mfgd beginning 12/04; check wiring diagram) | 209164 |
| 15 | Freezestat Time Delay Relay | 89661 |
| 16 | Line Voltage Terminal Blocks | 144972 |
| 17 | Line Voltage Terminal Block Adapter | 144973 |



*Code 3A - Beginning with units manufactured 2/99, the pressure switch on RP Series units is mounted inside the electrical box. Prior to 2/99, the pressure switch is mounted on the wall of the electrical compartment above the electrical box. See page 8 for replacement information.

| Code | Description | P/N | |
|------|--|--------|-------|
| 18 | Heat Shield (on units mfgd prior to 12/04) | U.S. | 10188 |
| | | Canada | 63818 |
| 19 | Low Voltage Terminal Blocks | 144972 | |
| 20 | Low Voltage Terminal Block Adapter | 144973 | |
| 21 | Freezestat Relay - See P/N's on page 9. | | |
| 22 | Dirty Filter Pressure Switch | 105507 | |

Blower Cabinet Electrical Component Location ("B" Cabinet is illustrated; control locations are the same in the larger capacity "BL" Cabinets)



See Note at the bottom of the page about building management control option.


| Code | Description | P/N | |
|------------------------|--|----------------------------|--------|
| 25 | Fuse Holder (Fuse, see page 9) | 60241 | |
| 26 | Convenience Outlet | 96912 | |
| 27A | Blower Motor Contactor - 24V Coil (replaces P/N 93661 and P/N 119625) | 216386 | |
| 27B | Blower Motor Starters - see P/N's on pages 27-30. | | |
| 28 | Temperature Controller (Options AG41, AG42) | 197204 | |
| 29 | High Ambient Limit Control (Opt BN2) | 126170 | |
| 30 | Outside Air or Return Air Controller (or P/N 197204, J/C A19ABC-24) | 126170 | |
| 31 | Mixed Air Controller | 16109 | |
| 32 | Potentiometer | 16110 | |
| 33 | Starter Relay (replaces 105803) | 110656 | |
| 34 | Summer Winter Relay (Option BF2) - See P/N's on page 10. | | |
| 35 | RBM Relay (BG Options) - See P/N's on page 10. | | |
| 37 | 2-Speed Motor Speed Selector Relay - See illustration in CODE 33, page 10. | 110656 | |
| 38 | Auto Reset Reverse Flow Limit | 103323 | |
| 39 | Return Air Firestat (Option BD3); See Code 4, pg 8. | 42782 | |
| 40 | Low Voltage Terminal Blocks | 144972 | |
| 41 | Low Voltage Terminal Block Adapters | 144973 | |
| 42A and 42B | Control and Damper Transformers (See Chart on page 5.) | 115V to 24V, 20VA | 103054 |
| | | 115 to 24V, 40VA | 103055 |
| | | 208/230 to 24V, 40VA | 103497 |
| | | 460 to 24V, 40VA | 103498 |
| | | 208 to 24V, 200VA | 38634 |
| | | 230/460/575 to 24V, 200VA | 39095 |
| | | 230/460/575 to 115V, 300VA | 105202 |
| | | 208 to 115V, 500VA | 86998 |
| 230/460 to 115V, 500VA | 86997 | | |
| 575 to 115V, 500VA | 112641 | | |
| 575 to 115V, 750VA | 112642 | | |
| 43 | Air Proving Switch | 112107 | |
| 44A | Blower Cabinet Electrical Box - std left side controls | 100092 | |
| | Blower Cabinet Electrical Box - optional right side controls | 95486 | |
| 44B | Electrical Box Cover | 100095 | |
| 44C | Electrical Box Top | 196648 | |

Reference NOTE: Except where a page number is listed, see pages 8-10 for illustrations and additional information about electrical components.

Building Management Control NOTE: If equipped with Option D1-D4 for DDC interface to the building's computerized environmental control system, the dotted line (top illustration) indicates the location of the electrical box that houses the specially programmed Johnson Control Metasys® control unit. Box Cover is P/N 171739. Other components are listed on page 11.

Electrical Components - See location drawings on pages 6-7.

Code 1 - Electrical Box and Cover (in the electrical compartment)
Electrical Box, P/N 100108 (replaces 11965 on Model RG)




Electrical Box Cover, P/N 100109 (replaces P/N 9546 on Model RG)

Code 2 - Freezestat, J/C #A19AAF-2C, 25-225°F, P/N 126170, (replaces P/N 16108)



Bulb Clamp, P/N 100260
Grommet Clamp, P/N 131993; Cable Clamp, P/N 132065

Code 3 - Combustion Air Switch - Replacement depends on date of manufacture and altitude:



For power vented models mfgd beginning 7/04, altitudes to 4000 ft, **P/N 204327**, setpoint $0.58 \pm .05$ " w.c. ; altitudes above 4000 ft, **order P/N 204328**, setpoint $.52 \pm .05$ " w.c.

For RP Series units mfgd between 12/91 and 7/04 (except RP/RPB Models with Option AG39/40 or 1st furnace of Models HRPD/RPBL with Option AG41/42 modulating gas controls), for altitudes to 4000 ft, **order replacement kit P/N 193810**; for altitudes above 4000 ft, **order P/N 193811**.

For RP/RPB Models mfgd between 12/91 and 7/04 with Option AG39/40 and 1st furnace of Models HRPD/RPBL with Option AG41/42 gas controls, order **P/N 193813** for RP(B) Sizes 125-225 and HRPD 250-400 or **PN 193812** for RP(B) Sizes 250-400, HRPD 500-800, and all RPBL.

For all RP Series Models manufactured prior to 12/91 (serial No. Date Code AQL), order Replacement Pressure Switch Kit, **P/N 93033**.

Codes 4 & 39 - Firestat, Honeywell #L4029E 1029, Manual reset opens at 200°F, P/N 42782



Firestat Gasket, P/N 121041 (used when firestat is installed less cover)
Firestat Shield, P/N 120021 (used with discharge firestat only)

Code 5 - Ignition Controllers

Ignition Controller for Intermittent Spark Pilot System without Lockout, P/N 257009 (Serial No. Code 94)

To replace a previously used recycling ignition controllers without lockout (Serial No. Codes 62 and 66), order Replacement Kit, **P/N 257472**



Ignition Controller for Intermittent Spark Pilot System with Lockout, P/N 257010 (Serial No. Code 95)

To replace a previously used ignition controllers with lockout (Serial No. Codes 63, 65 and 84), order Replacement Kit, **P/N 257473**

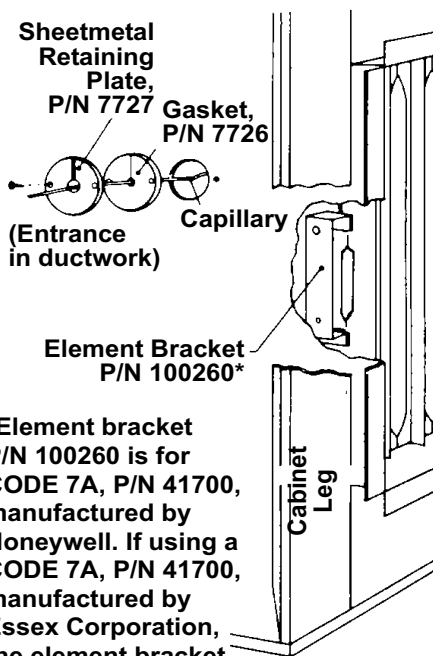


Code 6 - Discharge Sensor for Modulating Gas Valve, P/N 48041, Maxitrol TS-121, for Options AG8 & AG9; P/N 133228, Maxitrol TS-194 for Options AG39 & AG41



Gasket, P/N 104138


Location and Components for Installing Discharge Sensor, Code 7A



Sheetmetal Retaining Plate, **P/N 7727**
 Gasket, **P/N 7726**
 Capillary
 (Entrance in ductwork)
 Element Bracket **P/N 100260***
 Cabinet Leg

***Element bracket P/N 100260 is for CODE 7A, P/N 41700, manufactured by Honeywell. If using a CODE 7A, P/N 41700, manufactured by Essex Corporation, the element bracket P/N is 104156.**

Code 7B - Ductstat Sensor and Holder for Code 7C Remote Ductstats
Ductstat Sensor Holder, #TE6001-1, P/N 115850



Ductstat Sensor only, #SET A99BC-25C, P/N 115851, (part of P/N 115848 below)

Code 7A - Two-Stage Ductstat, Honeywell T678A1015, P/N 41700
 55-58°F,
 Capillary Length 5' -
 Used in Gas Control Options AG3, AG4, and AG5



Bulb Holder, P/N 100260
Cable Strap, P/N 16227

Code 7C - Remote Ductstat Modules in Gas Control Options AG15-AG20



A = Ductstat Temperature Selector Module, J/C A350AA-1C, P/N 115848
B = Stage Adder Module, J/C S350AA-1C, P/N 115849
C = Digital Temperature Display Module, J/C D350AA-1C, P/N 115852

Codes 8, 9, 10 - Gas Pressure Switches

Codes 8 & 9 - Low Gas Pressure Switch, P/N 93849 (Range 1-6" w.c.); P/N 149176 (Range 6-24" w.c.)
Automatic Reset, Settings - 50% of minimum inlet gas pressure as stated on the unit rating plate



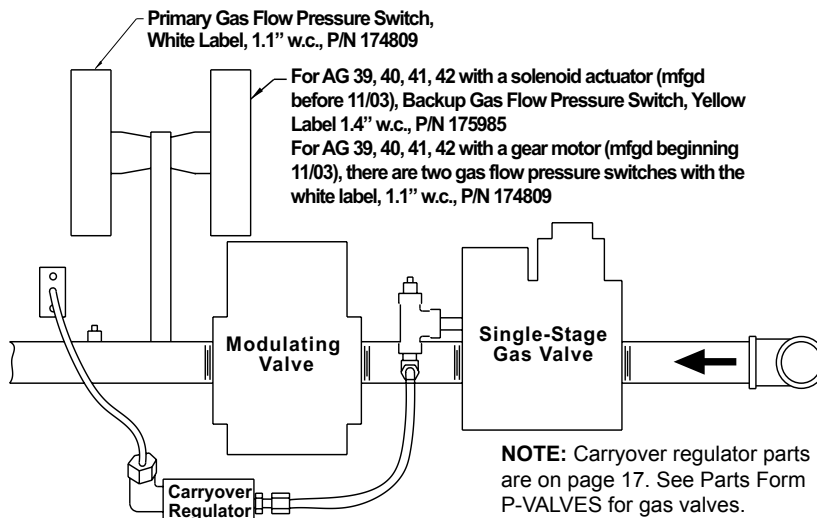
Code 10 - High Gas Pressure Switch, P/N 93850
Manual Reset, Settings - 125% of normal manifold gas pressure as stated on the unit rating plate



Vent Limiter, Maxitrol A1209, P/N 123481
Bracket, P/N 100261



Code 11 - Manifold and Control with Gas Pressure Switches used in Modulating Gas Control Options AG39, AG40, AG41, AG42



Code 12 - Time Delay Relay, P/N 259780



To replace time delay relay (P/N 46233 or 259518) used on product manufactured prior to 2/2010, order replacement kit, **P/N 259521**.

Code 13A - Limit Control, P/N 50417, opens 125°F; closes 105°F



Used on RG, RGB, RP, RPB Series units; for "BL" packaged systems, see page 10.

NOTE: Limit Control for RP/HRPD with Option BU12 is **P/N 196571**, 140°F, red/white label

Code 13B - Limit Control Shield, P/N 12229



Used with Code 13A on Models RG and RGB

Code 14 - SPST Time Delay Relay (for fan/blower control on units mfgd beginning 12/04), P/N 209164, Thermodisc I2S20-305131



For units manufactured prior to 12/04, the temperature activated fan control is no longer available. Order Replacement Kit, **P/N 209184**.

Code 15 - Time Delay Relay, T & B Agastat TM1ULA, P/N 89661



Used in the freezestat circuit.

Codes 16 & 17; 19 & 20; and 40 & 41

Terminal Block, P/N 144972



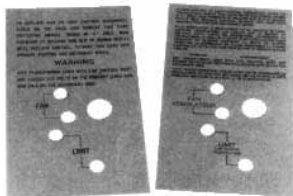
Terminal Block Adapter, P/N 144973



Code 18 - Heat Shields (on units mfgd prior to 12/04)

For U.S. Unit, P/N 10188

For Canadian Unit, P/N 63818



Code 21 - Freezestat Relay, P/N 211411 and P/N 211415



For units manufactured prior to 9/2011, order a replacement kit, **P/N 263527**, to replace relay.

Code 22 - Dirty Filter Pressure Switch, Tridelta AP4434, P/N 105507



Field adjustable; range .17 to 5.0" w.c. plus or minus .05" w.c.

Code 25 - Fuse and Fuseholder

Fuses:
2-1/2 Amp, P/N 201773, Bussman FNM8
5 Amp, P/N 201780, Bussman FNM3
8 Amp, P/N 204803, Bussman MDL3

Fuse Holder, P/N 60241



Code 26 - Convenience Outlet Receptacle, P/N 96912



Code 27A - Motor Contactor, 24V Coil, P/N 216386 (replaces P/N's 93661 and 119625)






For blower motor starters, see page 27-30.

Code 28 - Temperature Control, J/C #A19ABC-24, -30 to 100°F, used in Gas Control Option AG41 and AG42 on Models RPBL and HRPD, P/N 197204





Electrical Components (cont'd) - See location drawings on pages 6-7.



| | | | |
|---|---|--|--|
| <p>Codes 29 and 30 - High Ambient Limit Control and Outside Air or Return Air Controller, P/N 126170</p>  | <p>Code 31 - Mixed Air Controller, P/N 16109</p>  | <p>Code 32 - Potentiometer, P/N 16110</p>  | <p>Codes 33 & 37 - Blower Relay/ 2-Speed Motor, Essex 91-102006-1300, 24V, P/N 110656</p>   |
|---|---|--|--|

| | | |
|---|--|--|
| <p>Codes 34 & 35 - 24V, DPDT, Plugin Relay, P/N 211411 and Socket, P/N 211415</p>  <p>For units manufactured prior to 9/2011, order a replacement kit, P/N 263527, to replace relay.</p> | <p>Code 38 - Reverse Flow Limit, #60T11-313154, P/N 103323</p>  <p>Bracket, P/N 18795</p> | <p>Codes 42A - Control and Damper Transformers, 20 and 40 VA</p> <p>P/N 103054, 115/24/20VA, Basler #BE121625-WAR</p> <p>P/N 103055, 115/24/40VA, Basler #BE141650-WAA</p> <p>P/N 103497, 208/230/24/40VA, Basler #BE2153900</p> <p>P/N 103498, 460/24/40VA, Basler #BE23975001</p>  |
|---|--|--|

Code 39 - See Code 4, page 8.
Codes 40 & 41 - See Codes 16 & 17, page 9.

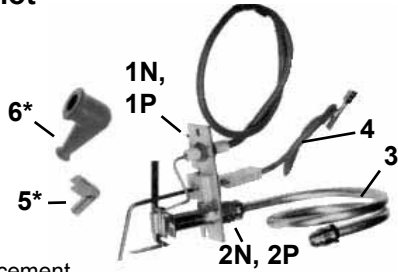
| | | | | | |
|--|--|--|--------------------------|---|--|
| <p>Codes 42B - Control and Damper Transformers, 200 and 300 VA</p>  <p>P/N 105202, 575/115/300VA - Use on 115V furnace</p> <p>P/N 39095, 230/460/575-24-200VA</p> <p>P/N 38634, 208/24/200VA</p> | <p>Codes 43 - Blower Air Flow Switch, Tridelta FP6605, Normally Open Non-Adjustable, Setpoint .175"w.c., P/N 112107</p>  <p>(Air Proving Switch, Option BW1)</p> <p>See page 22 for blower pitot probe.</p> | <p>Code 44 - Blower Cabinet Electrical Boxes and Cover</p> <table style="width:100%; border-collapse: collapse;"> <tr> <td style="border: none;">Cover, P/N 100095</td> <td style="border: none;">Left Side Controls Box, P/N 100092</td> <td style="border: none;">Optional Right Side Controls Box, P/N 95486</td> </tr> </table>  <p>(See Orientation Illustration on page 4)</p> | Cover, P/N 100095 | Left Side Controls Box, P/N 100092 | Optional Right Side Controls Box, P/N 95486 |
| Cover, P/N 100095 | Left Side Controls Box, P/N 100092 | Optional Right Side Controls Box, P/N 95486 | | | |

| <p>Limit Controls used on Model Series RGLB, PGLB and RPBL mfgd beginning 1/97 (for older units, see below)</p> <p>Automatic Reset Limit Control with Linear Sensor, TOD #10HG11, P/N 148588</p>  | <p>Automatic Reset Limit Control, TOD #60T11</p>  | <p>Key: (Applies to both limit tables)</p> <table style="width:100%; border-collapse: collapse;"> <tr> <td style="border: none;">"BL" Blower Cabinet Air Flow →</td> <td style="border: none;">Furnace #1</td> <td style="border: none;">Furnace #2</td> <td style="border: none;">Furnace #3</td> </tr> </table> | "BL" Blower Cabinet Air Flow → | Furnace #1 | Furnace #2 | Furnace #3 | | | | | | | | | | | | | |
|--|---|--|---|-------------------|-------------------|-------------------|-----------------|-----------|---|------------------------------|------------------------------|-----------|--|---|------------------------------|-----------|--|--|---|
| "BL" Blower Cabinet Air Flow → | Furnace #1 | Furnace #2 | Furnace #3 | | | | | | | | | | | | | | | | |
| | | <table border="1" style="width:100%; border-collapse: collapse;"> <thead> <tr> <th style="width:10%;"></th> <th style="width:25%;">Size 400</th> <th style="width:25%;">Sizes 500/600/800</th> <th style="width:25%;">Sizes 1050/1200</th> </tr> </thead> <tbody> <tr> <td>#1</td> <td>50418, 201220, 145°F 148588, TOD #10HG11</td> <td>50418, 201220, 145°F</td> <td>50417, 201234, 125°F</td> </tr> <tr> <td>#2</td> <td></td> <td>57953, 201614, 170°F 148588, TOD #10HG11</td> <td>50418, 201220, 145°F</td> </tr> <tr> <td>#3</td> <td></td> <td></td> <td>57953, 201614, 170°F 148588, TOD #10HG11</td> </tr> </tbody> </table> | | | Size 400 | Sizes 500/600/800 | Sizes 1050/1200 | #1 | 50418 , 201220, 145°F 148588 , TOD #10HG11 | 50418 , 201220, 145°F | 50417 , 201234, 125°F | #2 | | 57953 , 201614, 170°F 148588 , TOD #10HG11 | 50418 , 201220, 145°F | #3 | | | 57953 , 201614, 170°F 148588 , TOD #10HG11 |
| | Size 400 | Sizes 500/600/800 | Sizes 1050/1200 | | | | | | | | | | | | | | | | |
| #1 | 50418 , 201220, 145°F 148588 , TOD #10HG11 | 50418 , 201220, 145°F | 50417 , 201234, 125°F | | | | | | | | | | | | | | | | |
| #2 | | 57953 , 201614, 170°F 148588 , TOD #10HG11 | 50418 , 201220, 145°F | | | | | | | | | | | | | | | | |
| #3 | | | 57953 , 201614, 170°F 148588 , TOD #10HG11 | | | | | | | | | | | | | | | | |

| <p>Limit Controls & Shields used on Model Series RGLB and RPBL mfgd prior to 1/97</p> <p>Limit Shields</p>  <p>P/N 12229 P/N 9704</p> <p>Automatic Reset Limit Control, TOD #60T11</p>  | <table border="1" style="width:100%; border-collapse: collapse;"> <thead> <tr> <th style="width:10%;"></th> <th style="width:25%;">Size 400</th> <th style="width:25%;">Sizes 500/600/800</th> <th style="width:25%;">Sizes 1050/1200</th> </tr> </thead> <tbody> <tr> <td>#1</td> <td>50418, 201220, 145°F 12229, Limit Shield</td> <td>50418, 201220, 145°F 12229, Limit Shield</td> <td>50417, 201234, 125°F</td> </tr> <tr> <td>#2</td> <td></td> <td>57953, 201614, 170°F</td> <td>19080, 35675, 155°F 9704, Limit Shield</td> </tr> <tr> <td>#3</td> <td></td> <td></td> <td>57953, 201614, 170°F</td> </tr> </tbody> </table> | | Size 400 | Sizes 500/600/800 | Sizes 1050/1200 | #1 | 50418 , 201220, 145°F 12229 , Limit Shield | 50418 , 201220, 145°F 12229 , Limit Shield | 50417 , 201234, 125°F | #2 | | 57953 , 201614, 170°F | 19080 , 35675, 155°F 9704 , Limit Shield | #3 | | | 57953 , 201614, 170°F |
|--|--|---|---|-------------------|-----------------|-----------|---|---|------------------------------|-----------|--|------------------------------|---|-----------|--|--|------------------------------|
| | Size 400 | Sizes 500/600/800 | Sizes 1050/1200 | | | | | | | | | | | | | | |
| #1 | 50418 , 201220, 145°F 12229 , Limit Shield | 50418 , 201220, 145°F 12229 , Limit Shield | 50417 , 201234, 125°F | | | | | | | | | | | | | | |
| #2 | | 57953 , 201614, 170°F | 19080 , 35675, 155°F 9704 , Limit Shield | | | | | | | | | | | | | | |
| #3 | | | 57953 , 201614, 170°F | | | | | | | | | | | | | | |

Replacement Pilot -

All Furnaces
Replacement
Pilot Kits:
Natural Gas -
P/N 110861
Propane -
P/N 110862

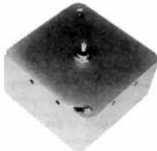


*Included in the replacement kit which covers several models of heaters; these parts are not used when replacing pilots on the heaters covered in this manual.

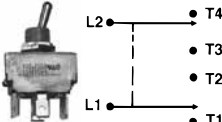
| Code | P/N | Component Description |
|------|--------|--|
| 1N | 61145 | Natural gas pilot with orifice, high tension lead, flame probe (less pilot tubing and flame sensor lead) |
| 1P | 61146 | Propane gas pilot with orifice, high tension lead, flame probe (less pilot tubing and flame sensor lead) |
| 2N | 63088 | Natural gas pilot orifice only (7221) |
| 2P | 37801 | Propane gas pilot orifice only (4209) |
| 3 | 5145 | Pilot tubing, 22" long |
| | 9664 | Nut with breakaway ferrules (2 required) |
| 4 | 44675 | Sensor lead 9" long |
| 5* | 112647 | Crimp-on, 90° Rajah terminal connector |
| 6* | 112648 | 90° Boot Terminal Protector |

Toggle Switches

P/N 40277, DPDT, 3-Position Toggle Switch in a 4x4 box (Same as Option CN1)



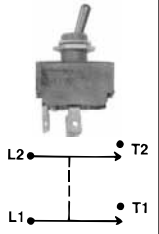
P/N 101900, DPDT, 3-Position Toggle Switch (replaces P/N 21826) - Used in Option CN1 and Remote Console
 Options RC5, RC6, RC7, RC8, RC10, RC11, RC12



P/N 39732, DPST, 2-Position Toggle Switch in a 2x4 box (Same as Option CN2)



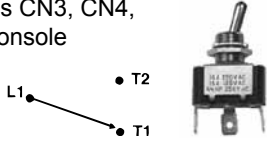
P/N 101902, DPST, 2-Position Toggle Switch (replaces P/N 16816) - Used in Options CN2, AG3, AG8, AG9 and Remote Console Option RC12



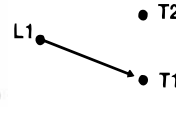
P/N 39733, SPDT, 2-Position Toggle Switch in a 2x4 box (Same as Option CN3)



P/N 101901, SPDT, 2-Position Toggle Switch (replaces P/N 1052) - Used in Options CN3, CN4, and Remote Console
 Options RC3, RC4, RC7, RC8, RC11



P/N 39748, SPST, 2-Position Toggle Switch in a 2x4 box (Same as Option CN4)
NOTE: When replacing SPST switch with SPDT switch, make wiring connections at appropriate two terminals for switch to function properly.

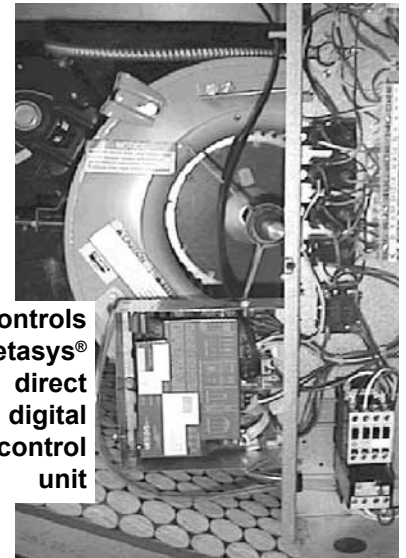


Electrical Components and Sensors when the system is equipped with a specially programmed Johnson Control Metasys® Unit for Direct Digital Control interface with the building's computerized environmental control system (Options D1, D2, D3, and D4)

| DDC Control Option for RGB/RPB only | D1 | D2 | D3 | D4 |
|---|----|----|----|----|
| Maintains constant mixed entering air temperature | X | - | X | - |
| Maintains constant discharge air temperature | - | X | - | X |
| Modulating Dampers | X | - | X | - |
| On/Off Dampers | - | X | - | X |
| Modulating Gas Control | X | X | - | - |
| Two-Stage Gas Control | - | - | X | X |
| Firestat (see Code 4, page 8) | X | X | X | X |
| Freezestat (see Code 2, page 8) | X | X | X | X |
| Air Proving Switch (see Code 43, page 10) | X | X | X | X |

| Component Description | D1 | D2 | D3 | D4 |
|---|--------------------------------------|--------|--------|--------|
| J/C Metasys® DDC Interface Unit, #AS-UNT121-1 | 171138 | 171139 | 171140 | 171141 |
| EMI Filter, Corcom #3VK1 | 171738 | | | |
| RBM Relay (2 on D1&2; 3 on D3&4) | Replacement Kit for each, P/N 263527 | | | |
| Fuse, 2.5 amp | 61542 | | | |
| Fuseholder, Buss HTB-481 | 60241 | | | |
| Duct Probe Temperature Sensor, J/C #TE-631 1P-1, | 171135 | | | |
| Remote Setpoint Selector, J/C #TE-6411S-2010 | 175646 | | | |
| Outdoor Temperature Sensor, J/C #TE-631 3P-1 | 171137 | | | |
| SPDT Switch in 2x4 Box (see above) | (2) 39733 | | | |
| DDC Damper Interface Module, H/W Q7230A (see Code 393, pg 23) | 171134 | -- | 171134 | -- |
| DDC Gas Control Interface Module (see photo right) | 134170 | | -- | -- |

Blower Cabinet



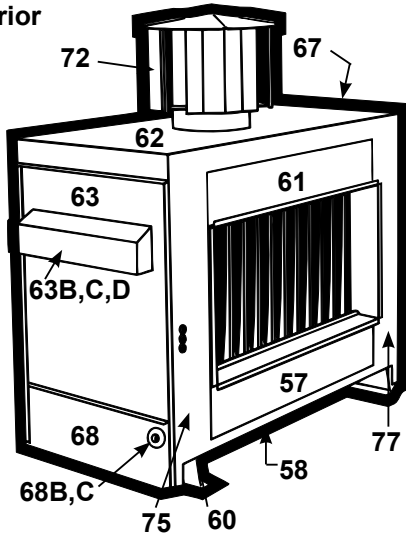
Johnson Controls Metasys® direct digital control unit

DDC Gas Control Interface Module in Options D1 and D2, P/N 134170

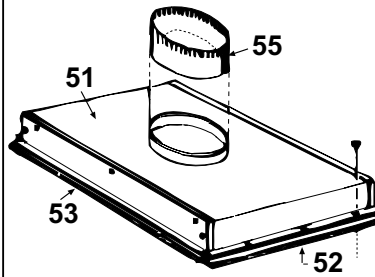


RG Cabinet and Flue Box Parts - Same parts apply to RG duct furnaces in packaged Model Series RGB and Series RGBL (Quantities listed are per furnace section.)

Basic Exterior Parts for Model RG

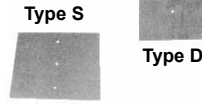


Flue Collection Box for Basic Model RG Furnace



Flue Restrictors - Codes 56 & 81

See Codes 56 & 81 below for type and size. For application by unit size, see Code 56 or 81 in the table below.



Codes 56 and 81 - Flue Restrictors by Type & Size

| P/N | Type | Size | P/N | Type | Size |
|-------|------|-----------------|--------|------|-------------------|
| 15584 | S | 6-7/16 x 6-7/16 | 89209 | D | 6-3/8 x 6-3/8 |
| 86440 | D | 5-5/8 x 5-5/8 | 89210 | S | 3 x 7-1/2 |
| 86454 | D | 7 x 7 | 89211 | S | 4-3/4 x 4-7/16 |
| 86479 | S | 1-3/4 x 5-3/4 | 89212 | D | 7-3/4 x 7-3/4 |
| 86485 | D | 6-1/4 x 6-1/4 | 89213 | S | 8-5/8 x 8-5/8 |
| 86488 | S | 8 x 8 | 136738 | D | 3-3/8 x 3-3/8 |
| 86490 | S | 4-7/8 x 11-3/4 | 136739 | S | 5 x 1-1/2 |
| 86492 | S | 4-1/4 x 4-1/4 | 136740 | D | 5-1/8 x 5-1/8 |
| 86493 | D | 6 x 6 | 136741 | D | 4-13/16 x 4-13/16 |
| 86495 | S | 8-1/2 x 8-1/2 | 136742 | D | 4-1/2 x 4-1/2 |
| 86496 | S | 4-3/4 x 4-3/4 | 136743 | D | 4-5/8 x 4-5/8 |
| 86497 | D | 7-3/8 x 7-3/8 | 136744 | D | 4-1/4 x 4-1/4 |
| 86498 | S | 9 x 9 | 136745 | D | 6-3/8 x 6-3/8 |
| 89205 | D | 5-3/4 x 5-3/4 | 136746 | D | 6-1/8 x 6-1/8 |
| 89206 | S | 3-5/8 x 7-1/2 | 136747 | D | 9-1/8 x 9-1/8 |
| 89208 | D | 6-7/8 x 6-7/8 | | | |

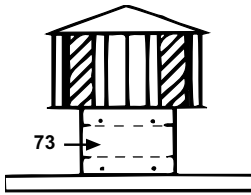
REZTOR® Label, P/N 196689

Gray Sealant (3M 900 Duct Sealer Fast Bond), P/N 100117

Cabinet Connector & Filler Parts for Multiple Furnaces - Model RGBL

| RGBL Size | 400 | 500/600 | 700 | 800 | 1050 | 1200 |
|--------------------------|-----|---------|--------|-----|--------|--------|
| Top Filler | -- | (1) | 105631 | | (2) | 105631 |
| Side Filler | -- | (2) | 105632 | | (4) | 105632 |
| Top & Btm Duct Connector | -- | (2) | 106338 | (2) | 106340 | (2) |
| Side Duct Connector | -- | (2) | 106395 | | (4) | 106395 |

Code 73 - Vent Cap Extension



| Furnace | | | 73 - Extension | |
|-----------|---------------|------------------------------|----------------|-------|
| Model | Sizes | Series | Height | P/N |
| RG, HRG | 300, 350, 400 | Prior to Series 8 & Series 8 | 12" | 20524 |
| CRG, HCRG | 350 | Prior to Series 8 & Series 8 | 12" | 20524 |
| | 400 | Series 8* | *12" | 20524 |

*Prior to Series 8, height was 7-1/4"; part is no longer available.

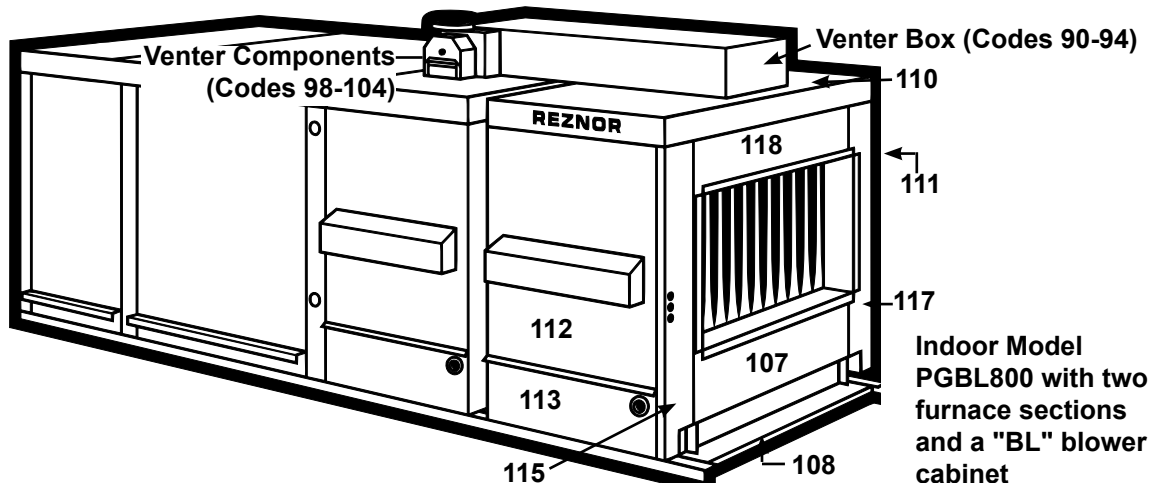
| Code | Description | RGBL Sizes | | Qty | 500 | | | | | | | | | | 600 | | 700, 1050 | | 400, 800, 1200 | |
|------|---|--------------------|--------|--------|--------|--------|--------|--------|---------|--------|--------|--------|--------|-------|-----|-----|-----------|--|----------------|--|
| | | RG/RGB | Series | | 75 | 100 | 125 | 150 | 175 | 200 | 225 | 250 | 300 | 350 | 400 | 400 | 800 | | | |
| 51 | Flue Collection Box Assembly | RG, HRG - All | 1 | 136749 | 136750 | 86437 | 136751 | 136752 | 136753 | 136754 | 136755 | 136756 | 136757 | 86470 | | | | | | |
| | | CRG, HCRG - All | 1 | 86476 | 86478 | 86480 | -- | 86482 | -- | 89207 | 86484 | 86486 | 86487 | 86489 | | | | | | |
| 52 | Collection Box Side Gasket Strip | | 2 | 62933 | | | | | | | | | | | | | | | | |
| 53 | Collection Box Front and Rear Gasket Strip | | 2 | 62921 | 62922 | 62924 | 62926 | 62928 | 62930 | 62932 | | | | | | | | | | |
| 55 | Flue Collar Assembly | | 1 | 103786 | 103788 | 12014 | 12015 | | | | | | | | | | | | | |
| 56 | Flue Restrictor - See Type and Size in chart above. | RG, HRG Series 8** | 1 | 136738 | 136739 | 86440 | 136740 | 136741 | 86493 | 136742 | 86493 | 86454 | -- | -- | | | | | | |
| | | CRG, HCRG - All | 1 | 86492 | 86479 | 89205 | -- | 89206 | -- | 89208 | 89209 | 89210 | 86488 | 86490 | | | | | | |
| 57 | Bottom Front & Rear Panel (Sizes 75-100 include insulation) | | 2 | 103644 | 100037 | 100038 | 100039 | 100040 | 100041 | 100042 | | | | | | | | | | |
| 58 | Heater Bottom Pan | Aluminized | 1 | 100000 | 100001 | 100002 | 100003 | 100004 | 100005 | | | | | | | | | | | |
| | | 409 Stainless | 1 | 104925 | 104926 | 104925 | 104926 | 104927 | 104928 | 104929 | 104930 | | | | | | | | | |
| 60 | Heater Mounting Rail | | 2 | 100126 | | | | | | | | | | | | | | | | |
| 61 | Top Front and Rear Panel (Sizes 75-100 include insulation) | | 2 | 103645 | 100030 | 100031 | 100032 | 100033 | 100034 | 100035 | | | | | | | | | | |
| 62 | Casing Top Assembly (include insulation) | | 1 | 103652 | 103653 | 103654 | 103655 | 103656 | *103657 | 103658 | 103659 | | | | | | | | | |
| 63 | Heater Upper Left Side Panel Assembly (includes Codes 63A, 63B, 63C, & 63D) | | 1 | 103646 | 103647 | | | | | | | | | | | | | | | |
| 63A | Heater Left Side Panel | | 1 | 100116 | | | | | | | | | | | | | | | | |
| 63B | Left Side Combustion Air Inlet Screen | | 1 | -- | -- | -- | | | 148396 | | | | | | | | | | | |
| 63C | Left & Right Side Combustion Air Inlet Shield | | 1 | 110697 | | | | | | | | | | | | | | | | |
| 63D | Left & Right Side Combustion Air Inlet Angle | | 1 | 12649 | | | | 10850 | | | | | | | | | | | | |
| 67 | Heater Right Side Panel Assembly (includes Codes 67A-C, 63C-D) | | 1 | 103648 | | | 103649 | | | | | | | | | | | | | |
| 67A | Heater Right Side Panel | | 1 | 100111 | | | | | | | | | | | | | | | | |
| 67B | Right Side Combustion Air Inlet Screen | | 1 | -- | -- | -- | | | 148396 | | | | | | | | | | | |
| 67C | Heater Right Side Panel Handle | | 1 | 100112 | | | | | | | | | | | | | | | | |

| Code | Description | RGLB Sizes | | Qty | | | | | | | | | | | |
|------|--|-----------------------|--|-----|----------------------------------|--------|-----------|--------|--------|------------|--------|--------|---------------------------------|--------|-----------|
| | | RG Sizes | | | 75 | 100 | 125 | 150 | 175 | 200 | 225 | 250 | 500 | 600 | 700, 1050 |
| 68 | Heater Bttm Left Side Assembly (includes 68A & 68B as listed) | Natural Gas | | 1 | 100298 (includes 68B P/N 102607) | | | | | | | | 100299 (includes 68B P/N 15021) | | |
| | | Propane | | 1 | 100298 (includes 68B P/N 102607) | | | | | | | | | | |
| 68A | Heater Bottom Left Side Panel | | | 1 | 100125 | | | | | | | | | | |
| 68B | Vinyl Grommet | | | 1 | 102607, #1020-K, 1/2" | | | | | | | | 15021, #1020, 3/4" | | |
| | | | | | -- | -- | -- | -- | -- | -- | -- | -- | -- | -- | -- |
| 72 | Vent Cap | | | 1 | 110053, 6" | | 61857, 8" | | | 61866, 10" | | *61875 | 61875, 12" | | |
| 73 | Vent Cap Extension | See Table on page 12. | | | | | | | | | | | | | |
| 74 | Left Rear Heater Leg | | | 1 | 100009 | | | 100013 | | | | | | | |
| 75 | Left Front Heater Leg | | | 1 | 100007 | | | 100011 | | | | | | | |
| 76 | Right Rear Heater Leg | | | 1 | 100008 | 100008 | 100012 | 100012 | 100012 | 100012 | 100012 | 100012 | 100012 | 100012 | |
| 77 | Right Front Heater Leg | | | 1 | 100006 | 100006 | 100010 | 100010 | 100010 | 100010 | 100010 | 100010 | 100010 | 100010 | |
| 78 | Baffle | | | 1 | 10921 | | | | | | | | | | |
| 79 | Top Seal Brace | | | 2 | 100162 | | 100163 | 100164 | | 100165 | | 100166 | | 100167 | 100168 |
| 80 | Hanger Angle | | | 2 | 11012 | | | | | | | | | | |
| 81 | "Z" Baffle w/optional extended stack (Opt ZZ) - See chart pg 12. | RG, HRG Series 8** | | 1 | 136743 | 136744 | 136745 | 136746 | 86493 | 89212 | 15596 | 86454 | 136747 | 86495 | 86495 |
| | | CRG, HCRG - All | | 1 | 86496 | 89211 | 15584 | -- | 86485 | -- | 86488 | 89212 | 86497 | 86498 | 89213 |

* Model CRG300 - Casing Top Assembly, P/N 103656 and Vent cap (10"), P/N 61866

** These replacement parts for Models RG, HRG manufactured prior to Series 8 (5/95) are no longer available; see page 3.

Indoor Packaged Model PGBL Furnace Cabinet and Venter Box Parts



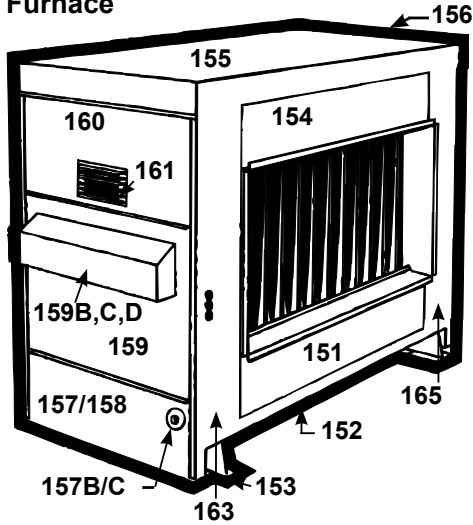
Indoor Model PGBL800 with two furnace sections and a "BL" blower cabinet

| Code | Description | 400 | 800 | 1200 |
|------|-------------------------------------|-------------------------------------|--|------------------------|
| 90 | Venter Box Bottom | 150971 | 149851 | 149852 |
| 91 | Venter Box Cover | 149853 | 149854 | 149855 |
| 92 | Venter Cover End | 150974 | 149856 | |
| 93 | Venter Gasket | -- | 149857 | |
| 94 | Venter Baffle | -- | 150973 | |
| 95 | Flow Sensing Probe | 151559 | | |
| 96 | Sensor Bracket | 123910 | | |
| 97 | Silicone Tubing | 151564, 17" Red Tubing | 147905, 9" Red Tubing | |
| 98 | Venter Housing | 151560 | 151343 | |
| 99 | Venter Motor | 115V/1Ph | 87434 Fasco #7162-1775 | 16074 A. O. Smith #199 |
| | | 208V/1Ph | 30249 Fasco #7162-0186 | 16074 A. O. Smith #199 |
| | | 230V/1Ph | 29571 Fasco #7162-0158 | 16074 A. O. Smith #199 |
| | | 208V/3Ph | 30249 Fasco #7162-0186 | 16075 Century 8-125439 |
| | | 230V/3Ph | 29571 Fasco #7162-0158 | 16075 Century 8-125439 |
| | | 460V/3Ph | 87434 Fasco #7162-1775 | 16075 Century 8-125439 |
| | 575V/3Ph | 87434 Fasco #7162-1775 | 16074 A. O. Smith #199 | |
| 100 | Capacitor | 163894, Ronken 4MFD 370V | | |
| 101 | Venter Wheel | 29792 Torrington #AA408228, 1-5/16" | 8735 Torrington #AA729-419-7-29/32-4-17/32 | |
| 102 | Venter Fan | 29793 | | |
| 103 | Venter Junction Box | 29595 | | |
| 104 | Junction Box Cover | 29596 | | |
| 105 | Flue Collection Box Assy (interior) | 149859 | (2)149859 | (3)149859 |
| 106 | Flue Collar Assy (interior) | 150326 | (2)150326 | (3)150326 |

| Code | Description | 400 | 800 | 1200 |
|------|---|---------------|-----------|---------------------|
| 107 | Bottom Front & Rear Panel | (2)100042 | (4)100042 | (6)100042 |
| 108 | Furnace Bottom Pan | Aluminized | 100005 | (2)100005 (3)100005 |
| | | 409 Stainless | 104930 | (2)104930 (2)104930 |
| 109 | Heater Mounting Rail | (2)100126 | (4)100126 | (6)100126 |
| 110 | Casing Top Assembly (includes insulation) | 100050 | (2)100050 | (3)100050 |
| 111 | Right Side Panel Assembly (includes Codes 111A-B) | 103649 | (2)103649 | (3)103649 |
| 111A | Heater Right Side Panel | 100111 | (2)100111 | (3)100111 |
| 111B | Right Side Panel Handle | 100112 | (2)100112 | (3)100112 |
| 112 | Heater Left Side Assembly (includes Codes 112A-D) | 103647 | (2)103647 | (3)103647 |
| 112A | Heater Left Side Panel | 100116 | (2)100116 | (3)100116 |
| 112B | Cmbstn Air Inlet Screen | 148396 | (2)148396 | (3)148396 |
| 112C | Cmbstn Air Inlet Shield | 110697 | (2)110697 | (3)110697 |
| 112D | Cmbstn Air Inlet Angle | 10850 | (2)10850 | (3)10850 |
| 113 | Bottom Left Side Panel | 100299 | (2)100299 | (3)100299 |
| 114 | Left Rear Heater Leg | 100013 | (2)100013 | (3)100013 |
| 115 | Left Front Heater Leg | 100011 | (2)100011 | (3)100011 |
| 116 | Right Rear Heater Leg | 100012 | (2)100012 | (3)100012 |
| 117 | Right Front Heater Leg | 100010 | (2)100010 | (3)100010 |
| 118 | Top Front & Top Rear | (2)100035 | (4)100035 | (6)100035 |
| 119 | Baffle | 10921 | (2)10921 | (3)10921 |
| 120 | Top Seal Brace | (2)100168 | (4)100168 | (6)100168 |
| 121A | Top/Btm Ht Exch Connector | -- | (2)106340 | (4)106340 |
| 121B | Side Heat Exch Connector | -- | (2)106395 | (4)106395 |

Model RP Cabinet and Collection Box Parts - Same parts apply to RP duct furnaces in packaged Model Series HRPD, RPB, RPBL, & RPDBL (Quantities listed are per furnace section.)

Basic Exterior Parts for Model RP Furnace

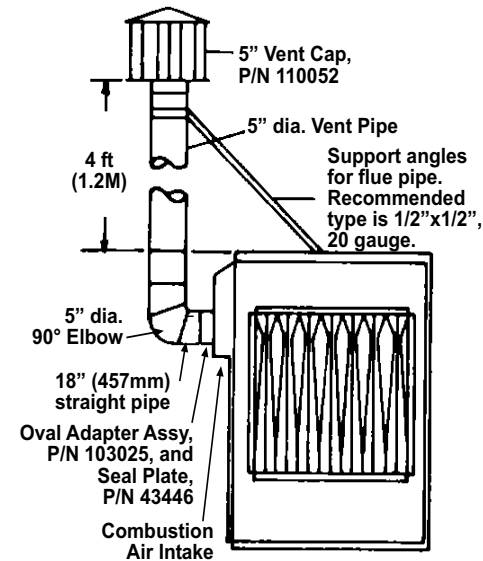


| Cabinet Connector & Filler Parts for Multiple Furnaces - Models HRPD & RPBL | | | | | | | | |
|---|------------|------------|------------|------------|------------|------------|------------|------------|
| HRPD Size | 250 | 300/350 | 400 | 500/600 | 700 | 800 | - | - |
| RPBL Size | - | - | 400 | 500/600 | 700 | 800 | 1050 | 1200 |
| Top Filler | 111092 | 111093 | 111094 | 105629 | 105630 | 105631 | (2) 105630 | (2) 105631 |
| Gasket | (2) 103605 | (2) 103606 | (2) 103607 | (2) 103608 | (2) 103609 | (2) 103610 | (4) 103609 | (4) 103610 |
| Side Filler | (2) 105632 | | | | | (4) 105632 | | |
| Top & Btm Duct Connector | (2) 107427 | (2) 107428 | (2) 107429 | (2) 106338 | | | | |
| Side Duct Connector | (2) 106395 | | | | | | (4) 106395 | |

REZNOR Label, P/N 196689

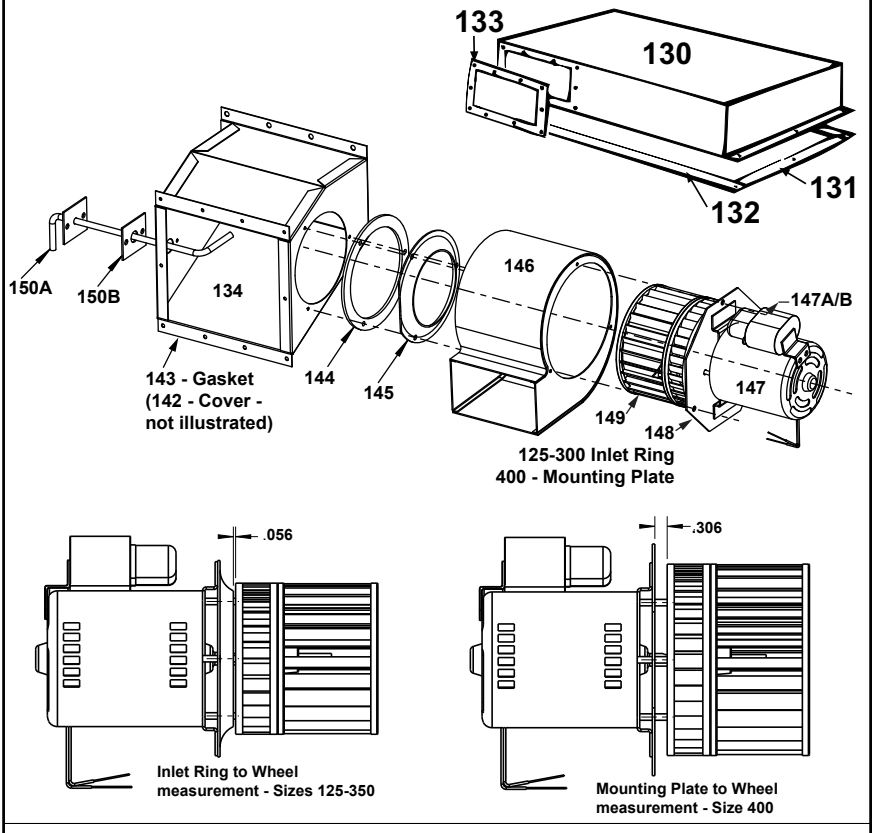
Gray Sealant (3M 900 Duct Sealer Fast Bond), P/N 100117

Code 168 - Vertical Vent Kit, P/N 45021 (Same as Option CC3)

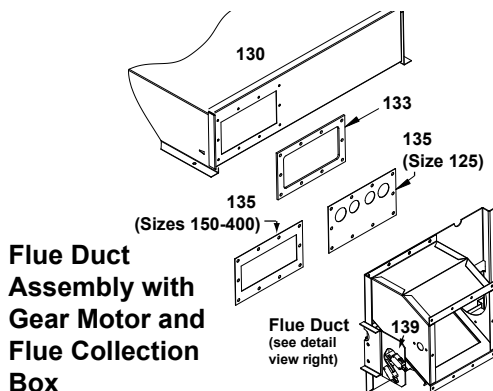


NOTES: Support angles and all piping are field supplied. One kit for each furnace section.

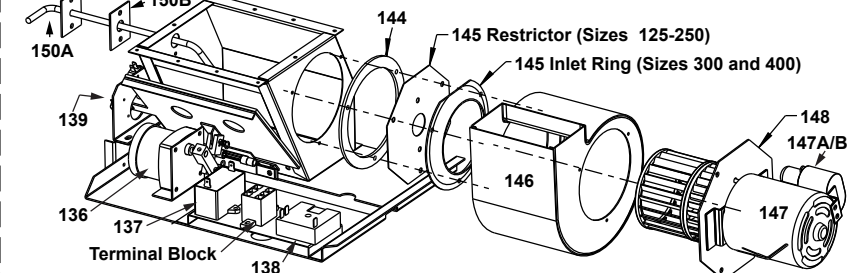
Flue Collection Box and Venter for single furnace RP/RPB Series units without Opt AG 39 or 40, and multiple furnace units (Model HRPD and RPBL) without Option AG 41 or 42 and 2nd and 3rd furnaces on units with Option 41 or 42.



Options AG 39, 40, 41 or 42 (1st furnace only w/Opt AG 41 & 42)



Assembly with Gear Motor and Venter



NOTE: AG 39 and 40 apply to RP series models with one furnace. AG 41 and 42 apply to models with more than one furnace (HRPD, RPBL). Flue duct and gear motor parts shown here apply to the first furnace section only.

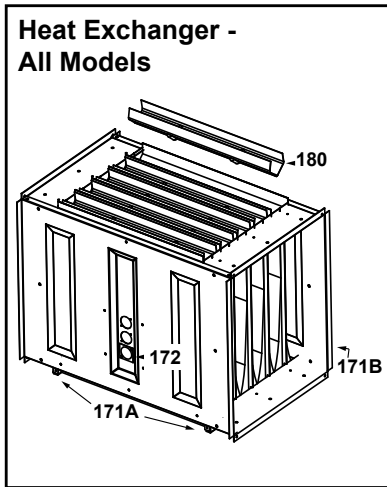
| Code | Description (If special application is not listed, part applies to all Model RP Series units.) | Model (C)(H)(HC)RP(B) Sizes | Qty per furnace section | 125 | 150 | 175 | 200 | 225 | 250 | 300 | 350 | 400 | | | |
|------------------|---|--|-------------------------|---|--------|--------|--------|--------|--------|--------|--------|--------|--------------------------|----------|--------------|
| | | | | | | | | | | | | 500 | 600 | 700/1050 | 400/800/1200 |
| | | | | Model RPBL Sizes | | | | | | | | 1000 | 1200 | 1400 | 800 / 1600 |
| | | | | Model RPDBL Sizes | | | | | | | | 250 | 300 | 350 | 400 |
| Model HRPD Sizes | | | | | | | | 500 | 600 | 700 | 800 | | | | |
| 130 | Flue Collection Box Assembly | RP, HRP prior to Series 8 | 1 | 92794 | 92795 | 92796 | | | 92797 | 92798 | 88348 | | | | |
| | | RP, HRP Series 8 | 1 | 88353 | 88357 | 136748 | | | 88359 | 92798 | 88348 | | | | |
| | | CRP, HCRP - All (no Series 8) | 1 | 88353 | -- | 88357 | -- | -- | 88359 | -- | 88348 | | | | |
| 131 | Collection Box Side Gasket Strip | | 2 | 62933 | | | | | | | | | | | |
| 132 | Collection Box Front and Rear Gasket Strip | | 2 | 62922 | 62924 | 62926 | | | 62928 | 62930 | 62932 | | | | |
| 133 | Flue Duct Gasket | | 1 | 31900 | | | | | | | | | | | |
| 134 | Flue Duct Assembly | | 1 | 68375 (All except units with Opt AG 39 & 40 & 1st furnace w/Opt AG 41 & 42) | | | | | | | | | | | |
| 135 | Flue Duct Restrictor | For RP Series units with Option AG39 or AG40 & 1st furnace with Option AG41 or AG42 manufactured beginning 11/03 | 1 | 174817 | 175783 | 175788 | 175789 | 175790 | -- | -- | | | | | |
| 136 | Gear Motor | | 1 | 206144 | | | | | | | | -- | 206144 | | |
| 137 | Gear Mtr Capacitor, 15MFD | | 1 | 206145 | | | | | | | | -- | 206145 | | |
| 138 | Time Delay Relay | | 2 | 262337 (*NOTE: To replace relay, P/N 206146, THD72110SA, order Replacement Kit 262375.) | | | | | | | | -- | 262337 (*See NOTE left.) | | |
| 139 | Safety End Switch | All AG39, AG40, AG41 & AG42 | 2 | 174812 | | | | | | | | -- | 174812 | | |
| 140 | Replacement Gear Mtr Kit (to replace solenoid valve) | For RP Series units with Option AG39 or AG40 & 1st furnace with Option AG41 or AG42 manufactured prior to 11/03 | 1 | 208474 | | | | | | | | -- | 208475 | | |
| 141 | Replacement Solenoid Actuator only (select by voltage) | | 1 | 174847 (460V) | | | | | | | | -- | 174847 | | |
| | | | 1 | 174846 (208/230V) | | | | | | | | -- | 174846 | | |
| | | | 1 | 174814 (115V) | | | | | | | | -- | 174814 | | |
| 142 | Flue Duct Cover Plate | | 1 | 41995 | | | | | | | | | | | |
| 143 | Cover Plate Gasket | | 1 | 41996 | | | | | | | | | | | |
| 144 | Venter Gasket | | 1 | 44695 | | | | | | | | | | | |
| 145 | Venter Restrictor (* P/N 62594 is an inlet ring not a restrictor.) | Models RP, HRP | 1 | 43254 | 43255 | 43256 | 43257 | 43258 | 43259 | 43260 | 43261 | -- | | | |
| | | Models CRP, HCRP | 1 | 88506 | -- | 68382 | -- | -- | 68386 | 88507 | -- | 88508 | | | |
| | | w/Opt AG 39, 40, 41, 42 | 1 | 68388 | 68386 | 68390 | 43260 | 175787 | 43260 | 62594* | -- | 62594* | | | |
| 146 | Venter Housing | | 1 | 92778 | | | | | | | | | 92792 | | |
| 147 | **Venter Motor & Capacitor (If unit was mfgd before 7/94, do not order motor or motor mounting plate (CODE 148). See list of replacement kits on bottom of page.) | 115V | 1 | 131410 | | | | | | | | | | | |
| | | 208V | 1 | 131415 | | | | | | | | | | | |
| | | 230V | 1 | 131415 | | | | | | | | | | | |
| | | 460V | 1 | 165986 | | | | | | | | | | | |
| | | 575V | 1 | 131410 | | | | | | | | | | | |
| 147A | Venter Motor Capacitor only, Ronken 4MFD, 370V | | 1 | 163894 | | | | | | | | | | | |
| 147B | Capacitor Boot, Syntex #M-78 | | 1 | 103182 | | | | | | | | | | | |
| 148 | **Venter Motor Mounting Plate or Inlet Ring | Model RP, HRP | 1 | 131445 | | | | | | | | 131448 | | | |
| | | Model CRP, HCRP | 1 | 131445 | | | | | | | | 131446 | | | |
| 149 | Venter Wheel | | 1 | 43425 | | | | | | | | 43814 | | | |
| 150A | Sensing Tube | | 1 | 175800 | | | | | | | | | | | |
| 150B | Sensing Tube Spacer | | 1 | 73906 | | | | | | | | | | | |
| 151 | Bottom Front & Rear Panel (Sizes 125-175 include insulation) | | 2 | 100272 | 100273 | 100039 | 100040 | 100041 | 100042 | | | | | | |
| 152 | Heater Bottom Pan | Aluminized | 1 | 100000 | 100001 | 100002 | 100003 | 100004 | 100005 | | | | | | |
| | | 409 Stainless | 1 | 104925 | 104926 | 104927 | 104928 | 104929 | 104930 | | | | | | |
| 153 | Heater Mounting Rail | | 2 | 100126 | | | | | | | | | | | |
| 154 | Top Front & Rear Panel (Sizes 125-175 include insulation) | | 2 | 100295 | 100296 | 100032 | 100033 | 100034 | 100035 | | | | | | |
| 155 | Casing Top Assembly (includes insulation) | | 1 | 100288 | 100289 | 100290 | 100291 | 100291 | 100292 | 100293 | | | | | |
| 156 | Heater Right Side Panel Assembly (includes Codes 156A&B) | | 1 | 100294 | | | | | | | | | | | |
| 156A | Heater Right Side Panel | | 1 | 100118 | 100118 | 100118 | 100118 | 100118 | 100118 | 100118 | 100118 | | | | |
| 156B | Heater Right Side Panel Handle | | 1 | 100112 | 100112 | 100112 | 100112 | 100112 | 100112 | 100112 | 100112 | | | | |
| 157 | Heater Btm Left Side Assy | Natural Gas (includes 157A & B or C) | 1 | 100298 | | | | | | | | 100299 | | | |
| 157A | Heater Btm Left Side Panel | | 1 | 100125 | | | | | | | | | | | |
| 157B | Vinyl Grommet #1020-K, 1/2" | | 1 | 102607 | | | | | | | | -- | -- | | |
| 157C | Vinyl Grommet #1020, 3/4" | | 1 | -- | -- | -- | -- | -- | -- | 15021 | | | | | |
| 158 | Heater Btm Left Side Assy | Propane (includes Codes 157A&B) | 1 | 100298 | | | | | | | | | | | |
| 159 | Heater Center Left Side Panel Assy (includes Codes 159A-D) | | 1 | 103660 | 100318 | | | | | | | | | | |
| 159A | Heater Center Left Side panel (panel only) | | 1 | 100297 | | | | | | | | | | | |
| 159B | Combustion Air Inlet Screen | | 1 | 148396 | | | | | | | | | | | |
| 159C | Combustion Air Inlet Shield | | 1 | 110697 | | | | | | | | | | | |
| 159D | Combustion Air Inlet Angle | | 1 | 12649 | 10850 | | | | | | | | | | |
| 160 | Heater Top Left Side Panel | | 1 | 100115 | | | | | | | | | | | |
| 161 | Grill Assembly | | 1 | 41992 | | | | | | | | | | | |
| 162 | Left Rear Heater Leg | | 1 | 100013 | | | | | | | | | | | |
| 163 | Left Front Heater Leg | | 1 | 100011 | | | | | | | | | | | |
| 164 | Right Rear Heater Leg | | 1 | 100012 | | | | | | | | | | | |
| 165 | Right Front Heater Leg | | 1 | 100010 | | | | | | | | | | | |
| 166 | Hanger Angle | | 2 | 11012 | | | | | | | | | | | |
| 167 | Top Seal Brace | | 2 | 100163 | 100164 | 100165 | 100166 | 100167 | 100168 | | | | | | |
| 168 | Vertical Vent Kit, P/N 45021 - See illustration, page 14. | | | | | | | | | | | | | | |

**** Codes 147 & 148**, replacement venter motor and venter motor mounting plate, apply to units manufactured *after the dates* shown in the table *right*. For units manufactured prior to the dates listed, replacing a venter motor must be done with a venter motor replacement kit that includes a new motor mounting plate.

Venter Motor Replacement Kits

| Voltage | P/N | Applies to Heaters Manufactured |
|--------------|--------|-------------------------------------|
| 115V | 132377 | prior to 7/94 (Serial No. Code ATG) |
| 208V or 230V | 132378 | prior to 7/94 (Serial No. Code ATG) |
| 460V | 132379 | prior to 3/94 (Serial No. Code ATC) |
| 575V | 132377 | prior to 7/94 (Serial No. Code ATG) |

Heat Exchanger & Components - Applies to all Models (one heat exchanger per furnace section; directional baffles apply as listed)



| Code | Description | Model (C)(H)(HC)RG/RP(B) Sizes Model RPBL, RGLB, PGLB Sizes Model RPDBL Sizes Model HRPD Sizes | Qty per furnace section | 75/100 | 125 | 150/175 | 200/225 | 250/300 | 350 | 400 |
|------|--|---|-------------------------|--|-------|---------|---------|-----------|----------|--------------|
| | | | | | | | | 500/600 | 700/1050 | 400/800/1200 |
| | | | | | | | | 1000/1200 | 1400 | 800 / 1600 |
| | | | | | 250 | 300/350 | 400 | 500/600 | 700 | 800 |
| 170 | Heat Exchanger | Aluminized Steel 409 Stainless Steel 321 Stainless Steel | 1 | 44301 | 44304 | 44307 | 44310 | 44313 | 44316 | 44319 |
| | | | 1 | 44302 | 44305 | 44308 | 44311 | 44314 | 44317 | 44320 |
| | | | 1 | 44303 | 44306 | 44309 | 44312 | 44315 | 44318 | 44321 |
| 171A | Burner Rack Slide Rail | | 2 | 9897 | 9857 | 9819 | 9781 | 9745 | 9709 | 9517 |
| 171A | Burner Rack Back Brace | | 1 | 9525 | | | | | | |
| 172 | Gasket for Fan Control, Limit Control, Patch Plate | | 2 | 17083 | | | | | | |
| 173 | Patch Plate (not illustrated) | | 1 | 9814 | | | | | | |
| 174 | Support Bracket RG,CRG,RP,CRP & "B" Models | | > | (2) | (2) | (2) | (2) | (4) | (4) | (4) |
| 175 | Finger Baffle RG,CRG,RP,CRP & "B" Models | | > | 45399 | | | | | | |
| 176 | Btm Baffle Spprt RG,CRG,RP,CRP & "B" Models | | 1 | (3) | (4) | (6) | (8) | (11) | (13) | (15) |
| 176 | Btm Baffle Spprt RG,CRG,RP,CRP & "B" Models | | 1 | 46478 | 46484 | 46489 | 46494 | 46499 | 46504 | 46509 |
| 177 | Rear Top Baffle Support | | 1 | 55103 | 55104 | 55106 | 55108 | 55110 | 55112 | 55114 |
| 178 | Rear Top Baffle | | 1 | 55116 | 55117 | 55119 | 55121 | 55123 | 55125 | 55127 |
| 179 | Side Finger Baffle RG, CRG, RP, CRP & "B" Models | | 2 | 55128 | | | | | | |
| 180 | Heat Exchanger Tube Baffles | Series 8 - All Models; Prior to Series 8 - "C" Models Only | > | 85727 ("V" Baffle) | | | | | | |
| 180 | Heat Exchanger Tube Baffles | Series 8 - All Models; Prior to Series 8 - "C" Models Only | > | (4) | (5) | (7) | (9) | (12) | (14) | (16) |
| 181 | High CFM Conversion Kit (RP duct furnace only) | | 1 | 263308 (to convert Model RP to allow for higher CFM) | | | | | | |

Heat Exchanger Directional Air Baffles

1) Models RG, CRG, RGB, CRGB, RP, CRP, RPB, CRPB are equipped with a heat exchanger directional air baffle assembly as illustrated below (right).

NOTE: Beginning 1/2012, RPB units are built with or without these heat exchanger baffles depending on the CFM on the original order. When replacing a heat exchanger, check to see if the baffle assembly can be salvaged. If

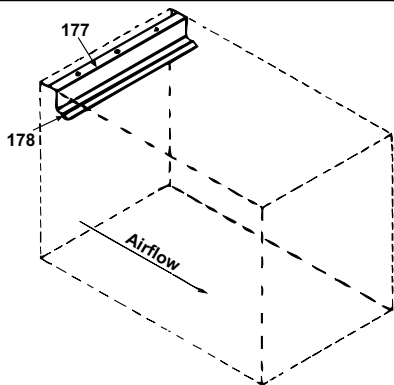
the baffle assembly cannot be salvaged, it will be necessary to order the parts (Codes 174-179) in the quantities listed and assemble and install replacement baffles.

2) Models HRG, HCRG, HRP, HCRP, HRGB, HCRGB, HRPB, HCRPB, and the discharge furnace only on Models HRPD, RGLB, CRGBL, RPBL, and CRPBL are equipped with only a rear top baffle support (Code 177) and a rear top baffle (Code 179). If these

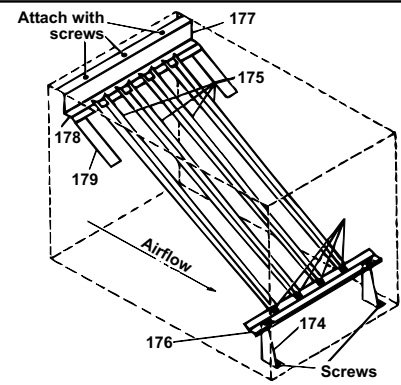
parts cannot be salvaged, order and install replacements. These parts are not installed in the replacement heat exchanger at the factory. They must be ordered separately and installed in the field.

NOTE: See page 3 for no-longer-manufactured models. Effective 9/11, HRP is no longer available but a high CFM conversion kit is available for Model RP units; see Code 181 above.

Heat Exchanger Baffle in an "H" Model and "BL" Discharge Furnace only

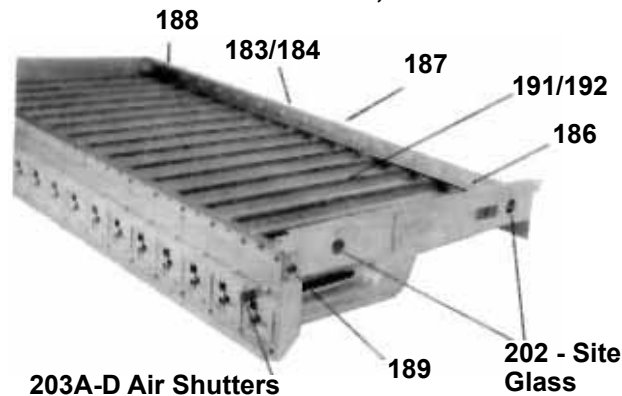


Heat Exchanger Baffles - apply to Models listed in 1) above

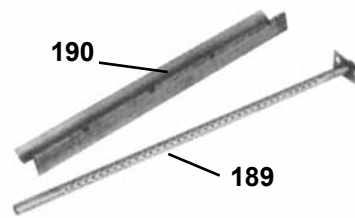


Burner Rack and Components - all Models as listed in the Table (one per furnace section)

Codes 183/184 - Burner Rack, All Models



Carryover Tube and Drip Shield



Code 193 - Manifold



Main Burner Orifice - Drill Size to P/N

| Size | 41 | 42 | 43 | 44 | 45 | 55 | 1.20mm | 1.45mm | 1.50mm |
|------|-------|-------|-------|-------|-------|-------|--------|--------|--------|
| P/N | 11792 | 84437 | 11828 | 11833 | 38678 | 11830 | 63003 | 61652 | 93410 |

Carryover Orifice - Drill Size to P/N

| Size | 70 | 65 | 59 | 57 | 56 | 54 |
|------|------|------|-------|-------|------|------|
| P/N | 9870 | 9680 | 10370 | 38274 | 9791 | 9792 |

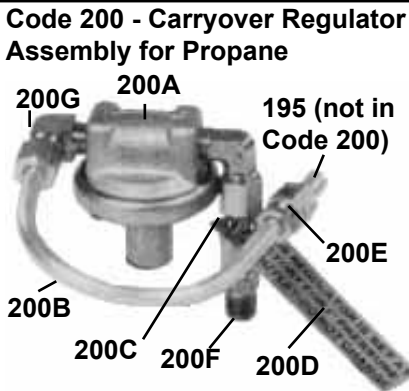
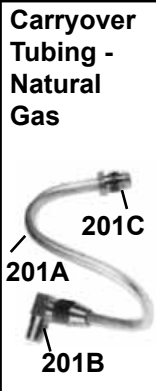


| Code | Description | Model (C)(H)(HC)RG/RP(B) Sizes | | | | | | | | | | | | |
|----------------|---|---|-------------------|--------|--------|--------|-------|--------|--------|-----------|----------------|--------|--------|--------|
| | | 75 | 100 | 125 | 150 | 175 | 200 | 225 | 250 | 300 | 350 | 400 | | |
| | | Model RPBL, RGLB, PGBL Sizes | | | | | | 500 | 600 | 700, 1050 | 400, 800, 1200 | | | |
| | | Model RPDBL Sizes | | | | | | 1000 | 1200 | 1400 | 800 / 1600 | | | |
| | | Model HRPD Sizes | | | 250 | 300 | 350 | 400 | 500 | 600 | 700 | 800 | | |
| 183 | Burner Rack Aluminum with Carryovers & Air Shutters | 65972 | 65973 | 65974 | 65975 | 65976 | 65977 | 65978 | | | | | | |
| | Burner Rack Stainless Steel with Carryovers & Air Shutters | 65980 | 65981 | 65982 | 65983 | 65984 | 65985 | 65986 | | | | | | |
| 184 | Replacement Burner Rack Stainless Steel with Carryovers for RP units with Gas Control Option AG 39, 40, 41 and 42 | -- | -- | 92813 | 92814 | 92814 | 92815 | 92815 | 92816 | 92816 | -- | 92818 | | |
| 185 | Flash Carryover (one piece) | 63128 | 63131 | 63138 | -- | -- | -- | -- | -- | -- | -- | -- | | |
| 186 | Flash Carryover Right Section | -- | -- | -- | -- | 63148 | 63141 | 63148 | 63152 | | | | | |
| 187 | Flash Carryover Center Section | -- | -- | -- | -- | -- | 63156 | 68071 | | | | | | |
| 188 | Flash Carryover Left Section | -- | -- | -- | -- | 63144 | | | | | | | | |
| 189 | Carryover Lighter Tube (Tube only) | 9899 | 9859 | 9821 | 9783 | 9747 | 9711 | 9520 | | | | | | |
| 190 | Carryover Lighter Tube Drip Shield | 15015 | 15014 | 15013 | 15012 | 15011 | 15010 | 14957 | | | | | | |
| 191 | Main Burner Tube - Aluminized | 85218 | | | | | | | | | | | | |
| | Qty per burner assembly | (4) | (4) | (5) | (7) | (7) | (9) | (9) | (12) | (12) | (14) | (16) | | |
| 192 | Main Burner Tube - Stainless Steel | 87954 | | | | | | | | | | | | |
| | Qty per burner assembly | (4) | (4) | (5) | (7) | (7) | (9) | (9) | (12) | (12) | (14) | (16) | | |
| 193 | Manifold (less orifices) | 86338 | 86339 | 86340 | 86342 | 86343 | 86344 | 86345 | | | | | | |
| 194 | Burner Orifice Size - See Table bottom of page 16 for P/N's. | (H)RG; PGBL Natural Gas | All Series | 45 | 41 | 41 | 43 | 41 | 43 | 41 | 44 | 41 | 41 | 41 |
| | | (H)CRG Natural Gas | All Series | 45 | 43 | 43 | -- | 43 | -- | 43 | 45 | 43 | 43 | 43 |
| | | (H)RP Natural Gas | Prior to Series 8 | -- | -- | 42 | 44 | 42 | 43 | 42 | 44 | 42 | 42 | 42 |
| | | | Series 8 | -- | -- | 42 | 44 | 42 | 43 | 42 | 44 | 42 | 42 | 42 |
| | | (H)CRP Natural Gas | Prior to Series 8 | -- | -- | 43 | -- | 43 | -- | -- | 45 | 43 | -- | 43 |
| | | (H)RG; PGBL Propane | All Series | 1.20mm | 1.45mm | 1.45mm | 55 | 1.45mm | 55 | 1.45mm | 55 | 1.45mm | 1.45mm | 1.45mm |
| | | (H)CRG Propane | All Series | 1.20mm | 55 | 55 | -- | 55 | 55 | 55 | 1.20mm | 55 | 55 | 55 |
| | | | Prior to Series 8 | -- | -- | 1.45mm | 55 | 1.45mm | 55 | 1.45mm | 55 | 1.45mm | 1.50mm | 1.45mm |
| | | (H)RP Propane | Series 8 | -- | -- | 1.45mm | 55 | 1.45mm | 55 | 1.45mm | 55 | 1.45mm | 1.50mm | 1.45mm |
| (H)CRP Propane | Prior to Series 8 | -- | -- | 55 | -- | 55 | -- | -- | 1.20mm | 55 | -- | 55 | | |
| 195 | Carryover Orifice Size - See Table bottom of page 16 for P/N's. | (H)RG Natural Gas | All Series | 70 | 70 | 70 | 65 | 65 | 59 | 59 | 59 | 59 | 54 | 54 |
| | | (H)CRG Natural Gas | All Series | 70 | 70 | 70 | -- | 65 | -- | 59 | 59 | 59 | 54 | 54 |
| | | (H)RP Natural Gas | Prior to Series 8 | -- | -- | 70 | 65 | 65 | 65 | 65 | 59 | 59 | 57 | 56 |
| | | | Series 8 | -- | -- | 70 | 65 | 65 | 65 | 65 | 59 | 59 | 57 | 56 |
| | | (H)RP Natural Gas with AG 39, 40, 41, or 42 | -- | -- | 70 | 65 | 65 | 65 | 65 | 59 | 59 | -- | 56 | |
| | | (H)CRP Natural Gas | Prior to Series 8 | -- | -- | 70 | -- | 65 | -- | -- | 59 | 59 | -- | 56 |
| | | (H)RG Propane | All Series | 70 | 70 | 70 | 65 | 65 | 65 | 65 | 59 | 59 | 56 | 56 |
| | | (H)CRG Propane | All Series | 70 | 70 | 70 | -- | 65 | -- | 65 | 59 | 59 | 56 | 56 |
| | | | Prior to Series 8 | -- | -- | 70 | 65 | 65 | 65 | 65 | 59 | 59 | 57 | 56 |
| (H)RP Propane | Series 8 | -- | -- | 70 | 65 | 65 | 65 | 65 | 59 | 59 | 57 | 56 | | |
| (H)CRP Propane | Prior to Series 8 | -- | -- | 70 | -- | 65 | -- | -- | 59 | 59 | -- | 56 | | |

Manual Gas Valves

Reference: For electric valves, see Form P-VALVES

| | |
|---|---|
| Pilot Shutoff Valve, P/N 3284 |  |
| Ball Valve Adapter 1", P/N 110758; 1-1/4", P/N 110759; 1/2", P/N 120373; 3/4", P/N 120169 |  |
| 125 PSIG Gas Valve 1", P/N 159725; 1-1/4", P/N 159729 |  |
| Aluminum Shutoff Valves 1/2", P/N 196910, with Union, P/N 15971; 3/4", P/N 196911, with Union, P/N 15972 |  |

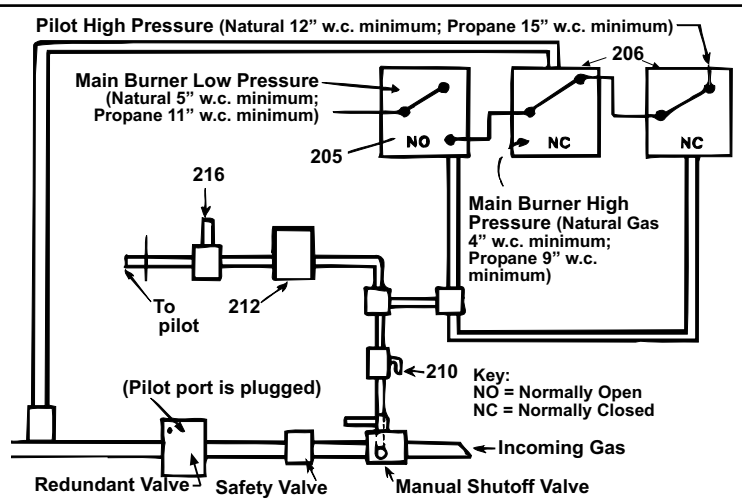
Burner Rack and Components (cont'd) - (one per furnace section)

| | | |
|---|---|--|
| Code 200 - Carryover Regulator Assembly for Propane  | Carryover Tubing - Natural Gas  | Burner Air Shutter Hardware 203B  |
| | | Code 204 - Carryover Regulator for Furnace Sections with Electronic Modulation Opt AG39, AG40, AG41, or AG42  <p>See Code 11, pg 9, for location.</p> |

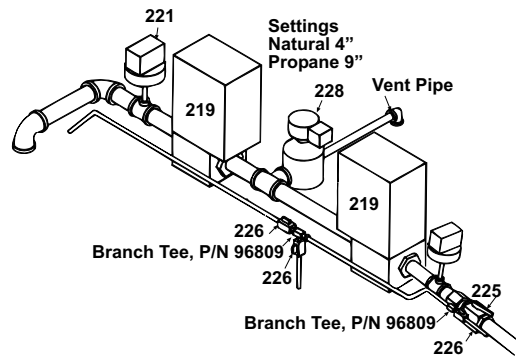
| Code | Description | P/N | Code | Description | P/N |
|------|--|------------|------|--|-------|
| 200 | Carryover Regulator Assembly (includes Codes 200A-G) | 100712 | 200G | (2) Carryover Regulator Fitting, 90° Brass Elbow | 18224 |
| 200A | Carryover Regulator, Maxitrol RV-12, Propane Gas | 11294 | 201A | Carryover Tubing, Natural Gas | 93389 |
| | Carryover Regulator, Natural Gas w/Opt AG 39, 40, 41, 42 | 11294 | 201B | Brass Elbow | 93388 |
| 200B | Carryover Regulator | 1/4x5-1/2" | 201C | Compression Fitting | 9664 |
| 200C | Tubing | 1/4x1-1/4" | 202 | (2) Burner Rack Isinglass | 10756 |
| 200D | Carryover Regulator Tag | 11935 | 203A | Air Shutter Adjustment Screw, 1/4-20 x 2-1/2" long | 10653 |
| 200E | Carryover Regulator Fitting (Compression Fitting) | 9664 | 203B | (2) Air Shutter Screw Nut, 1/4" -20 | 10650 |
| 200F | Carryover Regulator Fitting, Regulator to Manifold | 1436 | 203C | Air Shutter Slide Tinnerman Nut, 1/4"-20 (not illustrated) | 10651 |
| | | | 203D | Air Shutter Adjustment Instruction Tag | 11934 |

Special Manifolds

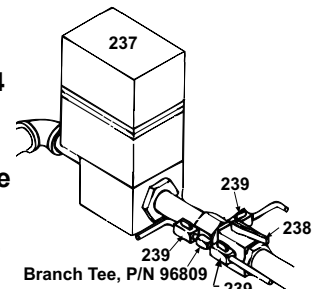
| Code | Description | P/N |
|---|--|-------------|
| Components for Illinois School Code Manifold (Option BM12 is no longer required but was available on all sizes of RG, RP, RGB, RPBL, RGB, RPBL, and PGBL) | | |
| 205 | Low Gas Pressure Switch, see page 9, Code 8 or 9 | |
| 206 | High Gas Pressure Switch, see page 9, Code 10 | |
| 207 | Vent Limiter, Maxitrol A1209, see page 9 | |
| 208 | Pressure Switch Brackets | (3-7)100261 |
| 209 | Manual Gas Valve (one per unit), page 17 | |
| 210 | Manual Pilot Shutoff (one per unit), page 17 | |
| 211 | Safety Solenoid Valve (one per unit) | 88242 |
| 212 | Pilot Valve (one per unit) | 25787 |
| 213 | Pilot Valve Bracket | 100262 |
| 214 | Relay SPDT - Order Replacement Kit, P/N 263527 | |
| 215 | Relay SPST - Order Replacement Kit, P/N 263527 | |
| 216 | Pilot Regulator, Maxitrol 400S | 86965 |
| 217 | Switch Push Button (Alarm Silencing) | 110130 |
| 218 | Alarm Bell (Adaptable Edwards #340-465, 24V) | 110131 |



Codes 219-236 - IRI, Option BM13 (applies to Model RPBL 1050 and 1200 and Model PGBL 1200) - Not manufactured after 9/2003.



Codes 237-249 - FM, Option BM14 is no longer required but was available on Model Series RPBL and PGBL)



| Code | Description | P/N |
|---|--|--------|
| Components for FM Manifold (Option BM14 is available on Model RPBL and (C)RGLB 500-1200, and PGBL 1200) | | |
| 237 | Fluid Power Valve | 89356 |
| | Fluid Power Valve Actuator | 86993 |
| 238 | Manual Shutoff and Ball Valve Adapter, page 17 | |
| 239 | Pilot Manual Shutoff (one per unit), page 17 | |
| 240 | Pilot Valve (one per furnace) | 25787 |
| 241 | Pilot Valve Bracket | 100262 |
| 242 | Pilot Regulator | 86965 |
| 243 | Transformer 230/460/575 to 115V, 300VA | 105202 |
| | Transformer 208 to 115V, 250VA | 86991 |
| 244 | Valve Box Top | 110211 |
| 245 | Valve Box Inlet Side | 110195 |
| 246 | Valve Box Plain Side | 110196 |
| 247 | Valve Box Back | 110212 |
| 248 | Top Door | 110213 |
| 249 | Bottom Door | 110214 |

| Code | Description | P/N | Code | Description | P/N |
|--|--|-----------|------|--|----------|
| Components for IRI Manifold (Option BM13 is available on Model PGBL 1200 and RPBL 1050 and 1200) - not mfgd after 9/2003 | | | | | |
| 219 | Fluid Power Valve | (2)89356 | 229 | Transformer 230/460 to 115V, .5KVA | 86997 |
| | Fluid Power Valve Actuator | (2)86993 | | Transformer 208 to 115V, .5KVA | 86998 |
| 220 | Low Gas Pressure Switch, pg 9, Code 8 or 9 | | | Transformer 208 to 115V, 250VA | 86991 |
| 221 | High Gas Pressure Switch, pg 9, Code 10 | | | Transformer 230/460/575 to 115V, 300VA | 105202 |
| 222 | Vent Limiter, Maxitrol A1209, pg 9 (2)123481 | | 230 | Pilot Regulator | (3)86965 |
| 223 | Vent Solenoid Valve | 86996 | 231 | Valve Box Top | 110194 |
| 224 | Pilot Valve (one per unit) | 25787 | 232 | Valve Box Inlet Side | 110195 |
| 225 | Manual Shutoff & Ball Valve Adapter, pg 17 | | 233 | Valve Box Plain Side | 110196 |
| 226 | Pilot Manual Shutoff (1 per unit), page 17 | | 234 | Valve Box Back | 110197 |
| 227 | RBM Relay - Order Replacement Kit, P/N 263527. | | 235 | Top Door | 110198 |
| 228 | Pilot Valve Bracket | (2)100262 | 236 | Bottom Door | 110199 |

Code 223 - Vent Valve, G/C #S262, P/N 86996



Codes 211, 212, 224, 240 - Solenoid Valve



1/4", P/N 25787
3/4", P/N 88242
1", P/N 112922

Codes 219 and 237



Valve only (used with actuator on the right)

| Size | Gas | Reznor | M/H |
|--------|--------|--------|------------|
| 1" | N or P | 86992 | V5055A1004 |
| 1-1/4" | N or P | 89356 | V5055A1012 |
| 2" | N or P | 91079 | V5055A1038 |

P/N 86993 Actuator (M/H V4055A1007)



Code 216, 247 - Pilot Regulator, Maxitrol R400S, P/N 86965



Springs for R400S Pilot Regulator

| Maxitrol # | Color | Pressure Range | Approx Length. |
|------------|---------------|------------------|----------------|
| R400B10-13 | Brown | 1.0 to 3.5" w.c. | 1-9/16 to 2" |
| R400B10-25 | Cadmium Plate | 2.0 to 5.0" w.c. | 1-9/16 to 2" |
| R400B10-36 | Cadmium Plate | 3.0 to 6.0" w.c. | 1-9/16 to 2" |
| R400B10-38 | Pink | 3.0 to 8.0" w.c. | 1-9/16 to 2" |

Code 213, 229, 241 - Pilot Valve Bracket in Options BM12, BM13, BM14

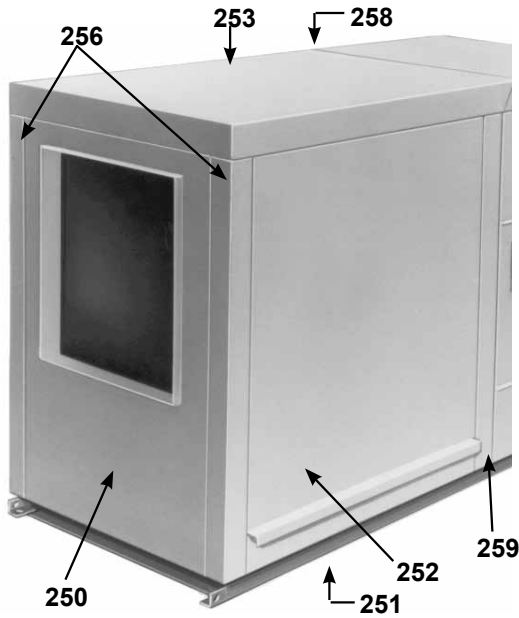
P/N 100262



Illinois School Code Remote Console with Alarm Bell and Silencing Buttons
Console Box, P/N 107010
Light, P/N 101889



Cabinet Parts for "B" Type Blower Cabinet Section - Applies to Model Series RGB and RPB
(For Blower Cabinet Models RBA and RBHA, see pages 43-44.)



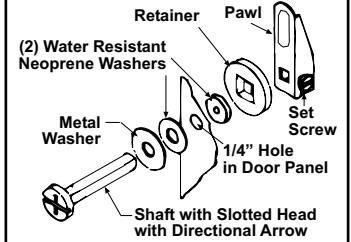
Cross-Reference of End and Bottom Panel Options to Cabinet Openings

| Cabinet Option | End Panel | | | Btm Panel | |
|----------------|-----------|-------|-----------|-----------|-----------|
| | 30% Open | Solid | 100% Open | Solid | 100% Open |
| Std | | | X | X | |
| AR-4 | | X | | | X |
| AR-6 | X | | | | X |
| AR-7 | X | | | | X |
| AR-8 | | | X | X | |
| AR-9 | | | X | X | |
| AR-11 | | | X | | X |
| AR-12 | | | X | | X |
| AR-13 | | | X | | X |
| AR-14 | | | X | | X |
| AR-15 | | | X | | X |
| AR-16 | | | X | | X |
| AR-17 | | | X | | X |
| AR-18 | | | X | | X |
| AR-23 | | | X | | X |
| AR-24 | | | X | | X |
| D1 | | | X | | X |
| D2 | | | X | X | |
| D3 | | | X | | X |
| D4 | | | X | X | |

Replacement Door Latch Kit, P/N 112974

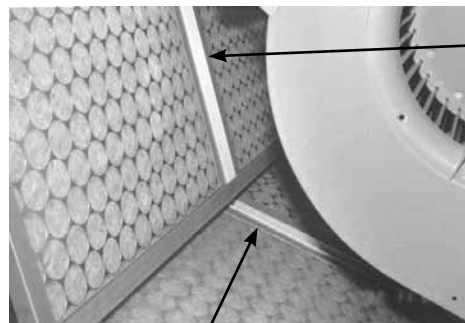


Assembly sequence for installing replacement door latch.



| Code | Model (C)(H)RGB/RPB Sizes | 75/100/125 | 150/175 | 200/225 | 250/300 | 350 | 400 |
|------|--|------------|---------|---------|---------|--------|------------|
| 250 | End Panel Assembly - solid (no opening) | 103617 | 103618 | 103619 | 103620 | 103621 | 103622 |
| | End Panel Assy - solid (no opening) w/double-wall construction (Opt AY3) | 105547 | 105548 | 105549 | 105550 | 105551 | 105552 |
| | End Panel Assembly - 30% opening | 105111 | 105112 | 105113 | 105114 | 105115 | 105116 |
| | End Panel Assy - 30% opening w/double-wall construction (Opt AY3) | 105553 | 105554 | 105555 | 105556 | 105557 | 105558 |
| | End Panel Assembly - 100% opening | 103638 | 103639 | 103640 | 103641 | 103642 | 103643 |
| | End Panel Assy - 100% opening w/double-wall construction (Opt AY3) | 105541 | 105542 | 105543 | 105544 | 105545 | 105546 |
| 251 | Bottom Panel Assembly - solid (no opening) | 103752 | 103753 | 103754 | 103755 | 103756 | 103757 |
| | Bottom Panel Insulation Retainer - solid (no opening) | 110963 | 110964 | 110965 | 110966 | 110967 | 110968 |
| | Bottom Panel Assembly - 100% opening | 103562 | 103563 | 103564 | 103565 | 103566 | 103567 |
| | Bottom Panel Insulation Retainer - 100% opening | 110970 | 110971 | 110972 | 110973 | 110974 | 110975 |
| 252 | Blower Door - standard | (2) 100347 | | | | | |
| | Blower Door - w/double-wall construction (Opt AY3) | (2) 104115 | | | | | |
| 253 | Blower Cabinet Top Assembly | 103598 | 103599 | 103600 | 103601 | 103602 | 103603 |
| 254 | Blower Cabinet Top Insulation Retainer | 100246 | 100247 | 100248 | 100249 | 100250 | 100251 |
| 255 | Corner Post | (2) 114761 | | | | | |
| 256 | Corner Post Cap | (2) 100072 | | | | | |
| 257 | Cabinet Leg | (2) 100027 | | | | | |
| 258 | Cabinet Leg Cap Right | 100069 | | | | | |
| 259 | Cabinet Leg Cap Left | 100071 | | | | | |
| 260 | Filter Rack Middle Assembly | 104058 | 104059 | 104060 | 104061 | 104062 | 104063 |
| 261 | Filter Rack Bottom Assembly | 104072 | 104073 | 104074 | 104075 | 104076 | 104077 |
| 262 | End Panel and Filter Support Assembly | 104079 | 104080 | 104081 | 104082 | 104083 | 104084 |
| 265 | Blower Top Door Seal Angle | (2) 111023 | | | | | (2) 111024 |
| 266 | Top End Panel Seal Angle | 110977 | 110978 | 110979 | 110980 | 110981 | 110982 |

Filter Rack and Blockoff Plates

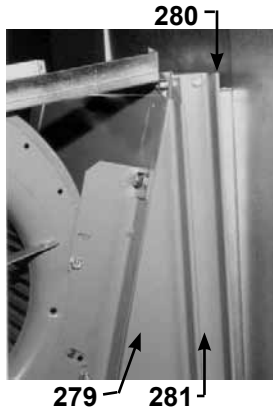


For Replacement P/N's for Blockoff Plates and Filters, see pages 37-38.

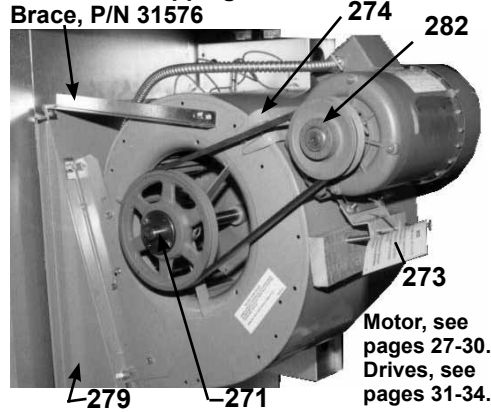
Cabinet Parts for "B" Type Blower Cabinet Section - Applies to Models RGB & RPB (cont'd)

| Code | Model (C)(H)RGB/RPB Sizes | 75/100 | 125 | 150/175 | 200/225 | 250/300 | 350 | 400 |
|------|--|--------------------|--------|--------------------|-----------|---------------------|---------------------|--------|
| 270A | Blower - Housing, Shaft, Wheel & Bearings | 1357, Lau A10-10AC | | 1360, Lau A12-12AC | | -- | -- | -- |
| 270B | Blower - Right Hand Housing & Wheel only | -- | -- | -- | -- | 24229, Lau 2A10-10A | 24231, Lau 2A12-12A | |
| 270C | Blower - Left Hand Housing & Wheel only | -- | -- | -- | -- | 24230, Lau 2A10-10A | 24232, Lau 2A12-12A | |
| 271 | Blower Shaft | 11302, 3/4 x 22 | | 11303, 1 x 22 | | 10120, 1 x 39-1/4 | 10121, 1 x 44-5/8 | |
| 272 | Blower Shaft Bearings | (2) 7310 | | | | (2) 10437 | | |
| 273 | Mtr Adjustment Brckt Assy - 1/4-3/4 HP Mtrs | | | | 44411 | | | |
| 273A | Hardware Bag only for Code 273 | | | | 64940 | | | |
| 274 | Motor Mounting Strap - for 1/4 - 3/4 HP Mtrs | 44409 - 10" | | 102533 - 12" | | 44409 - 10" | 102533 - 12" | |
| 275 | Motor Mounting Plate - 1-3HP Motor | 12578 | | 12579 | | 12578 | 12579 | |
| | Motor Mounting Plate - 5HP Motor | -- | -- | | | 12578 | | |
| 276 | Motor Left Support - 1-5 HP Motor | | | | 12576 | | | |
| 277 | Motor Right Support - 1-5 HP Motor | | | | 12577 | | | |
| 278 | Rod Bolt for Mtr Mntng - 1-5 HP Motor | | | | (2) 12489 | | | |
| 279 | Adapter Back for Blower | 193986 | 194054 | 194093 | | 193988 | 194063 | 194064 |
| 280 | Blower Adapter Top and Bottom | (2) 53277 | -- | -- | -- | -- | -- | -- |
| 281 | Blower Adapter Sides | (2) 53278 | -- | -- | -- | -- | -- | -- |
| 282 | Blower Key | | | | 19361 | | | |

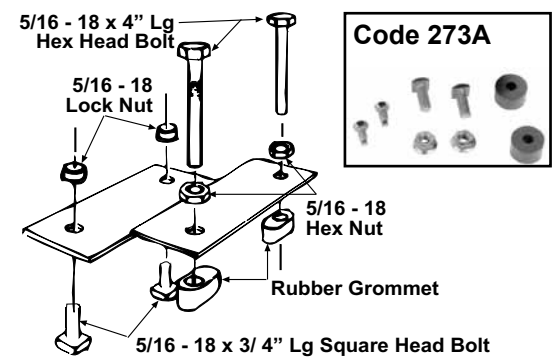
Blower Adapter - Sizes 75-100



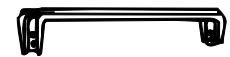
Blower with a 1/4 - 3/4 HP Motor Horizontal Shipping Brace, P/N 31576



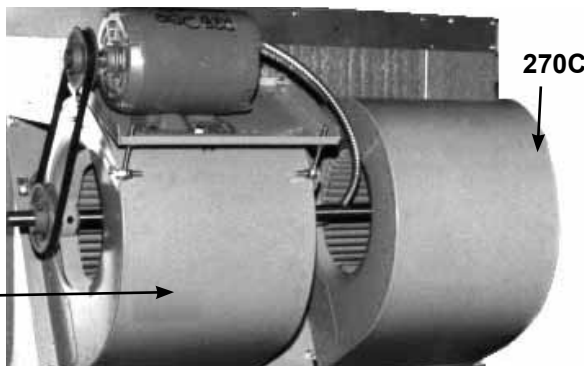
273 - Motor Adjustment Bracket and Hardware for 1/4 - 3/4 HP Motor



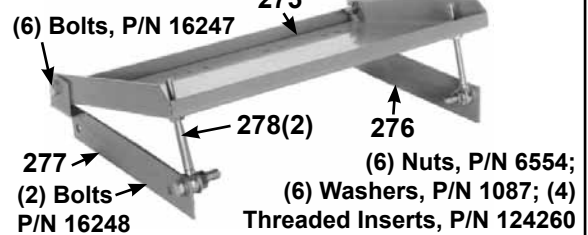
274 - Mounting Bracket for 1/4 - 3/4 HP Motor



Left and Right Blowers (Sizes 250-400) with a 1-5 HP Motor



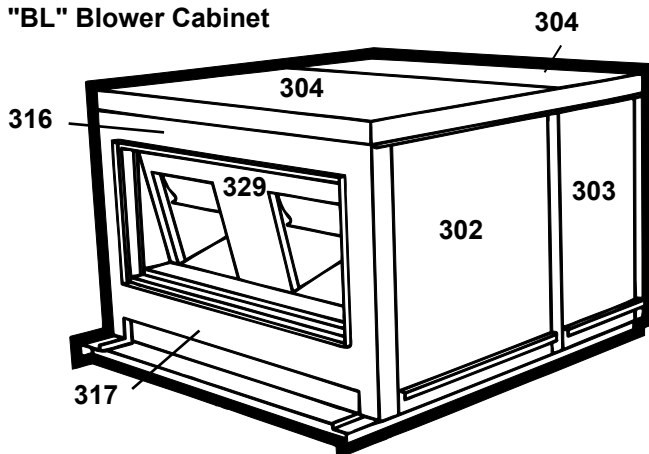
Motor Mounting Plate & Hardware for 1-5 HP Motor



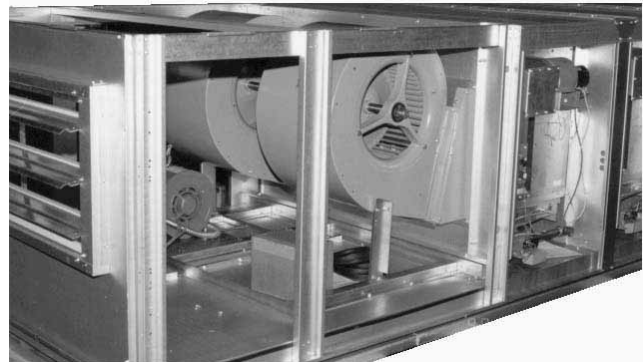
Cabinet Parts for "BL" Type Blower Cabinet Section - Applies to RGBL, RPBL & PGBL

(For Model RBL cabinet parts, see pages 43-44.)

"BL" Blower Cabinet



View of a "BL" Type Blower Cabinet with the Access Panels Removed (with less than 5HP motor)



For replacement filters and blockoff plates, see pages 37 and 38

| Code | Model RPBL, RGLB, PGBL Sizes | 500/600 | 700/1050 | 400/800/1200 | |
|------|--|---|------------|--------------|------------|
| 300 | Cabinet Bottom - Right Half - solid (no opening) | 106242 | | 106244 | |
| | Cabinet Bottom - Left Half - solid (no opening) | 106238 | 106239 | 106240 | |
| | Cabinet Bottom - Right Half - return air opening | 105606 | 105607 | 105608 | |
| | Cabinet Bottom - Left Half - return air opening | 104365 | 104366 | 104367 | |
| 301 | End Panel Assembly - solid (no opening) | 103620 | 103621 | 103622 | |
| | End Pnl Assy - solid (no opening) w/double-wall cnstrctn (Opt AY3) | 105550 | 105551 | 105552 | |
| | End Panel Assembly - 30% opening | 105114 | 105115 | 105116 | |
| | End Pnl Assy - 30% opening w/double-wall construction (Opt AY3) | 105556 | 105557 | 105558 | |
| | End Panel Assembly - 100% opening | 103641 | 103642 | 103643 | |
| | Filter Cabinet Assembly - w/double-wall construction (Opt AY3) | 105544 | 105545 | 105546 | |
| 302 | Blower Door - standard | (2) 100347 | | | |
| | Blower Door - w/double-wall construction (Opt AY3) | (2) 104115 | | | |
| 303 | Filter Cabinet Door Assembly | (2) 106276 | | | |
| | Filter Cabinet Assembly - w/double-wall construction (Opt AY3) | (2) 107350 | | | |
| 304 | Blower Cabinet Front Top Section Assembly | 106280 | 106281 | 106282 | |
| | Blower Cabinet Rear Top Section Assembly | 106286 | 106287 | 106288 | |
| 305 | Blower Cabinet Top Insulation Retainer | 107350 | 107351 | 107352 | |
| 306 | Filter Cabinet Top Insulation Retainer | 107354 | 107355 | 107356 | |
| 307 | BL Cabinet Leg #1, Left | 105603 | | | |
| 308 | BL Cabinet Leg #2, Right | 105604 | | | |
| 309 | Corner Post | (2) 114761 | | | |
| 310 | Cabinet Leg Cap Left | 100069 | | | |
| 311 | Cabinet Leg Cap Right | 100071 | | | |
| 312 | Cabinet Intermediate Post | (2) 114762 | | | |
| 313 | Cabinet Intermediate Post Cap | (2) 104372 | | | |
| 314 | Corner Post Cap | (2) 100072 | | | |
| 315 | Cabinet Top Front Panel | 105610 | 105611 | 105612 | |
| 316 | Cabinet Bottom Front Panel | 105614 | 105615 | 105616 | |
| 317 | Cabinet Vertical Blower Support Left | 106299 | | | |
| 318 | Cabinet Vertical Blower Support Right | 106943 | | | |
| 319 | Cabinet Horizontal Blower Support | (2) 31576 | | | |
| 320 | Cabinet and Panel Support | 100078 | 100079 | 100080 | |
| 321 | Cabinet Top Support | 105600 | 105601 | 105602 | |
| 322 | Cabinet Bottom Filter Rack Assembly * | Mfgd beginning 9/91 - for 1" fltrs | 114711 | 114712 | 114713 |
| | | Mfgd beginning 9/91 - for 2" fltrs | 114715 | 114716 | 114717 |
| 323 | Cabinet Rear Filter Rack Assembly * | Mfgd beginning 9/91 - for 1" fltrs | (2) 114707 | (2) 114708 | (2) 114709 |
| | | Mfgd beginning 9/91 - for 2" fltrs | (2) 114703 | (2) 114704 | (2) 114705 |
| 324 | Cabinet Front Filter Rack Assembly * | Mfgd beginning 9/91 - for 1" fltrs | (2) 114695 | (2) 114696 | (2) 114697 |
| | | Mfgd beginning 9/91 - for 2" fltrs | (2) 114691 | (2) 114692 | (2) 114693 |
| 325 | Cabinet Top Filter Rack Assembly * | Mfgd beginning 9/91 - for 1" fltrs | 114719 | 114720 | 114721 |
| | | Mfgd beginning 9/91 - for 2" fltrs | 114723 | 114724 | 114725 |
| 328 | Top Door Seal | (2) 95487 | (2) 95487 | (2) 95487 | |
| 329 | BL Blower Cabinet Adapter Back Assy | RGLB, RPBL, RBL | 163833 | 163834 | 106294 |
| | | PGBL | -- | -- | 148429 |
| 330 | BL Cabinet Motor Mounting Plate Assembly | 106295 | | | |
| 331 | BL Cab Mtr Mounting Support Assy | < 15HP motor | (2) 106698 | | |
| | | 15 & 20 HP & all units w/Opt PC12 vibration isolation | 149008 | | |
| 332 | BL Cab Mtr Adjustment Angle | < 15HP motor | 105633 | | |
| | | 15 & 20 HP & all units w/Opt PC12 vibration isolation | 149010 | | |
| 333 | Motor Adjustment Bolt 3/8 - 16 x 7" lq | 106275 | | | |
| 334 | Adjustment Bolt Hex Nut 3/8 - 16 | 1438 | | | |
| 335 | BL Cabinet Blower (Housing & Wheel) Lau 15 x 9, 1-3/16 | (2) 106296 | -- | -- | |
| 336 | BL Cabinet Blower (Housing & Wheel) Lau 15 x 11, 1-3/16 | -- | (2) 14469 | | |
| | Blower Shaft 1-3/16 x 37" long | 106297 | -- | -- | |
| | Blower Shaft 1-3/16 x 42-1/2" long | -- | 106298 | -- | |
| 337 | Blower Shaft 1-3/16 x 48" long | -- | -- | 13589 | |
| | Blower Bearing FAFAIR 1-3/16" #E8317 | (2) 14474 | | | |
| | Vertical Blower Support - Right | < 15HP motor | 106943 | | |
| 339 | Vertical Blower Support - Right | 15 & 20 HP & all units w/Opt PC12 vibration isolation | 149520 | | |
| | | < 15HP motor | 106299 | | |
| 340 | Vertical Blower Support - Left | 15 & 20 HP & all units w/Opt PC12 vibration isolation | 149521 | | |
| | | < 15HP motor | 106299 | | |
| 341 | Bearing Bracket, 1-3/16, Lau #014431-02 | (2) 24233 | | | |
| 342 | Heavy Duty Blower Right Lau 15 x 9 (15-20HP motors) | 106935 | -- | -- | |
| 343 | Heavy Duty Blower Left Lau 15 x 9 (15-20HP motors) | 106936 | -- | -- | |
| 344 | Heavy Duty Blower Right Lau 15 x 11 (15-20HP motors) | -- | 106937 | | |
| 345 | Heavy Duty Blower Left Lau 15 x 11 (15-20HP motors) | -- | 106938 | | |
| 346 | Blower Shaft Key (used with heavy duty blowers) | (4) 134638 | | | |
| | Blower Shaft Heavy Duty Blower 1-7/16 x 42" long | 106939 | -- | -- | |
| | Blower Shaft Heavy Duty Blower 1-7/16 x 47-1/2" long | -- | 106940 | -- | |
| | Blower Shaft Heavy Duty Blower 1-7/16 x 53" long | -- | -- | 106941 | |
| 348 | Pillow Block Bearing, 1-7/16 Bore, Dodge P2BS2107R | (2) 170108 (replaces P/N 106942) | | | |
| 349 | Class II Blower Support - Right Side | 149520 | | | |
| 350 | Class II Blower Support - Left Side | 149521 | | | |
| 351 | Air Flow Switch Pitot Sense Probe (part of Opt BW1) See page 22. | 111733 | | | |

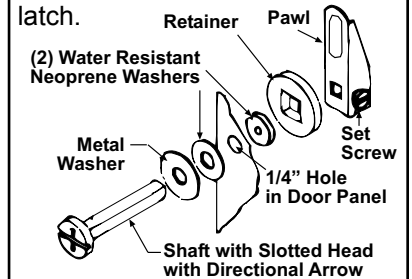
Cross-Reference of End and Bottom Panel Options to Cabinet Openings

| Cabinet Option | End Panel | | Btm Panel | |
|----------------|-----------|-------|-----------|------------|
| | 30% Open | Solid | 100% Open | 100% Solid |
| Std | | | X | X |
| AR-4 | | X | | X |
| AR-6 | X | | | X |
| AR-7 | X | | | X |
| AR-8 | | | X | X |
| AR-9 | | | X | X |
| AR-11 | | | X | X |
| AR-12 | | | X | X |
| AR-13 | | | X | X |
| AR-14 | | | X | X |
| AR-15 | | | X | X |
| AR-16 | | | X | X |
| AR-17 | | | X | X |
| AR-18 | | | X | X |
| AR-23 | | | X | X |
| AR-24 | | | X | X |
| D1 | | | X | X |
| D2 | | | X | X |
| D3 | | | X | X |
| D4 | | | X | X |

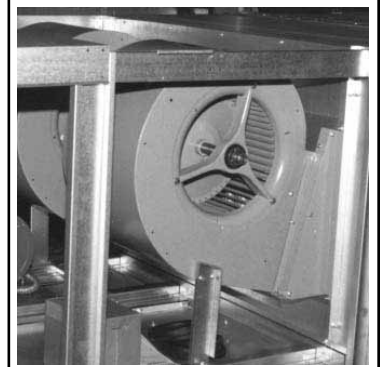
Replacement Door Latch Kit, P/N 112974



Assembly sequence for installing replacement door latch.

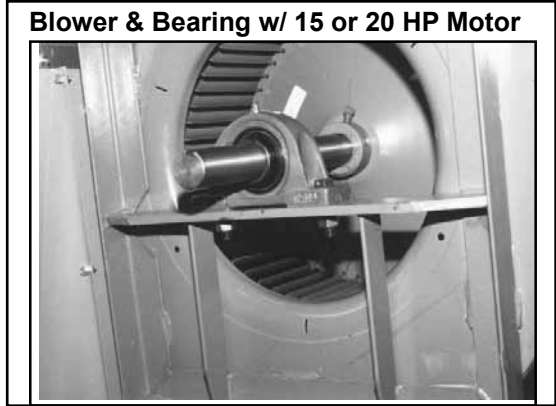
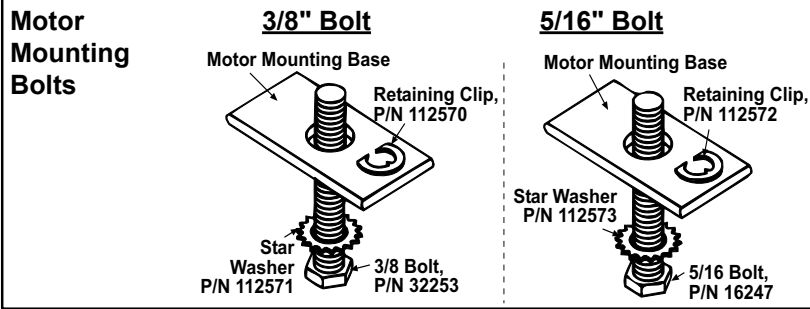


Blower, Bearing Support, and Motor - up to a 5 HP Motor



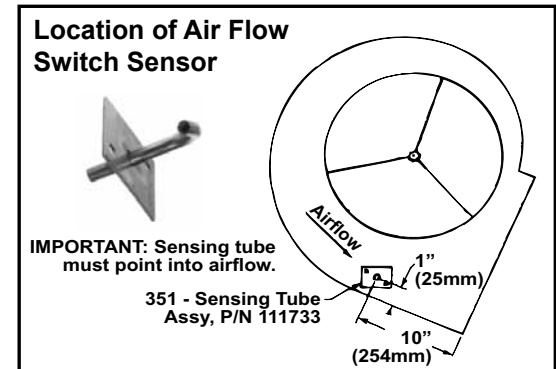
* Filter rack parts and filter clamps used on these "BL" cabinet Models manufactured prior to 9/91 are no longer available.

Cabinet Parts for "BL" Type Blower Cabinet Section
 - Applies to RGBL, RPBL & PGBL (cont'd)



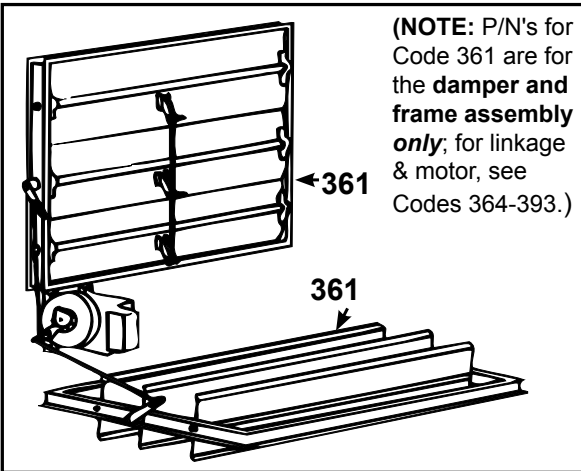
Blower Triangular Bearing Mounting for RGBL/RPBL/PGBL with a 7-1/2 or 10 HP Motor

| Description | P/N |
|-----------------------------|------------|
| Left Bearing support Assy | 112971 |
| Right Bearing Support Assy | 112972 |
| Pillowblock Bearing 1-3/16" | (2) 112973 |
| 90° Grease Fitting | (2) 195834 |
| 1/2-13 x 2" Cap Screw GR-8 | (4) 111304 |
| 1/2-13 Nut GR-8 | (4) 111305 |
| 1/2 Lockwasher | (4) 111306 |
| 1/4-20 Cap Screws | (6) 16246 |
| 1/4-20 Lock Nut | (6) 10650 |



Dampers and Controls - Applies to all Packaged Systems and Blower Cabinets

| Code | Model RPBL, RGBL, PGBL Sizes | | Model RBA | 500, 600 | 700, 1050 | 400, 800, 1200, RBL |
|------|---|--------------------------|--------------|----------|-----------|---------------------|
| | | Model (C)(H)RGB/RPB Size | 75, 100, 125 | 150, 175 | 200, 225 | 250, 300 |
| 360 | Damper and Frame Assembly only for 30% Outside Air Dampers (see illustration of 30% damper below) | 120552 | 120553 | 120554 | 120555 | 120556, 120557 |
| 361 | Damper and Frame Assembly only for 100% Outside Air or Return Air Dampers | 105421 | 105422 | 105423 | 105424 | 105425, 105426 |



Code 364 - Two-Position Damper Motors - Replacement depends on model of unit, date of manufacture, and/or damper motor model.



P/N 209351, either J/C M9206-BGB-2S (prior to 1/2012) or J/C M9208-BGC-3 (beginning 1/2012). If replacing this motor labeled M9206-BGB-2S order Kit P/N 209423.

If replacing obsolete damper motor P/N 66276, WR3405-21, or 97385, WR3402-9, order Kit P/N 209423.



Damper Motor for 2-Position Damper (open/closed), MS8105A1130/U, P/N 263939

This damper motor is used on Models RPBL and RBL beginning 4/2012. If replacing any other damper motor on a "BL" Model, order Replacement Kit, P/N 209423.

360 - 30% Damper

Code 362 - Hand Quadrant, P/N 103502, (on a 30% Outside Air Damper) & Code 363 - Manual Damper Control Bracket, P/N 175248



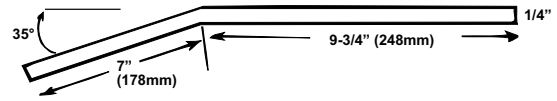
Code 366 - Modulating Damper Motor, M/H M9185A1026 less end switches, P/N 115681 (replaces P/N 53928) Code 367 (illustrated)

- Modulating Damper Motor with two end switches, P/N 115682

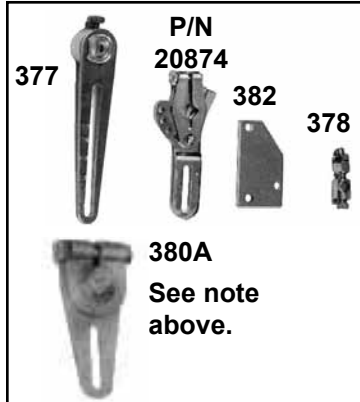


Code 368 - Modulating Damper Motor used in Option AR23, M/H #M6294B1011, P/N 115683, (with pressure null switch)

Code 373 - Bent Damper Rod, P/N 105420



NOTES: Crank Arm Code 380A is used with motors P/N 115682, 115683, & 115681 (motors used in currently manufactured units). Use Crank Arm P/N 20874 (illustrated), M/H #7616BR, with obsolete motors P/N 53928, 87059, and 96767.



P/N 20874

380A
See note above.

Code 387 - Potentiometer, M/H 112894FA, P/N 16110

Code 388 - Mixed Air Controller, M/H T991-1004, P/N 16109

Grommet Clamp, P/N 39224

Code 389 - Outside Air Controller, J/C# A19AAF-120, P/N 126170 (replaces P/N 16108)

Code 390 - Pressure Null Switch, Dwyer #1640-0, Range .01" to .2" w.c., P/N 88052

Code 391 - Auxiliary End Switch, P/N 113963, M/H Q607B1067

Code 393 - DDC (4-20 ma) interface module for modulating damper motor, P/N 171134, M/H Q7230A

| Code | Description | P/N | Components by Option AR__ for "BL" Blower Cabinets (refer to wiring diagram for applicable motorized AR Option) | | | | | | | | | | | | | | |
|--|--|--------|--|------|------|------|------|------|------|------|------|------|------|------|------|------|------|
| | | | 6 | 7 | 8 | 9* | 11* | 12* | 13* | 14* | 15 | 16* | 17 | 18 | 23* | 25 | |
| 362 | Hand Quadrant #14004728-001 | 103502 | X | | | | | X | | | | | | | | | |
| 363 | Manual Damper Control Bracket (replaces P/N 103488) | 143182 | X | | | | | X | | | | | | | | | |
| 364 | 2-Position Actuator, J/C M9208-BGC-3 (use of this model effective 01/2012 on Model RPB) | 209351 | | X | X | | | | | | X | | | X | | | |
| | 2-Position Actuator, M/H MS8105A1130/U (effective 04/2012 on Models RPBL and RBL) | 263939 | | X | X | | | | | | | | | X | | | |
| Replacement Kit for other 2-position damper actuator models including P/N 66276, 97385, and 209351 labeled J/C M9206-BGB-2) is Kit P/N 209423. | | | | | | | | | | | | | | | | | |
| 366 | Modulating Damper Motor, #M9175A1051 (no end switch) Motor Support, P/N 100315 | 115681 | | | | X | | X | X | | X | X | | X | | X | |
| 367 | Optional Modulating Damper Motor, #M9185A1026 (Replacement requires auxiliary switch kit, P/N 145881.) | 202091 | | | | X | | X | X | | X | X | | X | | X | |
| 368 | Floating Modulating Damper Motor, #M6194B1011 Motor Support, P/N 100315 | 115683 | | | | | | | | | | | | | | | X |
| 369 | Damper Rod, 1/4 x 12 inches long | 11561 | | | | | | | | X | | X | X | | X | X | |
| 370 | Damper Rod, 1/4 x 13 inches long | 112554 | | X | X | | | X | | X | | | | X | | | X |
| 371 | Damper Rod, 1/4 x 18 inches long | 11560 | | X | X | | | | | X | | | | X | | | |
| 372 | Damper Rod, 1/4 x 17 inches long | 112556 | | | | X | | X | X | | X | X | | X | X | X | X |
| 373 | Damper Rod, Bent (drawing, page 22) | 105420 | | | | | X | | | | | | | | | | |
| 374 | Damper Rod Arm | 66278 | | X | | | | | | | | | | | | | |
| 377 | Damper Arm, M/H #20265 | 12635 | | X | X(2) | X | X(2) | X(2) | X(2) | X(3) | X(2) | X(2) | X(3) | X(2) | X(2) | X(2) | X(2) |
| 378 | Ball and Socket, M/H #27518 | 12636 | | X(2) | X(2) | X(2) | X(4) | X(4) | X(4) | X(4) | X(4) | X(4) | X(4) | X(4) | X(4) | X(4) | X(4) |
| 380 | Crank Arm M/H #221455A | 116209 | | | | X | X | X | | X | X | | X | X | X | X | X |
| 382 | Damper Arm Support Plate | 14225 | | | | X | | | | | | | | | | | |
| 384 | Damper Arm Adjustment Plate | 115687 | | | | | X | X | X | X | X | X | X | X | X | X | |
| 385 | Damper Arm Adjustment Plate | 142982 | | | | | | | | | | | | | | | X |
| 386 | Air Controller Support Bracket | 103758 | | | | X | | X | X | X | | X | | X | | | |
| 387 | Potentiometer, M/H #112894FA | 16110 | | | | X | | X | X | | X | | | X | | | |
| 388 | Mixed Air Controller, M/H #T991A-1004 | 16109 | | | | | | X | X | | | | | X | | | |
| 389 | Outdoor Air Controller, J/C#A19AAF-120 | 126170 | | | | | | | | X | X | X | | | | | |
| 390 | Null Switch (pressure), Dwyer #1640 | 88052 | | | | | | | | | | | | | | | X |
| 391 | Auxiliary End Switch only for M/H Damper Motors, #Q607B1067, P/N 113963 | | | | | | | | | | | | | | | | |
| 392 | Auxiliary Switch Kit (2 switches), M/H 220736B, P/N 145881 | | | | | | | | | | | | | | | | |
| 393 | DDC (4-20ma) interface module for use with modulating damper motor, Honeywell Q7230A, P/N 171134 | | | | | | | | | | | | | | | | X |

*Option Code is no longer available.

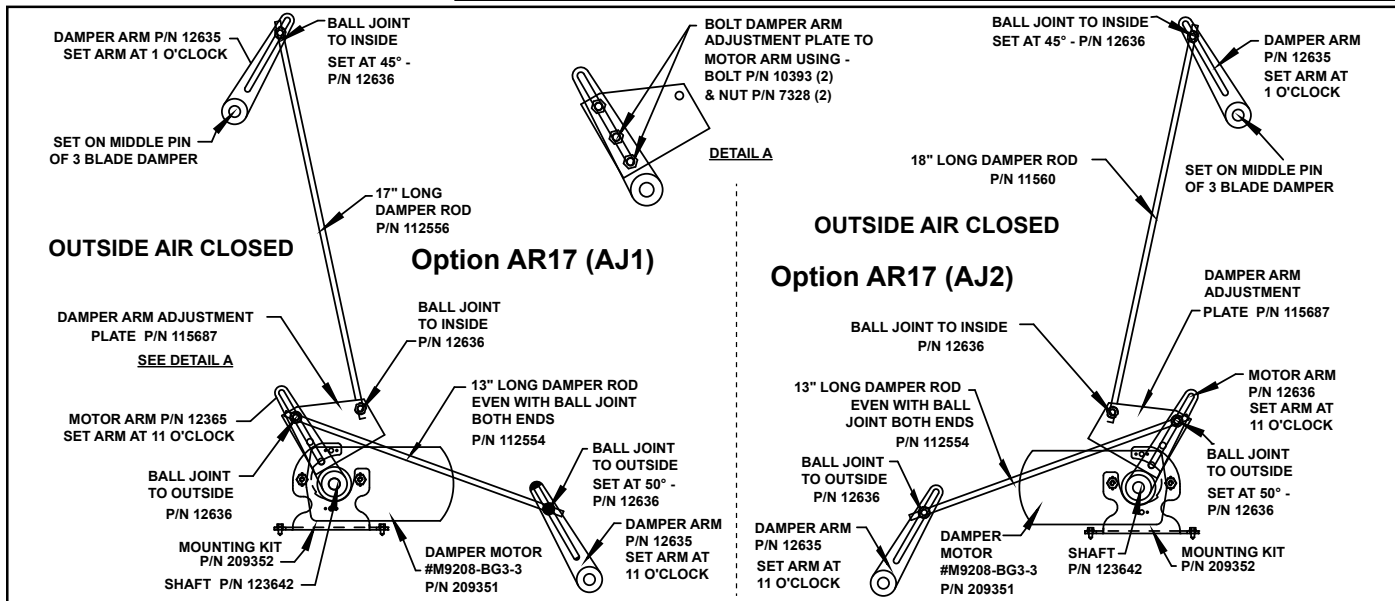
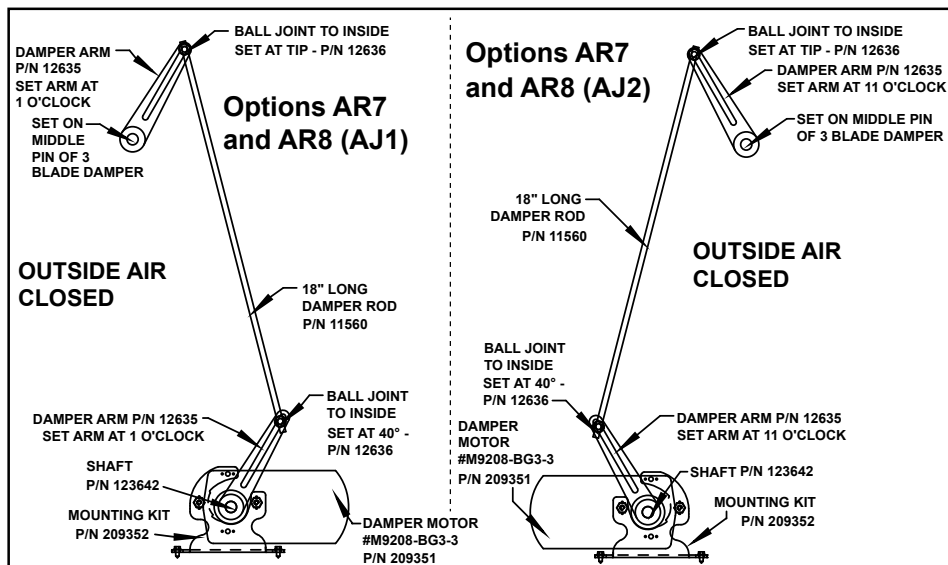
Dampers and Controls (cont'd)

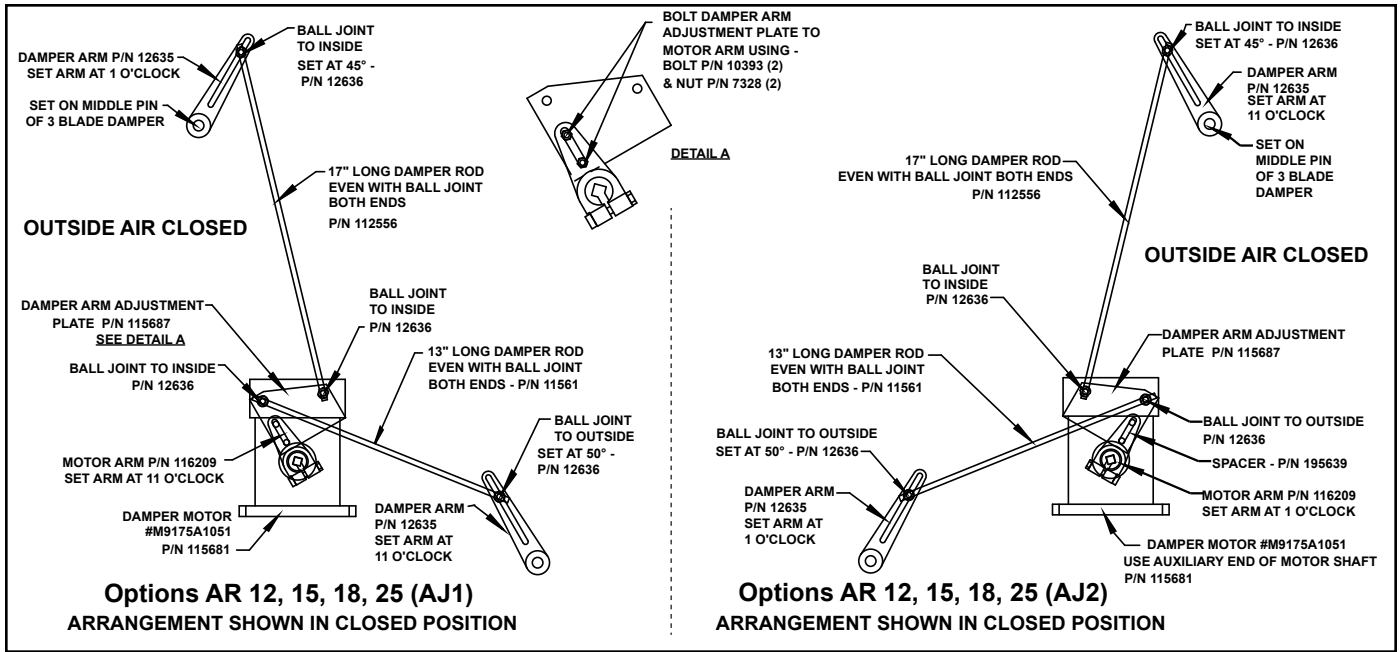
Components by Option AR__ for currently manufactured (2012) Model RPB units.
See linkage illustrations below. (For components of obsolete Option Codes, see "BL" chart, page 23.)
(Refer to wiring diagram for applicable motorized AR Option.)

| Code | Description | P/N | 6 | 7 | 8 | 12 | 15 | 17 | 18 | 25 |
|---|--|--------|---|------|------|------|------|-------|------|------|
| 362 | Hand Quadrant #14004728-001 | 103502 | X | | | | | | | |
| 363 | Manual Damper Control Bracket (replaces P/N 103488) | 143182 | X | | | | | | | |
| 364 | 2-Position Damper Motor, J/C M9208-BGC-3 (effective 01/2012) | 209351 | | X | X | | | X | | |
| | Mounting Kit, P/N 209352; Shaft, P/N 123642 | | | | | | | | | |
| Replacement Kit for other 2-position Damper Motors (P/N 66276, 97385, and 209351 labeled J/C M9206-BGB-2S) is Kit P/N 209423. | | | | | | | | | | |
| 366 | Modulating Damper Motor, #M9175A1051 (no end switch) | 115681 | | | | X | X | | X | X |
| 369 | Damper Rod, 1/4 x 13 inches long | 112554 | | | | | | X | | |
| | Damper Rod, 1/4 x 13 inches long | 11561 | | | | X | X | | X | X |
| 370 | Damper Rod, 1/4 x 18 inches long | 11560 | | X | X | | | X-AJ2 | | |
| 371 | Damper Rod, 1/4 x 17 inches long | 112556 | | | | X | X | X-AJ1 | X | X |
| 377 | Damper Arm, M/H #20265 | 12635 | | X | X | X(2) | X(2) | X(3) | X(2) | X(2) |
| 378 | Ball and Socket, M/H #27518 | 12636 | | X(2) | X(2) | X(4) | X(4) | X(4) | X(4) | X(4) |
| 380A | Crank Arm M/H #221455A | 116209 | | | | X | X | | X | X |
| 380B | Crank Arm Spacer | 195639 | | | | X | X | | X | X |
| 383 | Damper Motor Support Assembly | 100315 | | X | X | | | | | |
| 384 | Damper Arm Adjustment Plate | 115687 | | | | X | X | X | X | X |
| 386 | Air Controller Support Bracket | 103758 | | | | | | | X | |
| 387 | Potentiometer, M/H #112894FA | 16110 | | | | | X | | X | |
| 388 | Mixed Air Controller, M/H #T991A-1004 | 16109 | | | | X | X | | | |
| 389 | Outdoor Air Controller, J/C#A19AAF-120 | 126170 | | | | | X | | | |
| 391 | Auxiliary End Switch only for M/H Damper Motors, #Q607B1067, P/N 113963 | | | | | | | | | |
| 392 | Auxiliary Switch Kit (2 switches), M/H 220736B, P/N 145881 | | | | | | | | | |
| 393 | DDC (4-20ma) interface module for use with modulating damper motor, Honeywell Q7230A, P/N 171134 | | | | | | | | | X |

Model RPB Damper Linkage and Rigging by AR option (Refer to the wiring diagram to identify applicable motorized AR Option.) Option AJ1 is left side controls; Option AJ2 is right side controls.

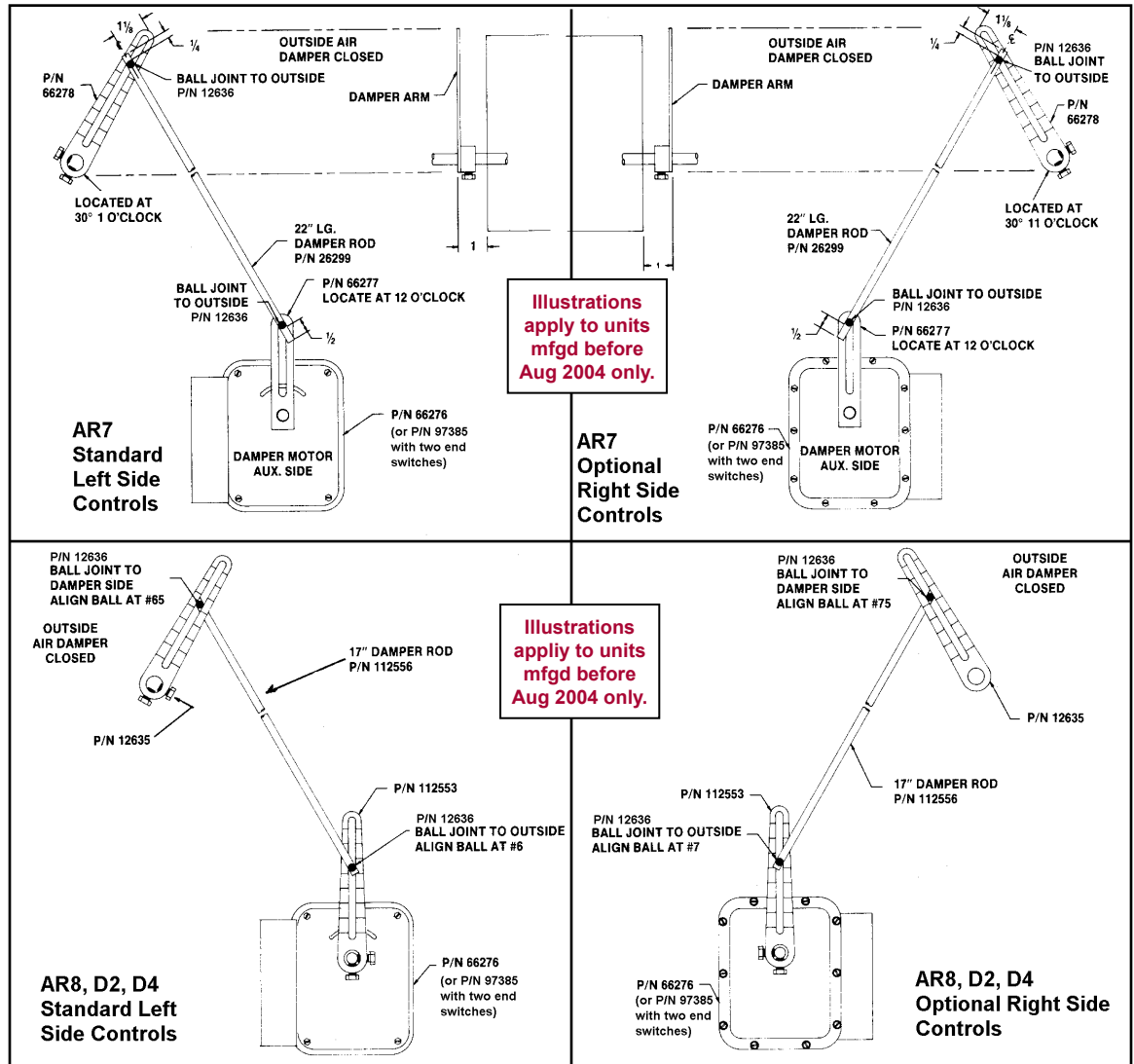
Illustrations here and top of page 25 are for Model RPB units manufactured beginning 4/2012.. See pages 25-26 for illustrations of some previously used (some prior to 2004 only) damper linkage arrangements. Illustrations of some arrangements are not available.



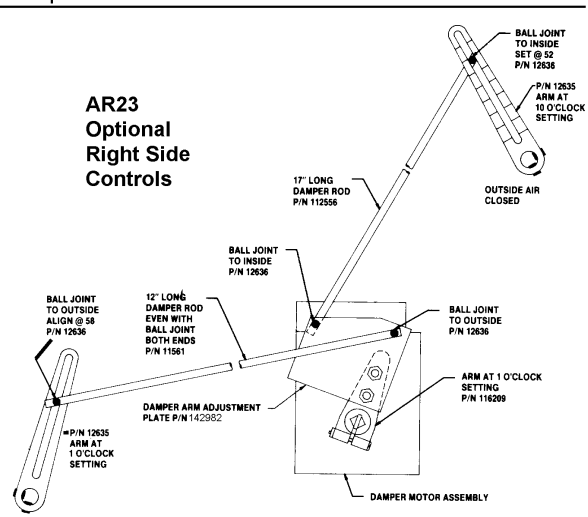
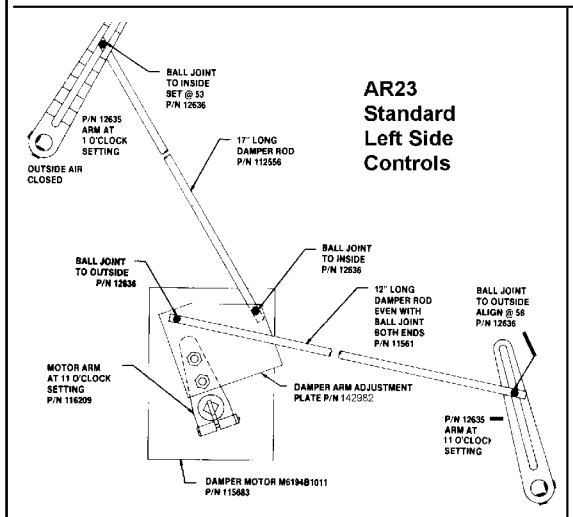
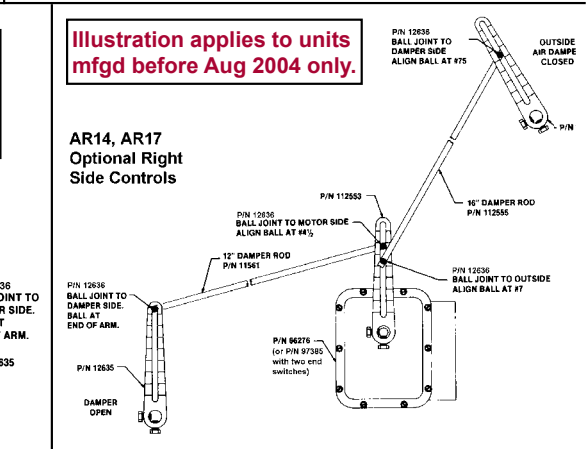
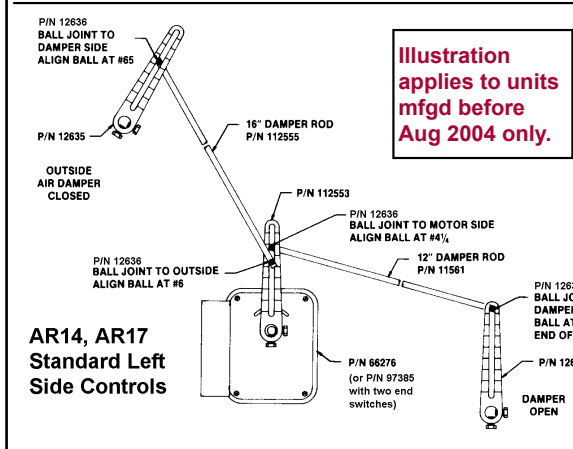
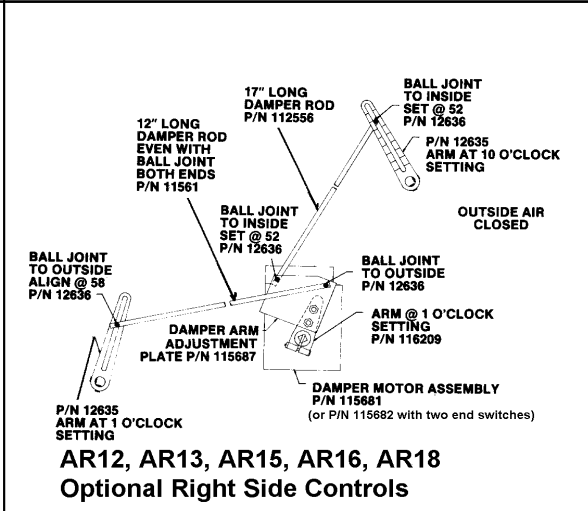
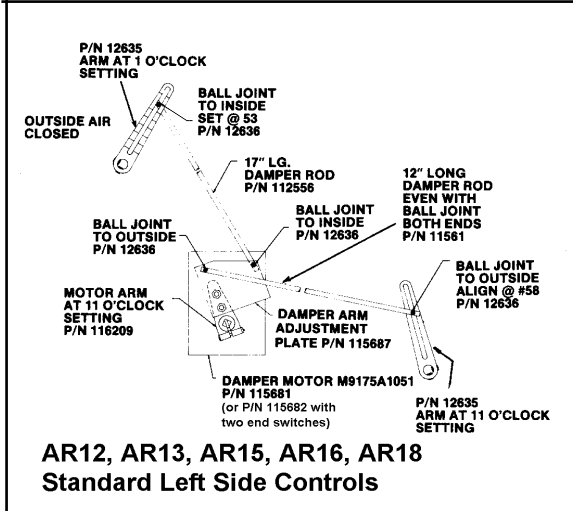
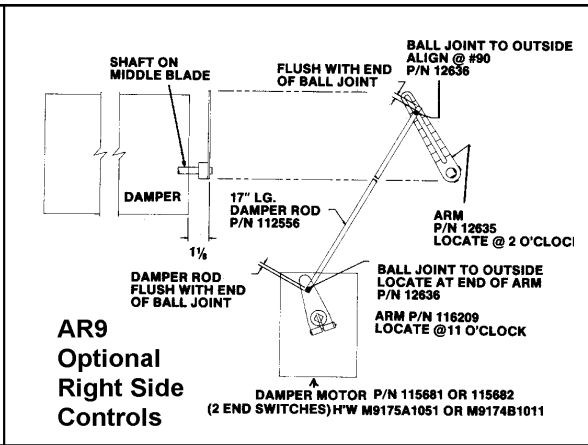
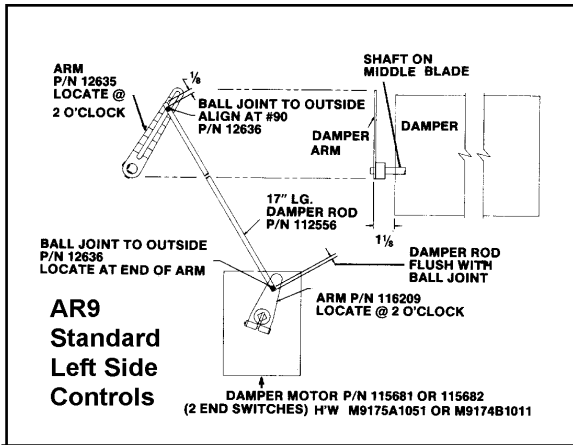


Other Damper Linkage Illustrations by AR Option Code

Refer to the wiring diagram for AR Code. Notice that some illustrations apply to units manufactured prior to 2004.



Damper Linkage by Option Code (cont'd) - for units mfgd before Aug 2004 where indicated



Replacement Blower Motors, Starters, and Variable Frequency Drives

Replacement Motors (Tables on pages 27-30)

Motors in the Open, TEFC, and Premium Efficiency tables that are **highlighted** in gray **do not** have internal overload protection and **must** be used with the motor starter and overload listed in the table. Refer to the wiring diagram for applicable AL and AN or VFD option codes.

See **Code 27**, page 9, for standard motor contactor (Option AN2), **P/N 216386**, for motors with internal overloads.

If equipped with an optional variable frequency drive, see P/N's on the right.

Replacement IEC Starters and Overloads (Listed by motor on pages 27-30.)

When ordering a replacement IEC starter (contactor) or overload, check the manufacturer's number on both parts. If the number is different than that listed, both components must be replaced. IEC Starter (contactor) and overload are mounted on rail, **P/N 111387**. Replacement holding coils are listed on page 30. If the motor has a NEMA starter, see replacement information on page 30.



Variable Frequency Drive (Option VFD) and Matching Line Reactor



| Mtr HP | VFD Drive & Matching Line Reactor | 208/1/60 230/1/60 | | | 208/3/60 230/3/60 | | | 480/3/60 | | | 575/3/60 | | |
|--------|-----------------------------------|----------------------|--------|------|----------------------|------|------|----------|------|------|----------|---------------|------|
| | | ODP | TEFC | Prem | ODP | TEFC | Prem | ODP | TEFC | Prem | ODP | TEFC | Prem |
| 1/2 | Drive | 221600 | 221605 | N/A | 221612 | N/A | | | | | | | |
| | Line Reactor | 221595 | 221598 | | 221590 | | | | | | | | |
| 3/4 | Drive | N/A | 221606 | N/A | 221613 | N/A | | | | | | | |
| | Line Reactor | | 221598 | | 221591 | | | | | | | | |
| 1 | Drive | 221601 | 221607 | | 221614 | | | | | | | | |
| | Line Reactor | 221596 | 221594 | | 221592 | | | | | | | | |
| 1-1/2 | Drive | 221602 | 221608 | | 221615 | | | | | | | | |
| | Line Reactor | 221597 | 221595 | | 221593 | | | | | | | | |
| 2 | Drive | 221603 | 221609 | | 221616 | | | | | | | 221855 | |
| | Line Reactor | 221597 | 221596 | | 221585 | | | | | | | NA (Built-in) | |
| 3 | Drive | 221604 | 221610 | | 221617 | | | | | | | 221856 | |
| | Line Reactor | 221599 | 221597 | | 221586 | | | | | | | NA (Built-in) | |
| 5 | Drive | N/A | 221611 | | 221618 | | | | | | | 221857 | |
| | Line Reactor | | 221599 | | 221587 | | | | | | | NA (Built-in) | |

Replacement Blower Motors and Starters

| Type | HP | AL | Open Motor | | | | | Frame Size | Service Factor | Power Factor | Starter (AN10) | | Starter Overload | | | |
|------|-----|----|------------|--------|------|------|----|------------|----------------|--------------|----------------|--------|------------------|-------|-------|--------|
| | | | Mfr's #. | P/N | fla | volt | ph | | | | Mfr # | P/N | Mfr # | min | max | P/N |
| Open | 1/4 | 2 | BF2024 | 210611 | 4.6 | 120 | 1 | 48/56 | 1.35 | | CL00A310T-J | 151146 | RTA1-L | 4.00 | 6.30 | 151191 |
| | | | BF2024 | 210611 | 2.3 | 208 | 1 | 48/56 | 1.15 | 63 | CL00A310T-L | 151150 | RTA1-J | 1.90 | 2.70 | 151189 |
| | | | BF2024 | 210611 | 2.3 | 240 | 1 | 48/56 | 1.15 | 63 | CL00A310T-S | 151147 | RTA1-J | 1.90 | 2.70 | 151189 |
| | | | M3003 | 115864 | 1.1 | 208 | 3 | K48 | 1.35 | 72 | CL00A310T-L | 151150 | RTA1-G | 1.00 | 1.50 | 151187 |
| | | | M3003 | 115864 | 1.4 | 240 | 3 | K48 | 1.35 | 72 | CL00A310T-S | 151147 | RTA1-G | 1.00 | 1.50 | 151187 |
| Open | 1/3 | 3 | M3003 | 115864 | 0.75 | 480 | 3 | K48 | 1.35 | 72 | CL00A310T-U | 151148 | RTA1-F | 0.65 | 1.10 | 151186 |
| | | | BF2034 | 202091 | 6 | 120 | 1 | 48/56 | 1.35 | | CL00A310T-J | 151146 | RTA1-L | 4.00 | 6.30 | 151191 |
| | | | BF2034 | 202091 | 3 | 208 | 1 | 48/56 | 1.35 | 62.8 | CL00A310T-L | 151150 | RTA1-K | 2.50 | 4.10 | 151190 |
| | | | BF2034 | 202091 | 3 | 240 | 1 | 48/56 | 1.35 | 62.8 | CL00A310T-S | 151147 | RTA1-K | 2.50 | 4.10 | 151190 |
| | | | M3007 | 115863 | 1.4 | 208 | 3 | K48 | 1.35 | | CL00A310T-L | 151150 | RTA1-G | 1.00 | 1.50 | 151187 |
| Open | 1/2 | 4 | M3007 | 115863 | 1.6 | 240 | 3 | K48 | 1.35 | | CL00A310T-S | 151147 | RTA1-H | 1.30 | 1.90 | 151188 |
| | | | M3007 | 115863 | 0.8 | 480 | 3 | K48 | 1.35 | | CL00A310T-U | 151148 | RTA1-F | 0.65 | 1.10 | 151186 |
| | | | BF2054 | 102627 | 8.8 | 120 | 1 | 56Z | 1.15 | | CL00A310T-J | 151146 | RTA1-N | 8.00 | 12.00 | 151193 |
| | | | BF2054 | 102627 | 5.1 | 208 | 1 | 56Z | 1.15 | | CL00A310T-L | 151150 | RTA1-L | 4.00 | 6.30 | 151191 |
| | | | BF2054 | 102627 | 4.4 | 240 | 1 | 56Z | 1.15 | | CL00A310T-S | 151147 | RTA1-L | 4.00 | 6.30 | 151191 |
| Open | 3/4 | 5 | H880 | 159183 | 2.5 | 208 | 3 | LA56 | 1.25 | | CL00A310T-L | 151150 | RTA1-J | 1.90 | 2.70 | 151189 |
| | | | H880 | 159183 | 3 | 240 | 3 | LA56 | 1.25 | | CL00A310T-S | 151147 | RTA1-K | 2.50 | 4.10 | 151190 |
| | | | H880 | 159183 | 1.5 | 480 | 3 | LA56 | 1.25 | | CL00A310T-U | 151148 | RTA1-H | 1.30 | 1.90 | 151188 |
| | | | H991 | 202089 | .9 | 575 | 3 | H56 | 1.25 | | CL00A310T-1 | 151275 | RTA1-F | 0.65 | 1.10 | 151186 |
| | | | C426V1 | 93548 | 11 | 120 | 1 | B56 | | | CL01A310T-J | 151151 | RTA1-P | 10.00 | 16.00 | 151194 |
| | | | C426V1 | 93548 | 5.5 | 208 | 1 | B56 | | | CL00A310T-L | 151150 | RTA1-M | 5.50 | 8.50 | 151192 |
| | | | C426V1 | 93548 | 5.4 | 240 | 1 | B56 | | | CL00A310T-S | 151147 | RTA1-L | 4.00 | 6.30 | 151191 |
| | | | 312P696 | 36951 | 2.9 | 208 | 3 | D56 | 1.25 | | CL00A310T-L | 151150 | RTA1-K | 2.50 | 4.10 | 151190 |
| | | | 312P696 | 36951 | 2.6 | 240 | 3 | D56 | 1.25 | | CL00A310T-S | 151147 | RTA1-K | 2.50 | 4.10 | 151190 |
| | | | 312P696 | 36951 | 1.3 | 480 | 3 | D56 | 1.25 | | CL00A310T-U | 151148 | RTA1-G | 1.00 | 1.50 | 151187 |
| Open | 1 | 6 | H992 | 202090 | 1.0 | 575 | 3 | H56 | 1.25 | | CL00A310T-1 | 151275 | RTA1-F | 0.65 | 1.10 | 151186 |
| | | | C523 | 13685 | 13 | 120 | 1 | H56 | 1.25 | | CL01A310T-J | 151151 | RTA1-P | 10.00 | 16.00 | 151194 |
| | | | C523 | 13685 | 7.5 | 208 | 1 | H56 | 1.25 | | CL00A310T-L | 151150 | RTA1-M | 5.50 | 8.50 | 151192 |
| | | | C523 | 13685 | 6.5 | 240 | 1 | H56 | 1.25 | | CL00A310T-S | 151147 | RTA1-M | 5.50 | 8.50 | 151192 |
| | | | H882 | 36580 | 3.7 | 208 | 3 | H56 | 1.15 | | CL00A310T-L | 151150 | RTA1-K | 2.50 | 4.10 | 151190 |
| | | | H882 | 36580 | 3.2 | 240 | 3 | H56 | 1.15 | | CL00A310T-S | 151147 | RTA1-K | 2.50 | 4.10 | 151190 |
| | | | H882 | 36580 | 1.6 | 480 | 3 | H56 | 1.15 | | CL00A310T-U | 151148 | RTA1-H | 1.30 | 1.90 | 151188 |
| Open | 1.5 | 7 | E1006L | 158175 | 1.1 | 575 | 3 | N143T | 1.15 | | CL00A310T-Y | 151149 | RTA1-G | 1.00 | 1.50 | 151187 |
| | | | C524 | 194202 | 15 | 120 | 1 | 56 | 1.2 | 86.4 | CL02A310T-J | 151156 | RTA1-P | 10.00 | 16.00 | 151194 |
| | | | C524 | 194202 | 7.8 | 208 | 1 | 56 | 1.2 | 86.4 | CL00A310T-L | 151150 | RTA1-M | 5.50 | 8.50 | 151192 |
| | | | C524 | 194202 | 7.5 | 240 | 1 | 56 | 1.2 | 86.4 | CL00A310T-S | 151147 | RTA1-M | 5.50 | 8.50 | 151192 |
| | | | H884L | 115859 | 5.6 | 208 | 3 | F56 | 1.15 | 66.4 | CL00A310T-L | 151150 | RTA1-L | 4.00 | 6.30 | 151191 |
| | | | H884L | 115859 | 5 | 240 | 3 | F56 | 1.15 | 66.4 | CL00A310T-S | 151147 | RTA1-L | 4.00 | 6.30 | 151191 |
| | | | H884L | 115859 | 2.8 | 480 | 3 | F56 | 1.15 | 66.4 | CL00A310T-U | 151148 | RTA1-K | 2.50 | 4.10 | 151190 |
| Open | 1.5 | 7 | E1007 | 158162 | 1.6 | 575 | 3 | R145T | 1.15 | 85.3 | CL00A310T-Y | 151149 | RTA1-H | 1.30 | 1.90 | 151188 |

Replacement Blower Motors and Starters (cont'd) - See replacement information, top of page 27.

| | | Open Motor | | | | | | Frame | Service | Power | Starter (AN10) | | | Starter Overload | | |
|------|-----|------------|-----------|--------|------|------|----|-------|---------|--------|----------------|--------|--------|------------------|-------|--------|
| Type | HP | AL | Mfr's #. | P/N | fla | volt | ph | Size | Factor | Factor | Mfr # | P/N | Mfr # | min | max | P/N |
| Open | 2 | 8 | RB1204AV1 | 202581 | 24.6 | 120 | 1 | 56H | 1.15 | 81.8 | CL25A310T-J | 151160 | RTA1-T | 17.50 | 22.00 | 151197 |
| | 2 | | RB1204AV1 | 202581 | 12.3 | 208 | 1 | 56H | 1.15 | 81.8 | CL01A310T-L | 151155 | RTA1-N | 8.00 | 12.00 | 151193 |
| | 2 | | RB1204AV1 | 202581 | 12.3 | 240 | 1 | 56H | 1.15 | 81.8 | CL01A310T-S | 151152 | RTA1-N | 8.00 | 12.00 | 151193 |
| | 2 | | H886 | 159327 | 7.0 | 208 | 3 | 56HZ | 1.15 | 67 | CL00A310T-L | 151150 | RTA1-M | 5.50 | 8.50 | 151192 |
| | 2 | | H886 | 159327 | 6.6 | 240 | 3 | 56HZ | 1.15 | 67 | CL00A310T-S | 151147 | RTA1-M | 5.50 | 8.50 | 151192 |
| | 2 | | H886 | 159327 | 3.5 | 480 | 3 | 56HZ | 1.15 | 67 | CL00A310T-U | 151148 | RTA1-K | 2.50 | 4.10 | 151190 |
| | 2 | | E1008 | 158176 | 2.1 | 575 | 3 | P145T | 1.15 | 86 | CL00A310T-Y | 151149 | RTA1-J | 1.90 | 2.70 | 151189 |
| Open | 3 | 9 | B735 | 111560 | 13.7 | 208 | 1 | L56 | 1.15 | 94.5 | CL02A310T-L | 151159 | RTA1-P | 10.00 | 16.00 | 151194 |
| | 3 | | B735 | 111560 | 12.4 | 240 | 1 | L56 | 1.15 | 94.5 | CL01A310T-S | 151152 | RTA1-P | 10.00 | 16.00 | 151194 |
| | 3 | | H845 | 159185 | 9.0 | 208 | 3 | P56HZ | 1.15 | | CL00A310T-L | 151150 | RTA1-N | 8.00 | 12.00 | 151193 |
| | 3 | | H845 | 159185 | 8.6 | 240 | 3 | P56HZ | 1.15 | | CL00A310T-S | 151147 | RTA1-N | 8.00 | 12.00 | 151193 |
| | 3 | | H845 | 159185 | 4.3 | 480 | 3 | P56HZ | 1.15 | | CL00A310T-U | 151148 | RTA1-L | 4.00 | 6.30 | 151191 |
| | 3 | | H954 | 120019 | 3.6 | 575 | 3 | P145T | 1.15 | 80.3 | CL00A310T-Y | 151149 | RTA1-K | 2.50 | 4.10 | 151190 |
| Open | 5 | 10 | V211 | 111562 | 28.3 | 208 | 1 | L184T | 1.15 | 79.2 | CL04A310M-L | 151169 | RTA1-V | 25.00 | 32.00 | 151199 |
| | 5 | | V211 | 111562 | 25.6 | 240 | 1 | L184T | 1.15 | 79.2 | CL04A310M-S | 151166 | RTA1-V | 25.00 | 32.00 | 151199 |
| | 5 | | 196033J | 113371 | 13.4 | 208 | 3 | Y56HZ | 1.15 | 87.2 | CL01A310T-L | 151155 | RTA1-P | 10.00 | 16.00 | 151194 |
| | 5 | | 196033J | 113371 | 13.2 | 240 | 3 | Y56HZ | 1.15 | 87.2 | CL01A310T-S | 151152 | RTA1-P | 10.00 | 16.00 | 151194 |
| | 5 | | 196033J | 113371 | 6.6 | 480 | 3 | Y56HZ | 1.15 | 87.2 | CL00A310T-U | 151148 | RTA1-M | 5.50 | 8.50 | 151192 |
| | 5 | | H956 | 120020 | 5.4 | 575 | 3 | Y56HZ | 1.15 | 85.9 | CL00A310T-Y | 151149 | RTA1-L | 4.00 | 6.30 | 151191 |
| Open | 7.5 | 11 | V305 | 105828 | 35.4 | 208 | 1 | S215T | 1.15 | 87 | CL06A311M-L | 151173 | RTA2-E | 30.00 | 43.00 | 151206 |
| | 7.5 | | V305 | 105828 | 32.0 | 240 | 1 | S215T | 1.15 | 87 | CL45A310M-S | 151170 | RTA1-V | 25.00 | 32.00 | 151199 |
| | 7.5 | | M3311T | 105855 | 32.0 | 208 | 3 | 213T | 1.15 | 82.5 | CL25A310T-L | 151164 | RTA1-U | 21.00 | 26.00 | 151198 |
| | 7.5 | | M3311T | 105855 | 20.0 | 240 | 3 | 213T | 1.15 | 82.5 | CL25A310T-S | 151161 | RTA1-T | 17.50 | 22.00 | 151197 |
| | 7.5 | | M3311T | 105855 | 10.0 | 480 | 3 | 213T | 1.15 | 82.5 | CL01A310T-U | 151153 | RTA1-N | 8.00 | 12.00 | 151193 |
| | 7.5 | | M3311T-5 | 158164 | 7.7 | 575 | 3 | 213T | 1.15 | 86.5 | CL00A310T-Y | 151149 | RTA1-M | 5.50 | 8.50 | 151192 |
| Open | 10 | 12 | V303 | 105830 | 42.0 | 208 | 1 | S215T | 1.15 | 96 | CL06A311M-L | 151173 | RTA2-E | 30.00 | 43.00 | 151206 |
| | 10 | | V303 | 105830 | 38.0 | 240 | 1 | S215T | 1.15 | 96 | CL06A311M-S | 151172 | RTA2-E | 30.00 | 43.00 | 151206 |
| | 10 | | M3313T | 105858 | 29.0 | 208 | 3 | 215T | 1.15 | 85.5 | CL04A310M-L | 151169 | RTA1-V | 25.00 | 32.00 | 151199 |
| | 10 | | M3313T | 105858 | 26.8 | 240 | 3 | 215T | 1.15 | 85.5 | CL04A310M-S | 151166 | RTA1-V | 25.00 | 32.00 | 151199 |
| | 10 | | M3313T | 105858 | 13.4 | 480 | 3 | 215T | 1.15 | 85.5 | CL01A310T-U | 151153 | RTA1-P | 10.00 | 16.00 | 151194 |
| | 10 | | M3313T-5 | 158163 | 10.8 | 575 | 3 | 215T | 1.15 | 81 | CL01A310T-Y | 151154 | RTA1-P | 10.00 | 16.00 | 151194 |
| Open | 15 | 15 | FM2513T-8 | 142287 | 43.1 | 208 | 3 | 254T | 1.15 | 80 | CL06A311M-L | 151173 | RTA2-G | 42.00 | 55.00 | 151202 |
| | 15 | | FM2513T | 142288 | 39.0 | 240 | 3 | 254T | 1.15 | 80 | CL06A311M-S | 151172 | RTA2-E | 30.00 | 43.00 | 151206 |
| | 15 | | FM2513T | 142288 | 19.5 | 480 | 3 | 254T | 1.15 | 80 | CL25A310T-U | 151162 | RTA1-T | 17.50 | 22.00 | 151197 |
| | 15 | | FM2513T-5 | 142289 | 16.0 | 575 | 3 | 254T | 1.15 | 80 | CL02A310T-Y | 151158 | RTA1-S | 14.50 | 18.00 | 151196 |
| Open | 20 | 16 | FM2515T-8 | 142295 | 58.7 | 208 | 3 | 256T | 1.15 | 80 | CL07A311M-L | 151176 | RTA2-H | 54.00 | 65.00 | 151203 |
| | 20 | | FM2515T | 142296 | 53.0 | 240 | 3 | 256T | 1.15 | 81 | CL07A311M-S | 151175 | RTA2-G | 42.00 | 55.00 | 151202 |
| | 20 | | FM2515T | 142296 | 26.5 | 480 | 3 | 256T | 1.15 | 81 | CL04A310M-U | 151167 | RTA1-V | 25.00 | 32.00 | 151199 |
| | 20 | | FM2515T-5 | 142297 | 21.2 | 575 | 3 | 256T | 1.15 | 80 | CL25A310T-Y | 151163 | RTA1-T | 17.50 | 22.00 | 151197 |

| | | TEFC Motor | | | | | | Frame | Service | Power | Starter (AN10) | | | Starter Overload | | |
|------|-----|------------|----------|--------|------|------|----|-------|---------|--------|----------------|--------|--------|------------------|-------|--------|
| Type | HP | AL | Mfr's #. | P/N | fla | volt | ph | Size | Factor | Factor | Mfr # | P/N | Mfr # | min | max | P/N |
| TEFC | 1/4 | 19 | #904 | 105566 | 3.6 | 120 | 1 | M48 | 1 | | CL00A310T-J | 151146 | RTA1-K | 2.50 | 4.10 | 151190 |
| | | | C199 | 16074 | 2.2 | 208 | 1 | H56 | 1.35 | | CL00A310T-L | 151150 | RTA1-J | 1.90 | 2.70 | 151189 |
| | | | C199 | 16074 | 2.6 | 240 | 1 | H56 | 1.35 | | CL00A310T-S | 151147 | RTA1-H | 1.30 | 1.90 | 151188 |
| | | | 125439 | 16075 | 1.6 | 208 | 3 | B56 | 1 | 61.9 | CL00A310T-L | 151150 | RTA1-H | 1.30 | 1.90 | 151188 |
| | | | 125439 | 16075 | 1.4 | 240 | 3 | B56 | 1 | 61.9 | CL00A310T-S | 151147 | RTA1-G | 1.00 | 1.50 | 151187 |
| | | | 125439 | 16075 | 0.7 | 480 | 3 | B56 | 1 | 61.9 | CL00A310T-U | 151148 | RTA1-F | 0.65 | 1.10 | 151186 |
| TEFC | 1/3 | 20 | #906L | 115861 | 4.6 | 120 | 1 | N48 | 1 | 68.5 | CL00A310T-J | 151146 | RTA1-L | 4.00 | 6.30 | 151191 |
| | | | C151 | 159501 | 2.3 | 208 | 1 | N48 | 1 | 67.2 | CL00A310T-L | 151150 | RTA1-J | 1.90 | 2.70 | 151189 |
| | | | C151 | 159501 | 2.4 | 240 | 1 | N48 | 1 | 67.2 | CL00A310T-S | 151147 | RTA1-J | 1.90 | 2.70 | 151189 |
| | | | H261 | 105567 | 1.2 | 208 | 3 | L48 | 1.15 | | CL00A310T-L | 151150 | RTA1-G | 1.00 | 1.50 | 151187 |
| | | | H261 | 105567 | 1.2 | 240 | 3 | L48 | 1.15 | | CL00A310T-S | 151147 | RTA1-G | 1.00 | 1.50 | 151187 |
| | | | H261 | 105567 | 0.6 | 480 | 3 | L48 | 1.15 | | CL00A310T-U | 151148 | RTA1-D | 0.40 | 0.65 | 151184 |
| TEFC | 1/2 | 21 | C613 | 159184 | 7.2 | 120 | 1 | J56 | 1.15 | | CL00A310T-J | 151146 | RTA1-M | 5.50 | 8.50 | 151192 |
| | | | C613 | 159184 | 3.5 | 208 | 1 | J56 | 1.15 | | CL00A310T-L | 151150 | RTA1-K | 2.50 | 4.10 | 151190 |
| | | | C613 | 159184 | 3.6 | 240 | 1 | J56 | 1.15 | | CL00A310T-S | 151147 | RTA1-K | 2.50 | 4.10 | 151190 |
| | | | H274 | 16077 | 2.3 | 208 | 3 | H56 | 1 | 59.5 | CL00A310T-L | 151150 | RTA1-J | 1.90 | 2.70 | 151189 |
| | | | H274 | 16077 | 2.0 | 240 | 3 | H56 | 1 | 59.5 | CL00A310T-S | 151147 | RTA1-J | 1.90 | 2.70 | 151189 |
| | | | H274 | 16077 | 1.0 | 480 | 3 | H56 | 1 | 59.5 | CL00A310T-U | 151148 | RTA1-F | 0.65 | 1.10 | 151186 |
| TEFC | 3/4 | 22 | H276 | 105568 | 0.7 | 575 | 3 | J56 | 1.15 | 76.4 | CL00A310T-Y | 151149 | RTA1-F | 0.65 | 0.90 | 151186 |
| | | | F353 | 115860 | 11.0 | 120 | 1 | F56 | 1 | 66 | CL01A310T-J | 151151 | RTA1-P | 10.00 | 16.00 | 151194 |
| | | | F353 | 115860 | 5.4 | 208 | 1 | F56 | 1 | 66 | CL00A310T-L | 151150 | RTA1-L | 4.00 | 6.30 | 151191 |
| | | | F353 | 115860 | 5.5 | 240 | 1 | F56 | 1 | 66 | CL00A310T-S | 151147 | RTA1-L | 4.00 | 6.30 | 151191 |
| | | | H580 | 20371 | 2.0 | 208 | 3 | KA56 | 1 | 73.5 | CL00A310T-L | 151150 | RTA1-J | 1.90 | 2.70 | 151189 |
| | | | H580 | 20371 | 2.2 | 240 | 3 | KA56 | 1 | 73.5 | CL00A310T-S | 151147 | RTA1-J | 1.90 | 2.70 | 151189 |
| TEFC | 1 | 23 | H580 | 20371 | 1.1 | 480 | 3 | KA56 | 1 | 73.5 | CL00A310T-U | 151148 | RTA1-G | 1.00 | 1.50 | 151187 |
| | | | H461 | 105569 | 0.8 | 575 | 3 | L56 | 1.15 | 78.3 | CL00A310T-Y | 151149 | RTA1-F | 0.65 | 1.10 | 151186 |
| | | | 159105 | 174993 | 12.0 | 120 | 1 | L56 | 1.15 | 74.3 | CL01A310T-J | 151151 | RTA1-P | 10.00 | 16.00 | 151194 |
| | | | 159105 | 174993 | 6.2 | 208 | 1 | L56 | 1.15 | 74.3 | CL00A310T-S | 151147 | RTA1-M | 5.50 | 8.50 | 151192 |
| | | | 159105 | 174993 | 6.0 | 240 | 1 | L56 | 1.15 | 74.3 | CL00A310T-S | 151147 | RTA1-M | 5.50 | 8.50 | 151192 |
| | | | H524 | 16080 | 3.3 | 208 | 3 | J56 | 1 | 74.4 | CL00A310T-L | 151150 | RTA1-K | 2.50 | 4.10 | 151190 |

| TEFC Motor | | | | | | | | Frame Size | Service Factor | Power Factor | Starter (AN10) | | Starter Overload | | | |
|------------------|---------------|----|-----------|--------|------|------|----|------------|----------------|--------------|----------------|--------|------------------|-------|-------|--------|
| Type | HP | AL | Mfr's #. | P/N | fla | volt | ph | | | | Mfr # | P/N | Mfr # | min | max | P/N |
| TEFC (cont'd) | 1 (cont'd) | 23 | H524 | 16080 | 3.4 | 240 | 3 | J56 | 1 | 74.4 | CL00A310T-S | 151147 | RTA1-K | 2.50 | 4.10 | 151190 |
| | | | H524 | 16080 | 1.7 | 480 | 3 | J56 | 1 | 74.4 | CL00A310T-U | 151148 | RTA1-H | 1.30 | 1.90 | 151188 |
| | | | H525 | 105570 | 1.4 | 575 | 3 | H56 | 1.15 | 71.6 | CL00A310T-Y | 151149 | RTA1-G | 1.00 | 1.50 | 151187 |
| TEFC | 1.5 | 24 | C686 | 94347 | 16.4 | 120 | 1 | TK56H | | | CL02A310T-J | 151156 | RTA1-S | 14.50 | 18.00 | 151196 |
| TEFC | | | C686 | 94347 | 9.5 | 208 | 1 | TK56H | | | CL00A310T-L | 151150 | RTA1-N | 8.00 | 12.00 | 151193 |
| TEFC | | | C686 | 94347 | 8.2 | 240 | 1 | TK56H | | | CL00A310T-S | 151147 | RTA1-N | 8.00 | 12.00 | 151193 |
| TEFC | | | H535 | 101286 | 4.3 | 208 | 3 | L56H | 1 | 80.9 | CL00A310T-L | 151150 | RTA1-L | 4.00 | 6.30 | 151191 |
| TEFC | | | H535 | 101286 | 4.4 | 240 | 3 | L56H | 1 | 80.9 | CL00A310T-S | 151147 | RTA1-L | 4.00 | 6.30 | 151191 |
| TEFC | | | H535 | 101286 | 2.2 | 480 | 3 | L56H | 1 | 80.9 | CL00A310T-U | 151148 | RTA1-J | 1.90 | 2.70 | 151189 |
| TEFC | | | E127 | 105665 | 1.6 | 575 | 3 | M145T | 1.15 | 85.7 | CL00A310T-Y | 151149 | RTA1-H | 1.30 | 1.90 | 151188 |
| TEFC | 2 | 25 | C687 | 105572 | 24.0 | 120 | 1 | F182T | 1 | 76.4 | CL04A310M-J | 151165 | RTA1-U | 21.00 | 26.00 | 151198 |
| TEFC | | | L3516TM | 205881 | 8.3 | 240 | 1 | 56HZ | 1 | 76.4 | CL01A310T-S | 151152 | RTA1-P | 10.00 | 16.00 | 151194 |
| TEFC | | | M3587T | 158165 | 6.3 | 208 | 3 | 145T | 1.15 | 77.5 | CL00A310T-L | 151150 | RTA1-M | 5.50 | 8.50 | 151192 |
| TEFC | | | M3587T | 158165 | 5.8 | 240 | 3 | 145T | 1.15 | 77.5 | CL00A310T-S | 151147 | RTA1-L | 4.00 | 6.30 | 151191 |
| TEFC | | | M3587T | 158165 | 2.9 | 480 | 3 | 145T | 1.15 | 77.5 | CL00A310T-U | 151148 | RTA1-K | 2.50 | 4.10 | 151190 |
| TEFC | | | M3587T-5 | 158166 | 2.2 | 575 | 3 | 145T | 1.15 | 77.5 | CL00A310T-Y | 151149 | RTA1-J | 1.90 | 2.70 | 151189 |
| TEFC | | | K222 | 111564 | 30.0 | 120 | 1 | F184T | 1 | 88 | CL04A310M-J | 151165 | RTA1-V | 25.00 | 32.00 | 151199 |
| TEFC | 3 | 26 | K222 | 111564 | 15.0 | 240 | 1 | F184T | 1 | 88 | CL02A310T-S | 151157 | RTA1-P | 10.00 | 16.00 | 151194 |
| TEFC | | | M3559T | 159330 | 7.9 | 208 | 3 | 145T | 1.15 | | CL00A310T-L | 151150 | RTA1-M | 5.50 | 8.50 | 151192 |
| TEFC | | | M3559T | 159330 | 7.2 | 240 | 3 | 145T | 1.15 | | CL00A310T-S | 151147 | RTA1-M | 5.50 | 8.50 | 151192 |
| TEFC | | | M3559T | 159330 | 3.6 | 480 | 3 | 145T | 1.15 | | CL00A310T-U | 151148 | RTA1-K | 2.50 | 4.10 | 151190 |
| TEFC | | | M3660T-5 | 158168 | 3.0 | 575 | 3 | 182T | 1.15 | | CL00A310T-Y | 151149 | RTA1-K | 2.50 | 4.10 | 151190 |
| TEFC | | | K223 | 111567 | 20.2 | 240 | 1 | F184T | 1 | 90.8 | CL04A310M-S | 151166 | RTA1-T | 17.50 | 22.00 | 151197 |
| TEFC | | | M3663T | 155048 | 12.8 | 208 | 3 | 184T | 1.15 | | CL01A310T-L | 151155 | RTA1-S | 14.50 | 18.00 | 151196 |
| TEFC | 5 | 27 | M3663T | 155048 | 11.8 | 240 | 3 | 184T | 1.15 | | CL01A310T-S | 151152 | RTA1-P | 10.00 | 16.00 | 151194 |
| TEFC | | | M3663T | 155048 | 5.9 | 480 | 3 | 184T | 1.15 | | CL00A310T-U | 151148 | RTA1-L | 4.00 | 6.30 | 151191 |
| TEFC | | | M3663T-5 | 158170 | 4.8 | 575 | 3 | 184T | 1.15 | 90 | CL00A310T-Y | 151149 | RTA1-L | 4.00 | 6.30 | 151191 |
| TEFC | | | K305 | 105842 | 34.0 | 240 | 1 | F215T | 1 | 86.5 | CL45A310M-S | 151170 | RTA1-W | 30.00 | 40.00 | 151200 |
| TEFC | | | T4631 | 158171 | 21.0 | 208 | 3 | 213T | 1.15 | 83.1 | CL04A310M-L | 151169 | RTA1-U | 21.00 | 26.00 | 151198 |
| TEFC | | | T4631 | 158171 | 19.0 | 240 | 3 | 213T | 1.15 | 83.1 | CL25A310T-S | 151161 | RTA1-T | 17.50 | 22.00 | 151197 |
| TEFC | | | T4631 | 158171 | 9.5 | 480 | 3 | 213T | 1.15 | 83.1 | CL01A310T-U | 151153 | RTA1-N | 8.00 | 12.00 | 151193 |
| TEFC | 7.5 | 32 | M3710T-5 | 158172 | 8.1 | 575 | 3 | 213T | 1.15 | 83.1 | CL00A310T-Y | 151149 | RTA1-M | 5.50 | 8.50 | 151192 |
| TEFC | | | K313 | 105846 | 39.0 | 240 | 1 | 215T | 1 | 96.5 | CL06A311M-S | 151172 | RTA2-E | 30.00 | 43.00 | 151206 |
| TEFC | | | M3774T | 158173 | 39.0 | 208 | 3 | 215T | 1.15 | 85 | CL04A310M-L | 151169 | RTA1-V | 25.00 | 32.00 | 151199 |
| TEFC | | | M3774T | 158173 | 20.0 | 240 | 3 | 215T | 1.15 | 85 | CL04A310M-S | 151166 | RTA1-U | 21.00 | 26.00 | 151198 |
| TEFC | | | M3774T | 158173 | 10.0 | 480 | 3 | 215T | 1.15 | 85 | CL01A310T-U | 151153 | RTA1-P | 10.00 | 16.00 | 151194 |
| TEFC | | | M3774T-5 | 158174 | 11.4 | 575 | 3 | 215T | 1.15 | 85 | CL01A310T-Y | 151154 | RTA1-N | 8.00 | 12.00 | 151193 |
| TEFC | | | E301M | 142443 | 38.0 | 240 | 3 | 254T | 1.15 | 82 | CL06A311M-S | 151172 | RTA2-E | 30.00 | 43.00 | 151206 |
| TEFC | 15 | 34 | E301M | 142443 | 19.0 | 480 | 3 | 254T | 1.15 | 82 | CL25A310T-U | 151162 | RTA1-T | 17.50 | 22.00 | 151197 |
| TEFC | | | FM2333-5 | 142444 | 15.0 | 575 | 3 | 254T | 1.15 | 82 | CL02A310T-Y | 151158 | RTA1-P | 10.00 | 16.00 | 151194 |
| TEFC | | | FM2334T | 142301 | 52.0 | 240 | 3 | 256T | 1.15 | 81 | CL07A311M-S | 151175 | RTA2-G | 42.00 | 55.00 | 151202 |
| TEFC | | | FM2334T | 142301 | 26.0 | 480 | 3 | 256T | 1.15 | 81 | CL04A310M-U | 151167 | RTA1-V | 25.00 | 32.00 | 151199 |
| TEFC | | | FM2334T-5 | 142302 | 20.6 | 575 | 3 | 256T | 1.15 | 81 | CL25A310T-Y | 151163 | RTA1-T | 17.50 | 22.00 | 151197 |

| Premium Efficient Motor | | | | | | | | Frame Size | Service Factor | Power Factor | Starter (AN10) | | Starter Overload | | | |
|-------------------------|-----|----|--------------|--------|------|------|----|------------|----------------|--------------|----------------|--------|------------------|-------|-------|--------|
| Type | HP | AL | Mfr's #. | P/N | fla | volt | ph | | | | Mfr # | P/N | Mfr # | min | max | P/N |
| EE | 1 | 36 | DHP0014 | 159328 | 3.1 | 208 | 3 | 143T | 1.15 | 83.5 | CL00A310T-L | 151150 | RTA1-K | 2.50 | 4.10 | 151190 |
| EE | | | DHP0014 | 159328 | 2.8 | 240 | 3 | 143T | 1.15 | | CL00A310T-S | 151147 | RTA1-K | 2.50 | 4.10 | 151190 |
| EE | | | DHP0014 | 159328 | 1.4 | 480 | 3 | 143T | 1.15 | | CL00A310T-U | 151148 | RTA1-G | 1.00 | 1.50 | 151187 |
| EE | | | E1006 | 158175 | 1.1 | 575 | 3 | N143T | 1.15 | | CL00A310T-Y | 151149 | RTA1-G | 1.00 | 1.50 | 151187 |
| EE | 1.5 | 37 | E104 | 105662 | 4.5 | 208 | 3 | P145T | 1.15 | 86 | CL00A310T-L | 151150 | RTA1-L | 4.00 | 6.30 | 151191 |
| EE | | | E1016 | 159329 | 4.0 | 240 | 3 | 145T | 1.15 | | CL00A310T-S | 151147 | RTA1-K | 2.50 | 4.10 | 151190 |
| EE | | | E1016 | 159329 | 2.0 | 480 | 3 | 145T | 1.15 | | CL00A310T-U | 151148 | RTA1-J | 1.90 | 2.70 | 151189 |
| EE | | | E1007 | 158162 | 1.6 | 575 | 3 | R145T | 1.15 | 85.3 | CL00A310T-Y | 151149 | RTA1-H | 1.30 | 1.90 | 151188 |
| EE | 2 | 38 | E105 | 105664 | 6.1 | 208 | 3 | P145T | 1.15 | 86.8 | CL00A310T-L | 151150 | RTA1-L | 4.00 | 6.30 | 151191 |
| EE | | | E1017 | 159027 | 5.6 | 240 | 3 | 145T | 1.15 | | CL00A310T-S | 151147 | RTA1-L | 4.00 | 6.30 | 151191 |
| EE | | | E1017 | 159027 | 2.8 | 480 | 3 | 145T | 1.15 | | CL00A310T-U | 151148 | RTA1-K | 2.50 | 4.10 | 151190 |
| EE | | | E1008 | 158176 | 2.1 | 575 | 3 | P145T | 1.15 | 86 | CL00A310T-Y | 151149 | RTA1-J | 1.90 | 2.70 | 151189 |
| EE | 3 | 39 | 35L405S489G3 | 159186 | 8.3 | 208 | 3 | 145T | 1.15 | | CL00A310T-L | 151150 | RTA1-N | 8.00 | 12.00 | 151193 |
| EE | | | EM3158T | 159028 | 7.4 | 240 | 3 | 145T | | | CL00A310T-S | 151147 | RTA1-M | 5.50 | 8.50 | 151192 |
| EE | | | EM3158T | 159028 | 3.7 | 480 | 3 | 145T | | | CL00A310T-U | 151148 | RTA1-K | 2.50 | 4.10 | 151190 |
| EE | | | 35L405S709G1 | 159030 | 3.0 | 575 | 3 | 145T | 1.15 | | CL00A310T-Y | 151149 | RTA1-K | 2.50 | 4.10 | 151190 |
| EE | 5 | 40 | E204 | 159029 | 11.6 | 208 | 3 | H182T | 1.15 | 89 | CL02A310T-L | 151159 | RTA1-P | 10.00 | 16.00 | 151194 |
| EE | | | E204 | 159029 | 11.6 | 240 | 3 | H182T | 1.15 | 89 | CL02A310T-S | 151157 | RTA1-P | 10.00 | 16.00 | 151194 |
| EE | | | E204 | 159029 | 5.8 | 480 | 3 | H182T | 1.15 | 89 | CL00A310T-U | 151148 | RTA1-M | 5.50 | 8.50 | 151192 |
| EE | | | M3613T-5 | 111602 | 4.8 | 575 | 3 | 184T | 1.15 | | CL00A310T-Y | 151149 | RTA1-L | 4.00 | 6.30 | 151191 |
| EE | 7.5 | 41 | E316 | 159331 | 21.4 | 208 | 3 | D213T | 1.15 | 82 | CL04A310M-L | 151169 | RTA1-U | 21.00 | 26.00 | 151198 |
| EE | | | E317 | 159332 | 18.6 | 240 | 3 | D213T | 1.15 | 82 | CL25A310T-S | 151161 | RTA1-T | 17.50 | 22.00 | 151197 |
| EE | | | E317 | 159332 | 9.3 | 480 | 3 | D213T | 1.15 | 82 | CL00A310T-U | 151148 | RTA1-N | 8.00 | 12.00 | 151193 |
| EE | | | M3311T-5 | 158164 | 7.7 | 575 | 3 | 213T | 1.15 | 81.5 | CL00A310T-Y | 151149 | RTA1-M | 5.50 | 8.50 | 151192 |
| EE | 10 | 42 | EM3313T | 159334 | 26.0 | 208 | 3 | 215T | 1.15 | 85.5 | CL04A310M-L | 151169 | RTA1-V | 25.00 | 32.00 | 151199 |
| EE | | | EM3313T | 159334 | 25.0 | 240 | 3 | 215T | 1.15 | 85.5 | CL04A310M-S | 151166 | RTA1-U | 21.00 | 26.00 | 151198 |
| EE | | | EM3313T | 159334 | 12.5 | 480 | 3 | 215T | 1.15 | 85.5 | CL01A310T-U | 151153 | RTA1-P | 10.00 | 16.00 | 151194 |
| EE | | | M3313T-5 | 158163 | 10.4 | 575 | 3 | 215T | 1.15 | 81 | CL00A310T-Y | 151149 | RTA1-P | 10.00 | 16.00 | 151194 |

(continued)

Replacement Blower Motors and Starters (cont'd) - See replacement information, top of page 27.

| Type | HP | AL | Premium Efficient Motor | | | | | Frame Size | Service Factor | Power Factor | Starter (AN10) | | Starter Overload | | | |
|------|----|----|-------------------------|--------|------|------|----|------------|----------------|--------------|----------------|--------|------------------|-------|-------|--------|
| | | | Mfr's #. | P/N | fla | volt | ph | | | | Mfr # | P/N | Mfr # | min | max | P/N |
| EE | 15 | 43 | EFM2513T-8 | 142440 | 40.7 | 208 | 3 | 254T | 1.15 | 84 | CL06A311M-L | 151173 | RTA2-E | 30.00 | 43.00 | 151206 |
| EE | | | EFM2513T | 142441 | 35.4 | 240 | 3 | 254T | 1.15 | 84 | CL06A311M-S | 151172 | RTA2-E | 30.00 | 43.00 | 151206 |
| EE | | | EFM2513T | 142441 | 17.7 | 480 | 3 | 254T | 1.15 | 84 | CL25A310T-U | 151162 | RTA1-T | 17.50 | 22.00 | 151197 |
| EE | | | EFM2513T-5 | 142289 | 16.0 | 575 | 3 | 254T | 1.15 | 84 | CL02A310T-Y | 151158 | RTA1-P | 10.00 | 16.00 | 151194 |
| EE | 20 | 44 | E452-F2 | 159187 | 57.0 | 208 | 3 | S256T | 1.15 | 84 | CL07A311M-L | 151176 | RTA2-H | 54.00 | 65.00 | 151203 |
| EE | | | EFM2515T | 142299 | 47.0 | 240 | 3 | 256T | 1.15 | 84 | CL06A311M-S | 151172 | RTA2-G | 42.00 | 55.00 | 151202 |
| EE | | | EFM2515T | 142299 | 23.5 | 480 | 3 | 256T | 1.15 | 84 | CL04A310M-U | 151167 | RTA1-U | 21.00 | 26.00 | 151198 |
| EE | | | EFM2515T-5 | 142300 | 19.2 | 575 | 3 | 256T | 1.15 | 84 | CL25A310T-Y | 151163 | RTA1-T | 17.50 | 22.00 | 151197 |

2-Speed Blower Motors

| Motor Data | | | Maximum Mtr Amp Draw | | Motor P/N (Volts - Phase) | | | IEC Starter | |
|------------|-------------|-------|----------------------|----------|---------------------------|--------|--------|--------------------|------------|
| Rated HP | Century P/N | Frame | 1800 RPM | 1200 RPM | 208-3 | 240-3 | 480-3 | Manufacturer's P/N | Reznor P/N |
| 1/44 | M124 | M145T | 3.8 | 2.4 | 105641 | | | AEG2SP-S17-C-I-H-O | 114971 |
| 1/44 | M124 | M145T | 3.4 | 2.2 | | 105641 | | AEG2SP-S17-C-I-H-O | 114971 |
| 1/44 | M109 | M145T | 1.7 | 1.1 | | | 105642 | AEG2SP-S17-E-G-F-O | 114972 |
| 1.5/68 | M125 | N145T | 5.4 | 3.1 | 105643 | | | AEG2SP-S17-C-K-I-O | 114973 |
| 1.5/68 | M125 | N145T | 4.9 | 2.8 | | 105643 | | AEG2SP-S17-C-K-I-O | 114973 |
| 1.5/68 | M104 | N145T | 2.4 | 1.4 | | | 105644 | AEG2SP-S17-E-H-G-O | 114974 |
| 2/88 | M220 | S182T | 6.5 | 4.2 | 105645 | | | AEG2SP-S17-C-L-K-O | 114975 |
| 2/88 | M220 | S182T | 5.9 | 3.8 | | 105645 | | AEG2SP-S17-C-L-I-O | 114976 |
| 2/88 | M207 | S182T | 3.4 | 2.1 | | | 105646 | AEG2SP-S17-E-I-H-O | 114977 |
| 3/1.3 | M221 | S184T | 9.3 | 5.3 | 105647 | | | AEG2SP-S17-C-M-K-O | 114978 |
| 3/1.3 | M221 | S184T | 8.4 | 4.8 | | 105647 | | AEG2SP-S17-C-M-K-O | 114978 |
| 3/1.3 | M208 | S184T | 4.6 | 2.6 | | | 105648 | AEG2SP-S17-E-K-H-O | 114979 |
| 5/2.2 | M320 | S215T | 17.2 | 11.3 | 105870 | | | AEG2SP-S17-C-O-M-O | 114980 |
| 5/2.2 | M320 | S215T | 15.5 | 10.2 | | 105870 | | AEG2SP-S17-C-O-M-O | 114980 |
| 5/2.2 | M305 | S215T | 7.1 | 4.8 | | | 105871 | AEG2SP-S17-E-L-K-O | 114981 |
| 7.5/3.3 | M317 | Y215T | 21.6 | 13.6 | 105872 | | | AEG2SP-S17-C-O-N-O | 114982 |
| 7.5/3.3 | M317 | Y215T | 19.5 | 12.3 | | 105872 | | AEG2SP-S17-C-O-N-O | 114982 |
| 7.5/3.3 | M315 | D215T | 10.0 | 6.0 | | | 105873 | AEG2SP-S17-E-M-L-O | 114983 |
| 10/4.4 | M421 | S256T | 31.0 | 19.4 | 105874 | | | AEG2SP-S17-C-P-O-O | 114984 |
| 10/4.4 | M421 | S256T | 28.0 | 17.5 | | 105874 | | AEG2SP-S17-C-P-O-O | 114984 |
| 10/4.4 | M413 | S256T | 13.5 | 7.5 | | | 105875 | AEG2SP-S17-E-N-L-O | 114985 |

Replacement Holding Coils for IEC Starters

| Voltage | GE # | Reznor P/N | For Use with Starters Beginning with GE# |
|---------|--------|------------|--|
| 24 | LB1A-C | 151280 | CL00; CL01; CL02; CL25 |
| 120 | LB1A-J | 151281 | CL00; CL01; CL02; CL25 |
| 208 | LB1A-L | 151282 | CL00; CL01; CL02; CL25 |
| 230 | LB1A-S | 151283 | CL00; CL01; CL02; CL25 |
| 460 | LB1A-U | 151284 | CL00; CL01; CL02; CL25 |
| 575 | LB1A-Y | 151285 | CL00; CL01; CL02; CL25 |
| 24 | LB3A-C | 151286 | CL04; CL45 |
| 120 | LB3A-J | 151287 | CL04; CL45 |
| 208 | LB3A-L | 151288 | CL04; CL45 |
| 230 | LB3A-S | 151289 | CL04; CL45 |
| 460 | LB3A-U | 151290 | CL04; CL45 |
| 575 | LB3A-Y | 151291 | CL04; CL45 |
| 208 | LB4A-L | 151292 | CL06; CL07; CL08; CL09 |
| 230 | LB4A-S | 151293 | CL06; CL07; CL08; CL09 |
| 460 | LB4A-U | 151294 | CL06; CL07; CL08; CL09 |

Replacement Parts for NEMA Starters

IEC Two-Speed Starter

Effective 9/91, IEC two-speed starters are used. Prior to 9/91, units with 2-speed motors were equipped with NEMA starters. If replacing a NEMA starter with an IEC starter, replace the complete starter. See terminal cross reference chart (right). Original box and cover may be used for replacement IEC starter.

| | NEMA | IEC |
|------------------------------|------|-------|
| Starter Wire Terminals | | |
| High Speed | D | 2T1 |
| | F | 6T3 |
| | E | 4T2 |
| Low Speed | A | 2T1 |
| | C | 6T3 |
| | B | 4T2 |
| Relay/Starter Coil Terminals | | |
| | 9 | 96 95 |

Drive Options and Components

Drive components include the belt, motor pulley, blower pulley, and bushings, if required. The table at the right identifies the RPM range of the drive option. Drive options are listed by AM No.

(NOTE: Components listed are for currently used motors. If shaft size is different than listed or if there are no parts listed, check the replacement parts tag and/or contact the distributor or factory service for replacement parts.)

| OPT | RPM Range | OPT | RPM Range | OPT | RPM Range | OPT | RPM Range |
|-----|-----------|------|-----------|------|-----------|------|-----------|
| AM2 | 451-500 | AM8 | 751-800 | AM14 | 1051-1100 | AM19 | 1301-1350 |
| AM3 | 501-550 | AM9 | 801-850 | AM15 | 1101-1150 | AM20 | 1351-1400 |
| AM4 | 551-600 | AM10 | 851-900 | AM16 | 1151-1200 | AM21 | 1401-1450 |
| AM5 | 601-650 | AM11 | 901-950 | AM17 | 1201-1250 | AM22 | 1451-1500 |
| AM6 | 651-700 | AM12 | 951-1000 | AM18 | 1251-1300 | AM23 | 1501-1550 |
| AM7 | 701-750 | AM13 | 1001-1050 | | | | |

Belt Tension - Check belt tension. Proper belt tension is important to the long life of the belt and motor. A loose belt will cause wear and slippage. Too much tension will cause excessive motor and blower bearing wear. If adjustment is required, adjust belt tension with the adjusting screw on the motor base until the belt can be depressed 1/2" to 3/4". Tighten the lock nut on the adjusting screw. Be sure the belt is aligned in the pulleys.

Drives - Model Series (H)(C)RGB, (H)(C)RPB, and Blower Cabinet Model RBA

Drive Components for Open Motors

| Unit Sizes | Motor | | Voltage Option | Drive AM Nos. (See Key chart above) | | | Motor Pulley | | | Blower Pulley | | | Belt | | *Shaft Centerline |
|---------------------------------|-------------------------------|--|---|--|--------|--------|--------------|--------------------|--------------------|---------------|--------|-------|-------|-------|-------------------|
| | HP | Opt | | P/N | Mfr # | Bore | P/N | Mfr # | Bore | P/N | Qty | Mfr # | | | |
| 75 100 125 | 1/4 | AL2 | AK1 (115/1); AK2 (208/1); AK3 (230/1); AK5 (208/3); AK6 (230/3); AK7 (460/3) | AM 1, 2, 3, 4 | 4074 | 1VL34 | 1/2 | 19110 | AK84 | 3/4 | 105493 | 1 | A39 | 11.82 | |
| | | | | AM 5, 6, 7, 8, 9 | 13491 | 1VL40 | 1/2 | 111607 | AK74 | 3/4 | 16018 | 1 | A38 | 12.06 | |
| | AM 2, 3, 4 | 4074 | | 1VP34 | 1/2 | 19110 | AK84 | 3/4 | 105493 | 1 | A39 | 11.56 | | | |
| | AM 5, 6, 7 | 13491 | | 1VL40 | 1/2 | 111607 | AK74 | 3/4 | 16018 | 1 | A38 | 11.82 | | | |
| | AM 9, 10, 11, 12, 13, 14 | 4074 | | 1VP34 | 1/2 | 105477 | AK46 | 3/4 | 101291 | 1 | A33 | 11.56 | | | |
| | AM 5, 6, 7, 8, 9 | 13580 | | 1VL34 | 5/8 | 19108 | AK64 | 3/4 | 105490 | 1 | A36 | 12.57 | | | |
| | 1/3 | AL3 | AK1 (115/1); AK2 (208/1); AK3 (230/1); AK5 (208/3); AK6 (230/3); AK7 (460/3); AK8 (575/3) | AM 9, 10, 11 | 105476 | 1VL44 | 5/8 | 105484 | AK71H ^A | 3/4 | 105493 | 1 | A39 | 12.32 | |
| | | | | AM 12, 13, 14, 15, 16, 17, 18 | 13580 | 1VL34 | 5/8 | 105478 | AK41 | 3/4 | 101291 | 1 | A33 | 12.46 | |
| | AM 7, 8, 9, 10 | 7962 | | 1VL40 | 5/8 | 19108 | AK64 | 3/4 | 16018 | 1 | A38 | 12.70 | | | |
| | AM 11, 12, 13, 14, 15 | 13580 | | 1VL34 | 5/8 | 105477 | AK46 | 3/4 | 105488 | 1 | A34 | 12.56 | | | |
| | AM 16, 17, 18, 19, 20, 21, 22 | 7962 | | 1VL40 | 5/8 | 105478 | AK41 | 3/4 | 105488 | 1 | A34 | 12.58 | | | |
| | AM 9, 10, 11, 12, 13, 14, 15 | 13580 | | 1VL34 | 5/8 | 105477 | AK46 | 3/4 | 105488 | 1 | A34 | 12.56 | | | |
| | 1/2 | AL4 | AK1 (115/1); AK2 (208/1); AK3 (230/1); AK5 (208/3); AK6 (230/3); AK7 (460/3); AK8 (575/3) | AM 16, 17, 18, 19, 20, 21, 22 | 7962 | 1VL40 | 5/8 | 105478 | AK41 | 3/4 | 105488 | 1 | A34 | 12.50 | |
| | | | | AM 11, 12, 13 | 105476 | 1VL44 | 5/8 | 19108 | AK64 | 3/4 | 16018 | 1 | A38 | 12.40 | |
| | AM 14, 15, 16, 17 | 7962 | | 1VL40 | 5/8 | 105479 | AK49 | 3/4 | 105489 | 1 | A35 | 12.43 | | | |
| | AM 18, 19, 20, 21, 22 | 7962 | | 1VL40 | 5/8 | 105478 | AK41 | 3/4 | 105488 | 1 | A34 | 12.58 | | | |
| | AM 13, 14, 15, 16, 17 | 7962 | | 1VL40 | 5/8 | 105479 | AK49 | 3/4 | 105489 | 1 | A35 | 12.43 | | | |
| | AM 18, 19, 20, 21, 22 | 7962 | | 1VL40 | 5/8 | 105478 | AK41 | 3/4 | 105488 | 1 | A34 | 12.58 | | | |
| | 3/4 | AL5 | AK1 (115/1); AK2 (208/1); AK3 (230/1); AK5 (208/3); AK6 (230/3); AK7 (460/3); AK8 (575/3) | AM 13, 14, 15, 16, 17 | 13013 | 1VM50 | 5/8 | 111606 | BK140 | 3/4 | 92221 | 1 | B52 | 12.46 | |
| | | | | AM 18, 19, 20, 21, 22, 23, 24 | 13013 | 1VM50 | 5/8 | 111607 | AK74 | 3/4 | 105493 | 1 | A39 | 12.27 | |
| AM 13, 14, 15, 16, 17 | 37451 | 1VM50 | | 7/8 | 111606 | BK140 | 3/4 | 92221 | 1 | B52 | 12.46 | | | | |
| AM 18, 19, 20, 21, 22, 23, 24 | 37451 | 1VM50 | | 7/8 | 111607 | AK74 | 3/4 | 105493 | 1 | A39 | 12.27 | | | | |
| AM 13, 14, 15, 16, 17 | 13013 | 1VM50 | | 5/8 | 111606 | BK140 | 3/4 | 92221 | 1 | B52 | 12.46 | | | | |
| AM 18, 19, 20, 21, 22, 23, 24 | 37451 | 1VM50 | | 7/8 | 111607 | AK74 | 3/4 | 105493 | 1 | A39 | 12.27 | | | | |
| 1 | AL6 | AK1 (115/1); AK2 (208/1); AK3 (230/1); AK5 (208/3); AK6 (230/3); AK7 (460/3); AK8 (575/3) | AM 18, 19, 20, 21, 22 | 7962 | 1VL40 | 5/8 | 105478 | AK41 | 3/4 | 105488 | 1 | A34 | 12.50 | | |
| | | | AM 11, 12, 13 | 105476 | 1VL44 | 5/8 | 19108 | AK64 | 3/4 | 16018 | 1 | A38 | 12.40 | | |
| AM 14, 15, 16, 17 | 7962 | | 1VL40 | 5/8 | 105479 | AK49 | 3/4 | 105489 | 1 | A35 | 12.43 | | | | |
| AM 18, 19, 20, 21, 22 | 7962 | | 1VL40 | 5/8 | 105478 | AK41 | 3/4 | 105488 | 1 | A34 | 12.58 | | | | |
| AM 13, 14, 15, 16, 17 | 7962 | | 1VL40 | 5/8 | 105479 | AK49 | 3/4 | 105489 | 1 | A35 | 12.43 | | | | |
| AM 18, 19, 20, 21, 22 | 7962 | | 1VL40 | 5/8 | 105478 | AK41 | 3/4 | 105488 | 1 | A34 | 12.58 | | | | |
| 1-1/2 | AL7 | AK1 (115/1); AK2 (208/1); AK3 (230/1); AK5 (208/3); AK6 (230/3); AK7 (460/3) | AM 13, 14, 15, 16, 17 | 106748 | 1VL40 | 7/8 | 105479 | AK49 | 3/4 | 105489 | 1 | A35 | 12.43 | | |
| | | | AM 18, 19, 20, 21, 22 | 106748 | 1VL40 | 7/8 | 105478 | AK41 | 3/4 | 105488 | 1 | A34 | 12.58 | | |
| AM 13, 14, 15, 16, 17 | 13013 | | 1VM50 | 5/8 | 111606 | BK140 | 3/4 | 92221 | 1 | B52 | 12.46 | | | | |
| AM 18, 19, 20, 21, 22, 23, 24 | 13013 | | 1VM50 | 5/8 | 111607 | AK74 | 3/4 | 105493 | 1 | A39 | 12.27 | | | | |
| AM 13, 14, 15, 16, 17 | 37451 | | 1VM50 | 7/8 | 111606 | BK140 | 3/4 | 92221 | 1 | B52 | 12.46 | | | | |
| AM 18, 19, 20, 21, 22, 23, 24 | 37451 | | 1VM50 | 7/8 | 111607 | AK74 | 3/4 | 105493 | 1 | A39 | 12.27 | | | | |
| 150 175 200 225 RBA | 1/4** | AL2 | AK1 (115/1); AK2 (208/1); AK3 (230/1); AK5 (208/3); AK6 (230/3); AK7 (460/3) | AM 2, 3, 4 | 4074 | 1VL34 | 1/2 | 19111 | AK84 | 1 | 50470 | 1 | A43 | 13.86 | |
| | | | | AM 2, 3, 4 | 4074 | 1VL34 | 1/2 | 19111 | AK84 | 1 | 50470 | 1 | A43 | 13.86 | |
| | AM 5, 6, 7 | 4074 | | 1VL34 | 1/2 | 18797 | AK64 | 1 | 16019 | 1 | A40 | 14.08 | | | |
| | AM 2, 3, 4 | 13580 | | 1VL34 | 5/8 | 19111 | AK84 | 1 | 50470 | 1 | A43 | 14.00 | | | |
| | AM 5, 6, 7, 8 | 13580 | | 1VL34 | 5/8 | 18797 | AK64 | 1 | 16019 | 1 | A40 | 14.08 | | | |
| | AM 9, 10, 11 | 13580 | | 1VL34 | 5/8 | 105481 | AK46 | 1 | 105491 | 1 | A37 | 14.06 | | | |
| | 1/3 | AL3 | AK1 (115/1); AK2 (208/1); AK3 (230/1); AK5 (208/3); AK6 (230/3); AK7 (460/3); AK8 (575/3) | AM 5, 6, 7, 8 | 13580 | 1VL34 | 5/8 | 18797 | AK64 | 1 | 16019 | 1 | A40 | 14.58 | |
| | | | | AM 9, 10, 11, 12, 13, 14, 15 | 13580 | 1VL34 | 5/8 | 105481 | AK46 | 1 | 105491 | 1 | A37 | 14.56 | |
| | AM 7, 8 | 13580 | | 1VL34 | 5/8 | 18797 | AK64 | 1 | 16019 | 1 | A40 | 14.08 | | | |
| | AM 9, 10, 11, 12, 13, 14 | 13580 | | 1VL34 | 5/8 | 105481 | AK46 | 1 | 105491 | 1 | A37 | 14.06 | | | |
| | AM 15, 16, 17 | 7962 | | 1VL40 | 5/8 | 105481 | AK46 | 1 | 16018 | 1 | A38 | 14.18 | | | |
| | AM 9, 10, 11 | 105476 | | 1VL44 | 5/8 | 19108 | AK64 | 1 | 101412 | 1 | A42 | 13.83 | | | |
| | 1/2 | AL4 | AK1 (115/1); AK2 (208/1); AK3 (230/1); AK5 (208/3); AK6 (230/3); AK7 (460/3); AK8 (575/3) | AM 12, 13, 14, 15, 16 | 105476 | 1VL44 | 5/8 | 105484 | AK71H ^C | 1 | 16019 | 1 | A40 | 14.07 | |
| | | | | AM 17, 18 | 7962 | 1VL40 | 5/8 | 105482 | AK56 | 1 | 16018 | 1 | A38 | 14.18 | |
| | AM 9, 10, 11 | 7962 | | 1VL40 | 5/8 | 18797 | AK64 | 1 | 50500 | 1 | A41 | 17.21 | | | |
| | AM 12, 13, 14, 15, 16, 17 | 105476 | | 1VL44 | 5/8 | 105482 | AK56 | 1 | 16019 | 1 | A40 | 14.07 | | | |
| | AM 18, 19, 20 | 7962 | | 1VL40 | 5/8 | 105481 | AK46 | 1 | 16018 | 1 | A38 | 14.18 | | | |
| | AM 9, 10, 11 | 106748 | | 1VL40 | 7/8 | 18797 | AK64 | 1 | 50500 | 1 | A41 | 17.21 | | | |
| | 3/4 | AL5 | AK1 (115/1); AK2 (208/1); AK3 (230/1); AK5 (208/3); AK6 (230/3); AK7 (460/3); AK8 (575/3) | AM 12, 13, 14, 15, 16, 17 | 106758 | 1VL44 | 7/8 | 105482 | AK56 | 1 | 16019 | 1 | A40 | 14.07 | |
| | | | | AM 18, 19, 20 | 106748 | 1VL40 | 7/8 | 105481 | AK46 | 1 | 16018 | 1 | A38 | 14.18 | |
| AM 13, 14, 15, 16, 17 | 13013 | 1VM50 | | 5/8 | 111606 | BK140 | 1 | 50474 | 1 | A47 | 14.20 | | | | |
| AM 18, 19, 20, 21 | 13013 | 1VM50 | | 5/8 | 111607 | AK74 | 1 | 52966 | 1 | A44 | 14.00 | | | | |
| AM 13, 14, 15, 16, 17 | 106748 | 1VL40 | | 7/8 | 111609 | AK99 | 1 | 50474 | 1 | A47 | 14.20 | | | | |
| AM 18, 19, 20, 21 | 106748 | 1VL40 | | 7/8 | 19111 | AK84 | 1 | 52966 | 1 | A44 | 14.00 | | | | |
| 1 | AL6 | AK5 (208/3); AK6 (230/3); AK7 (460/3); AK8 (575/3) | AM 16, 17, 18, 19, 20, 21, 22 | 87500 | 2VP36 | 7/8 | 91633 | 2TB86 ^P | 1 | 16139 | 1 | B45 | 14.31 | | |
| | | | AM 20, 21, 22, 23 | 8973 | 2VP50 | 7/8 | 7955 | 2BK100 | 1 | 50477 | 1 | A49 | 14.07 | | |
| AM 2, 3, 4 | 13580 | | 1VL34 | 5/8 | 19111 | AK84 | 1 | 105493 | 1 | A39 | 11.82 | | | | |
| AM 5, 6, 7, 8 | 13580 | | 1VL34 | 5/8 | 18797 | AK64 | 1 | 105490 | 1 | A36 | 12.06 | | | | |
| AM 5, 6, 7 | 13580 | | 1VL34 | 5/8 | 18797 | AK64 | 1 | 105490 | 1 | A36 | 12.06 | | | | |
| AM 8, 9, 10, 11 | 13580 | | 1VL34 | 5/8 | 105482 | AK56 | 1 | 105489 | 1 | A35 | 12.24 | | | | |
| 1-1/2 | AL7 | AAK1 (115/1); AK2 (208/1); AK3 (230/1); AK5 (208/3); AK6 (230/3); AK7 (460/3); AK8 (575/3) | AM 7, 8, 9, 10, 11 | 13580 | 1VL34 | 5/8 | 105482 | AK56 | 1 | 105489 | 1 | A35 | 12.24 | | |
| | | | AM 12, 13, 14, 15, 16 | 13580 | 1VL34 | 5/8 | 105481 | AK46 | 1 | 101291 | 1 | A33 | 12.06 | | |
| AM 9, 10, 11 | 7962 | | 1VL40 | 5/8 | 18797 | AK64 | 1 | 105491 | 1 | A37 | 12.2 | | | | |
| AM 12, 13, 14, 15, 16 | 105476 | | 1VL44 | 5/8 | 105482 | AK56 | 1 | 105491 | 1 | A36 | 12.06 | | | | |
| AM 17, 18, 19, 20, 21, 22, 23 | 105476 | | 1VL44 | 5/8 | 105481 | AK46 | 1 | 105489 | 1 | A35 | 12.37 | | | | |
| AM 9, 10, 11 | 7962 | | 1VL40 | 5/8 | 18797 | AK64 | 1 | 105491 | 1 | A37 | 12.20 | | | | |
| 2 | AL8 | AK1 (115/1); AK2 (208/1); AK3 (230/1); AK8 (575/3) | AM 12, 13, 14, 15, 16 | 105476 | 1VL44 | 5/8 | 105482 | AK56 | 1 | 105490 | 1 | A36 | 12.06 | | |
| | | | AM 17, 18, 19, 20, 21, 22, 23 | 105476 | 1VL44 | 5/8 | 105481 | AK46 | 1 | 105489 | 1 | A35 | 12.37 | | |
| AM 9, 10, 11 | 106748 | | 1VL40 | 7/8 | 18797 | AK64 | 1 | 105491 | 1 | A37 | 12.20 | | | | |
| AM 12, 13, 14, 15, 16 | 106758 | | 1VL44 | 7/8 | 105482 | AK56 | 1 | 105490 | 1 | A36 | 12.06 | | | | |
| AM 17, 18, 19, 20, 21, 22, 23 | 103758 | | 1VL44 | 7/8 | 105481 | AK46 | 1 | 105489 | 1 | A35 | 12.37 | | | | |
| AK5 (208/3); AK6 (230/3); | | | | | | | | | | | | | | | |

Drives - Model Series (H)(C)RGB, (H)(C)RPB, and Blower Cabinet Model RBA (cont'd)

Drive Components for Open Motors (cont'd)

| Unit Sizes | Motor | | Voltage Option | Drive AM Nos. | | | Motor Pulley | | | Blower Pulley | | | Belt | | | *Shaft Centerline |
|----------------------|-------|--|--|-------------------------------|--------|-------|--------------|--------|--------------------|---------------|--------|------|-------|-------|-------|-------------------|
| | HP | Opt | | (See Key, chart on page 31.) | | | P/N | Mfr # | Bore | P/N | Mfr # | Bore | P/N | Qty | Mfr # | |
| 250 300 cont'd | 3 | AL9 | AK2 (208/1); AK3 (230/1) | AM 9, 10, 11, 12 | 7962 | IVL40 | 5/8 | 202652 | AK124 | 1 | 50475 | 1 | A49 | 12.14 | | |
| | | | | AM 13, 14, 15, 16, 17 | 7962 | IVL40 | 5/8 | 202653 | AK94 | 1 | 52966 | 1 | A44 | 12.14 | | |
| | | | | AM 18, 19, 20, 21, 22 | 7962 | IVL40 | 5/8 | 105483 | AK89 | 1 | 16019 | 1 | A40 | 12.02 | | |
| | 5 | AL10 | AK5 (208/3); AK6 (230/3); AK7 (460/3); AK8 (575/3) | AM 13, 14, 15, 16, 17 | 106748 | 1VL40 | 7/8 | 111609 | AK99 | 1 | 40570 | 1 | A43 | 12.14 | | |
| | | | | AM 18, 19, 20, 21, 22 | 37451 | 1VM50 | 7/8 | 16153 | AK104 | 1 | 50472 | 1 | A45 | 12.02 | | |
| | | | | AM 15, 16, 17, 18, 19 | 87500 | 2VP36 | 7/8 | 91633 | 2TB86 ^p | 1 | 111738 | 1 | B41 | 12.27 | | |
| 350 400 | 3/4 | AL5 | AK1 (115/1); AK2 (208/1); AK3 (230/1); AK5 (208/3); AK6 (230/3); AK7 (460/3) | AM 2, 3, 4 | 13580 | 1VL34 | 5/8 | 19111 | AK84 | 1 | 52966 | 1 | A44 | 14.37 | | |
| | | | | AM 5, 6 | 7962 | 1VL40 | 5/8 | 19111 | AK84 | 1 | 52966 | 1 | A44 | 14.01 | | |
| | | | | AM 3, 4, 5, 6 | 13580 | 1VL34 | 5/8 | 105484 | AK71H ^c | 1 | 50500 | 1 | A41 | 13.98 | | |
| | 1 | AL6 | AK1 (115/1); AK2 (208/1); AK3 (230/1); AK5 (208/3); AK6 (230/3); AK7 (460/3) | AM 7, 8, 9, 10, 11 | 13580 | 1VL34 | 5/8 | 105482 | AK56 | 1 | 105493 | 1 | A39 | 14.25 | | |
| | | | | AM 6, 7, 8, 9 | 7962 | 1VL40 | 5/8 | 105484 | AK71H ^c | 1 | 101412 | 1 | A42 | 14.12 | | |
| | | | | AM 10, 11, 12, 13 | 105476 | 1VL44 | 5/8 | 18797 | AK64 | 1 | 101412 | 1 | A42 | 13.91 | | |
| | 1-1/2 | AL7 | AK1 (115/1); AK2 (208/1); AK3 (230/1); AK5 (208/3); AK6 (230/3); AK7 (460/3) | AM 14, 15, 16, 17, 18 | 7962 | 1VL40 | 5/8 | 105481 | AK46 | 1 | 16048 | 1 | A38 | 14.18 | | |
| | | | | AM 9, 10, 11 | 7962 | 1VL40 | 5/8 | 18797 | AK64 | 1 | 50500 | 1 | A41 | 14.21 | | |
| | | | | AM 12, 13, 14, 15, 16 | 105476 | 1VL44 | 5/8 | 105482 | AK56 | 1 | 16019 | 1 | A40 | 14.07 | | |
| | 2 | AL8 | AK5 (208/3); AK6 (230/3); AK7 (460/3) | AM 17, 18, 19, 20 | 7962 | 1VL40 | 5/8 | 105481 | AK46 | 1 | 16018 | 1 | A38 | 14.18 | | |
| | | | | AM 9, 10, 11 | 106748 | 1VL40 | 7/8 | 18797 | AK64 | 1 | 50500 | 1 | A41 | 14.21 | | |
| | | | | AM 12, 13, 14, 15, 16 | 106758 | 1VL44 | 7/8 | 105482 | AK56 | 1 | 16019 | 1 | A40 | 14.07 | | |
| | 3 | AL9 | AK2 (208/1); AK3 (230/1) | AM 17, 18, 19, 20 | 106758 | 1VL44 | 7/8 | 105481 | AK46 | 1 | 16018 | 1 | A38 | 14.18 | | |
| | | | | AM 9, 10, 11, 12 | 7962 | 1VL40 | 5/8 | 202652 | AK124 | 1 | 50513 | 1 | A52 | 12.14 | | |
| | | | | AM 13, 14, 15, 16, 17, 18, 19 | 7962 | 1VL40 | 5/8 | 202653 | AK94 | 1 | 50474 | 1 | A47 | 12.14 | | |
| | 5 | AL10 | AK5 (208/3); AK6 (230/3); AK7 (460/3); AK8 (575/3) | AM 20, 21, 22, 23 | 8973 | 2VP50 | 7/8 | 7955 | 2AK104 | 1 | 50472 | 1 | A45 | 12.02 | | |
| | | | | AM 9, 10, 11, 12, 13 | 106758 | 1VL44 | 7/8 | 50520 | AK99 | 1 | 16131 | 1 | A54 | 14.22 | | |
| | | | | AM 14, 15, 16, 17, 18, 19 | 106758 | 1VL44 | 7/8 | 16153 | AK104 | 1 | 65403 | 1 | A48 | 13.97 | | |
| 5 | AL10 | AK5 (208/3); AK6 (230/3); AK7 (460/3); AK8 (575/3) | AM 12, 13, 14, 15, 16, 17 | 6599 | 2VP42 | 7/8 | 7955 | 2AK104 | 1 | 65403 | 1 | A48 | 14.11 | | | |
| | | | AM 18, 19, 20, 21, 22 | 8973 | 2VP50 | 7/8 | 7955 | 2AK104 | 1 | 50472 | 1 | A49 | 14.06 | | | |

*Distance between blower shaft and motor centerline with belts tensioned properly. **Not for Model 200 or 225.

^aUse a 3/4 "H" blower pulley bushing, P/N 105487; ^cUse a 1" blower pulley bushing, P/N 92203; ^pUse a 1" Q1 motor pulley bushing, P/N 6605.

Drive Components for Totally Enclosed (TEFC) Motors (See drive information, top of page 31.)

| Unit Sizes | Motor | | Voltage Option | Drive AM Nos. | | | Motor Pulley | | | Blower Pulley | | | Belt | | | *Shaft Centerline |
|---------------------------------|-------|---|---|-------------------------------|--------|-------|--------------|--------|--------------------|---------------|--------|------|-------|-------|-------|-------------------|
| | HP | Opt | | (See Key, chart on page 31.) | | | P/N | Mfr # | Bore | P/N | Mfr # | Bore | P/N | Qty | Mfr # | |
| 75 100 125 | 1/4 | AL19 | AK1 (115/1); AK2 (208/1); AK3 (230/1); AK5 (208/3); AK6 (230/3); AK7 (460/3) | AM 1, 2, 3, 4 | 13580 | 1VL34 | 5/8 | 19110 | AK84 | 3/4 | 16019 | 1 | A40 | 12.32 | | |
| | | | | AM 5, 6, 7, 8, 9 | 7962 | 1VL40 | 5/8 | 111607 | AK74 | 3/4 | 105493 | 1 | A39 | 12.56 | | |
| | | | | AM 2, 3, 4 | 4074 | 1VP34 | 1/2 | 19110 | AK84 | 3/4 | 105493 | 1 | A39 | 11.82 | | |
| | 1/3 | AL20 | AK1 (115/1); AK2 (208/1); AK3 (230/1); AK5 (208/3); AK6 (230/3); AK7 (460/3) | AM 5, 6, 7, 8 | 13491 | 1VL40 | 1/2 | 111607 | AK74 | 3/4 | 16018 | 1 | A38 | 11.56 | | |
| | | | | AM 9, 10, 11, 12, 13, 14 | 4074 | 1VP34 | 1/2 | 105477 | AK46 | 3/4 | 101291 | 1 | A33 | 11.56 | | |
| | | | | AM 5, 6, 7, 8 | 13580 | 1VL34 | 5/8 | 19108 | AK64 | 3/4 | 105490 | 1 | A36 | 12.57 | | |
| | 1/2 | AL21 | AK1 (115/1); AK2 (208/1); AK3 (230/1); AK5 (208/3); AK6 (230/3); AK7 (460/3); AK8 (575/3) | AM 9, 10, 11 | 105476 | 1VL44 | 5/8 | 105484 | AK71H ^a | 3/4 | 105493 | 1 | A39 | 12.32 | | |
| | | | | AM 12, 13, 14, 15, 16, 17, 18 | 13580 | 1VL34 | 5/8 | 105478 | AK41 | 3/4 | 101291 | 1 | A33 | 12.46 | | |
| | | | | AM 7, 8, 9, 10 | 7962 | 1VL40 | 5/8 | 19108 | AK64 | 3/4 | 16018 | 1 | A38 | 12.7 | | |
| | 3/4 | AL22 | AK1 (115/1); AK2 (208/1); AK3 (230/1); AK5 (208/3); AK6 (230/3); AK7 (460/3); AK8 (575/3) | AM 11, 12, 13, 14, 15 | 13580 | 1VL34 | 5/8 | 105477 | AK46 | 3/4 | 105488 | 1 | A34 | 12.56 | | |
| | | | | AM 16, 17, 18, 19, 20, 21, 22 | 7962 | 1VL40 | 5/8 | 105478 | AK41 | 3/4 | 105488 | 1 | A34 | 12.58 | | |
| | | | | AM 9, 10, 11, 12, 13, 14, 15 | 13580 | 1VL34 | 5/8 | 105477 | AK46 | 3/4 | 105488 | 1 | A34 | 12.56 | | |
| | 1 | AL23 | AK1 (115/1); AK2 (208/1); AK3 (230/1); AK5 (208/3); AK6 (230/3); AK7 (460/3) | AM 16, 17, 18, 19, 20, 21, 22 | 7962 | 1VL40 | 5/8 | 105478 | AK41 | 3/4 | 105488 | 1 | A34 | 12.50 | | |
| | | | | AM 11, 12, 13 | 105476 | 1VL44 | 5/8 | 19108 | AK64 | 3/4 | 16018 | 1 | A38 | 12.40 | | |
| | | | | AM 14, 15, 16, 17 | 7962 | 1VL40 | 5/8 | 105479 | AK49 | 3/4 | 105489 | 1 | A35 | 12.43 | | |
| | 1-1/2 | AL24 | AK1 (115/1); AK2 (208/1); AK3 (230/1); AK5 (208/3); AK6 (230/3); AK7 (460/3) | AM 18, 19, 20, 21, 22 | 7962 | 1VL40 | 5/8 | 105478 | AK41 | 3/4 | 105488 | 1 | A34 | 12.58 | | |
| | | | | AM 11, 12, 13 | 106758 | 1VL44 | 7/8 | 19108 | AK64 | 3/4 | 16018 | 1 | A38 | 12.40 | | |
| | | | | AM 14, 15, 16, 17 | 106748 | 1VL40 | 7/8 | 105479 | AK49 | 3/4 | 105489 | 1 | A35 | 12.43 | | |
| 2 | AL25 | AK3 (230/1); AK5 (208/3); AK6 (230/3); AK7 (460/3); AK8 (575/3) | AM 18, 19, 20, 21, 22 | 106748 | 1VL40 | 7/8 | 105478 | AK41 | 3/4 | 105488 | 1 | A34 | 12.58 | | | |
| | | | AM 13, 14, 15, 16, 17 | 106748 | 1VL40 | 7/8 | 105479 | AK49 | 3/4 | 105489 | 1 | A35 | 12.43 | | | |
| | | | AM 18, 19, 20, 21, 22 | 106748 | 1VL40 | 7/8 | 105478 | AK41 | 3/4 | 105488 | 1 | A34 | 12.58 | | | |
| 3 | AL26 | AK5 (208/3); AK6 (230/3); AK7 (460/3); AK8 (575/3) | AM 13, 14, 15, 16, 17 | 37451 | 1VM50 | 7/8 | 111606 | BK140 | 3/4 | 92221 | 1 | B52 | 12.46 | | | |
| | | | AM 18, 19, 20, 21, 22, 23, 24 | 37451 | 1VM50 | 7/8 | 111607 | AK74 | 3/4 | 105493 | 1 | A39 | 12.27 | | | |
| | | | AM 2, 3, 4 | 13580 | 1VL34 | 5/8 | 19111 | AK84 | 1 | 52966 | 1 | A44 | 13.86 | | | |
| 150 175 200 225 RBA | 1/4** | AL19 | AK1 (115/1); AK2 (208/1); AK3 (230/1); AK5 (208/3); AK6 (230/3); AK7 (460/3) | AM 2, 3, 4 | 4074 | 1VL34 | 1/2 | 19111 | AK84 | 1 | 50470 | 1 | A43 | 13.86 | | |
| | | | | AM 5, 6, 7 | 4074 | 1VL34 | 1/2 | 18797 | AK64 | 1 | 16019 | 1 | A40 | 14.08 | | |
| | | | | AM 2, 3, 4 | 13580 | 1VL34 | 5/8 | 19111 | AK84 | 1 | 50470 | 1 | A43 | 14.00 | | |
| | 1/2 | AL21 | AK1 (115/1); AK2 (208/1); AK3 (230/1); AK5 (208/3); AK6 (230/3); AK7 (460/3); AK8 (575/3) | AM 5, 6, 7, 8 | 13580 | 1VL34 | 5/8 | 18797 | AK64 | 1 | 16019 | 1 | A40 | 14.08 | | |
| | | | | AM 9, 10, 11 | 13580 | 1VL34 | 5/8 | 105481 | AK46 | 1 | 105491 | 1 | A37 | 14.06 | | |
| | | | | AM 5, 6, 7, 8 | 13580 | 1VL34 | 5/8 | 18797 | AK64 | 1 | 16019 | 1 | A40 | 14.58 | | |
| | 3/4 | AL22 | AK1 (115/1); AK2 (208/1); AK3 (230/1); AK5 (208/3); AK6 (230/3); AK7 (460/3); AK8 (575/3) | AM 9, 10, 11, 12, 13, 14, 15 | 13580 | 1VL34 | 5/8 | 105481 | AK46 | 1 | 105488 | 1 | A34 | 14.56 | | |
| | | | | AM 7, 8 | 13580 | 1VL34 | 5/8 | 18797 | AK64 | 1 | 16019 | 1 | A40 | 14.08 | | |
| | | | | AM 9, 10, 11, 12, 13, 14 | 13580 | 1VL34 | 5/8 | 105481 | AK46 | 1 | 105491 | 1 | A34 | 14.06 | | |
| | 1 | AL23 | AK1 (115/1); AK2 (208/1); AK3 (230/1); AK5 (208/3); AK6 (230/3); AK7 (460/3) | AM 15, 16, 17 | 7962 | 1VL40 | 5/8 | 105481 | AK46 | 1 | 16018 | 1 | A38 | 14.18 | | |
| | | | | AM 9, 10, 11 | 105476 | 1VL44 | 5/8 | 105484 | AK71H ^a | 1 | 101412 | 1 | A42 | 13.83 | | |
| | | | | AM 12, 13, 14, 15, 16 | 105476 | 1VL44 | 5/8 | 105482 | AK56 | 1 | 16019 | 1 | A40 | 14.07 | | |
| | 1-1/2 | AL24 | AK1 (115/1); AK2 (208/1); AK3 (230/1); AK5 (208/3); AK6 (230/3); AK7 (460/3) | AM 17, 18 | 7962 | 1VL40 | 5/8 | 105481 | AK46 | 1 | 16018 | 1 | A38 | 14.18 | | |
| | | | | AM 9, 10, 11 | 106758 | 1VL44 | 7/8 | 105484 | AK71H ^a | 1 | 101412 | 1 | A42 | 13.83 | | |
| | | | | AM 12, 13, 14, 15, 16 | 106748 | 1VL40 | 7/8 | 105482 | AK56 | 1 | 16019 | 1 | A40 | 14.07 | | |
| | 2 | AL25 | AK3 (230/1); AK5 (208/3); AK6 (230/3); AK7 (460/3); AK8 (575/3) | AM 17, 18 | 106748 | 1VL40 | 7/8 | 105481 | AK46 | 1 | 16018 | 1 | A38 | 14.18 | | |
| | | | | AM 9, 10, 11 | 106748 | 1VL40 | 7/8 | 18797 | AK64 | 1 | 50500 | 1 | A41 | 14.21 | | |
| | | | | AM 12, 13, 14, 15, 16, 17 | 106758 | 1VL44 | 7/8 | 105482 | AK56 | 1 | 16019 | 1 | A40 | 14.07 | | |
| 3 | AL26 | AK5 (208/3); AK6 (230/3); AK7 (460/3); AK8 (575/3) | AM 18, 19, 20 | 106748 | 1VL40 | 7/8 | 105481 | AK46 | 1 | 16018 | 1 | A38 | 14.18 | | | |
| | | | AM 13, 14, 15, 16, 17 | 106748 | 1VL40 | 7/8 | 111609 | AK99 | 1 | 50474 | 1 | A47 | 14.20 | | | |
| | | | AM 18, 19, 20, 21 | 106748 | 1VL40 | 7/8 | 19111 | AK84 | 1 | 52966 | 1 | A44 | 14.00 | | | |

| Unit Sizes | Motor | | Voltage Option | Drive AM Nos. | | | Motor Pulley | | | Blower Pulley | | | Belt | | | *Shaft Centerline |
|-------------------------------|--------------------|--|---|--|-----------------------|--------|--------------------|--------------------|--------------------|---------------|--------|--------|-------|-------|-------|-------------------|
| | HP | Opt | | (See Key, chart on page 31.) | | | P/N | Mfr # | Bore | P/N | Mfr # | Bore | P/N | Qty | Mfr # | |
| 250 300 | 1/2 | AL21 | AK1 (115/1); AK2 (208/1); AK3 (230/1); AK5 (208/3); AK6 (230/3); AK7 (460/3); AK8 (575/3) | AM 2, 3, 4 | 13580 | 1VL34 | 5/8 | 19111 | AK84 | 1 | 105493 | 1 | A39 | 11.82 | | |
| | | | | AM 5, 6, 7, 8 | 13580 | 1VL34 | 5/8 | 18797 | AK64 | 1 | 105490 | 1 | A36 | 12.06 | | |
| | 3/4 | AL22 | | AM 5, 6, 7 | 13580 | 1VL34 | 5/8 | 18797 | AK64 | 1 | 105490 | 1 | A36 | 12.06 | | |
| | | | | AM 8, 9, 10, 11 | 13580 | 1VL34 | 5/8 | 105482 | AK56 | 1 | 105489 | 1 | A35 | 12.24 | | |
| | 1 | AL23 | | AM 7, 8, 9, 10, 11 | 13580 | 1VL34 | 5/8 | 105482 | AK56 | 1 | 105489 | 1 | A35 | 12.24 | | |
| | | | | AM 12, 13, 14, 15, 16 | 13580 | 1VL34 | 5/8 | 105481 | AK46 | 1 | 101291 | 1 | A33 | 12.06 | | |
| | 1-1/2 | AL24 | AK1 (115/1); AK2 (208/1); AK3 (230/1); AK5 (208/3); AK6 (230/3); AK7 (460/3) | AM 9, 10, 11 | 7962 | 1VL40 | 5/8 | 18797 | AK64 | 1 | 105491 | 1 | A37 | 12.2 | | |
| | | | | AM 12, 13, 14, 15, 16 | 105476 | 1VL44 | 5/8 | 105482 | AK56 | 1 | 105491 | 1 | A37 | 12.06 | | |
| | | | | AM 17, 18, 19, 20, 21, 22, 23 | 105476 | 1VL44 | 5/8 | 105481 | AK46 | 1 | 105489 | 1 | A35 | 12.37 | | |
| | | | AK8 (575/3) | AM 9, 10, 11 | 106748 | 1VL40 | 7/8 | 18797 | AK64 | 1 | 105491 | 1 | A37 | 12.20 | | |
| | | | | AM 12, 13, 14, 15, 16 | 106758 | 1VL44 | 7/8 | 105482 | AK56 | 1 | 105491 | 1 | A37 | 12.06 | | |
| | | | | AM 17, 18, 19, 20, 21, 22, 23 | 106758 | 1VL44 | 7/8 | 105481 | AK46 | 1 | 105489 | 1 | A35 | 12.37 | | |
| 2 | AL25 | AK5 (208/3); AK6 (230/3); AK7 (460/3); AK8 (575/3) | AM 9, 10, 11 | 106748 | 1VL40 | 7/8 | 18797 | AK64 | 1 | 105491 | 1 | A37 | 12.2 | | | |
| | | | AM 12, 13, 14, 15, 16 | 106758 | 1VL44 | 7/8 | 105482 | AK56 | 1 | 105490 | 1 | A36 | 12.06 | | | |
| AM 17, 18, 19, 20, 21, 22, 23 | 106758 | | 1VL44 | 7/8 | 105481 | AK46 | 1 | 105489 | 1 | A35 | 12.37 | | | | | |
| AM 13, 14, 15, 16, 17 | 106748 | | 1VL40 | 7/8 | 111609 | AK99 | 1 | 50470 | 1 | A43 | 12.14 | | | | | |
| 3 | AL26 | AM 18, 19, 20, 21, 22 | 37451 | 1VM50 | 7/8 | 16153 | AK104 | 1 | 50472 | 1 | A45 | 12.02 | | | | |
| | | AM 2, 3, 4 | 13580 | 1VL34 | 5/8 | 19111 | AK84 | 1 | 52966 | 1 | A44 | 14.37 | | | | |
| 350 400 | 3/4 | AL22 | AK1 (115/1); AK2 (208/1); AK3 (230/1); AK5 (208/3); AK6 (230/3); AK7 (460/3) | AM 5, 6 | 7962 | 1VL40 | 5/8 | 19111 | AK84 | 1 | 52966 | 1 | A44 | 14.01 | | |
| | | | | AM 3, 4, 5, 6 | 13580 | 1VL34 | 5/8 | 105484 | AK71H ^c | 1 | 50500 | 1 | A41 | 13.98 | | |
| | AM 7, 8, 9, 10, 11 | 13580 | | 1VL34 | 5/8 | 105482 | AK56 | 1 | 105493 | 1 | A39 | 14.25 | | | | |
| | AM 6, 7, 8, 9 | 7962 | | 1VL40 | 5/8 | 105484 | AK71H ^c | 1 | 101412 | 1 | A42 | 14.12 | | | | |
| | 1-1/2 | AL24 | | AK1 (115/1); AK2 (208/1); AK3 (230/1); AK5 (208/3); AK6 (230/3); AK7 (460/3) | AM 10, 11, 12, 13 | 105476 | 1VL44 | 5/8 | 18797 | AK64 | 1 | 101412 | 1 | A42 | 13.91 | |
| | | | | | AM 14, 15, 16, 17, 18 | 7962 | 1VL40 | 5/8 | 105481 | AK46 | 1 | 16018 | 1 | A38 | 14.18 | |
| | AK8 (575/3) | AM 6, 7, 8, 9 | 106748 | | 1VL40 | 7/8 | 105484 | AK71H ^c | 1 | 101412 | 1 | A42 | 14.12 | | | |
| | | AM 10, 11, 12, 13 | 106758 | 1VL44 | 7/8 | 18797 | AK64 | 1 | 101412 | 1 | A42 | 13.91 | | | | |
| | | AM 14, 15, 16, 17, 18 | 106748 | 1VL40 | 7/8 | 105481 | AK46 | 1 | 16018 | 1 | A38 | 14.18 | | | | |
| | 2 | AL25 | AK5 (208/3); AK6 (230/3); AK7 (460/3) | AM 9, 10, 11 | 106748 | 1VL40 | 7/8 | 18797 | AK64 | 1 | 50500 | 1 | A41 | 14.21 | | |
| | | | | AM 12, 13, 14, 15, 16 | 106758 | 1VL44 | 7/8 | 105482 | AK56 | 1 | 16019 | 1 | A40 | 14.07 | | |
| | AM 17, 18, 19, 20 | 106748 | | 1VL40 | 7/8 | 105481 | AK46 | 1 | 16018 | 1 | A38 | 14.18 | | | | |
| AM 9, 10, 11, 12, 13 | 106758 | 1VL44 | | 7/8 | 50520 | AK99 | 1 | 16131 | 1 | A54 | 14.22 | | | | | |
| 3 | AL26 | AK5 (208/3); AK6 (230/3); AK7 (460/3); AK8 (575/3) | AM 14, 15, 16, 17, 18, 19 | 106758 | 1VL44 | 7/8 | 16153 | AK104 | 1 | 65403 | 1 | A48 | 13.97 | | | |

*Distance between blower shaft and motor centerline with belts tensioned properly. **Not for Model 200 or 225.

^a Use a 3/4 "H" blower pulley bushing, P/N 105487; ^c Use a 1" blower pulley bushing, P/N 92203; ^p Use a 1" Q1 motor pulley bushing, P/N 6605.

Drive Components for Premium Efficiency Motors (See drive information, top of page 31.)

| Unit Sizes | Motor | | Voltage Option | Drive AM Nos. | | | Motor Pulley | | | Blower Pulley | | | Belt | | | *Shaft Centerline |
|---------------------------------|------------|--|--|--|---------------------------|--------|--------------|--------|--------|---------------|--------|-------|-------|-------|-------|-------------------|
| | HP | Opt | | (See Key, chart on page 31.) | | | P/N | Mfr # | Bore | P/N | Mfr # | Bore | P/N | Qty | Mfr # | |
| 75 100 125 | 1 | AL36 | AK5 (208/3); AK6 (230/3); AK7 (460/3); AK8 (575/3) | AM 9, 10, 11, 12, 13, 14, 15 | 110125 | 1VP34 | 7/8 | 105477 | AK46 | 3/4 | 105488 | 1 | A34 | 12.56 | | |
| | | | | AM 16, 17, 18, 19, 20, 21, 22 | 106748 | 1VL40 | 7/8 | 105478 | AK41 | 3/4 | 105488 | 1 | A34 | 12.5 | | |
| | 1-1/2 | AL37 | | AM 11, 12, 13 | 106758 | 1VL44 | 7/8 | 19108 | AK64 | 3/4 | 16018 | 1 | A38 | 12.4 | | |
| | | | | AM 14, 15, 16, 17 | 106748 | 1VL40 | 7/8 | 105479 | AK49 | 3/4 | 105489 | 1 | A35 | 12.43 | | |
| | 2 | AL38 | | AM 18, 19, 20, 21, 22 | 106748 | 1VL40 | 7/8 | 105478 | AK41 | 3/4 | 105488 | 1 | A34 | 12.58 | | |
| | | | | AM 13, 14, 15, 16, 17 | 106748 | 1VL40 | 7/8 | 105479 | AK49 | 3/4 | 105489 | 1 | A35 | 12.43 | | |
| 3 | AL39 | AM 18, 19, 20, 21, 22 | 106748 | 1VL40 | 7/8 | 105478 | AK41 | 3/4 | 105488 | 1 | A34 | 12.58 | | | | |
| | | AM 13, 14, 15, 16, 17 | 37451 | 1VM50 | 7/8 | 111606 | BK140 | 3/4 | 92221 | 1 | B52 | 12.46 | | | | |
| 150 175 200 225 RBA | 1 | AL36 | AK5 (208/3); AK6 (230/3); AK7 (460/3); AK8 (575/3) | AM 18, 19, 20, 21, 22, 23, 24 | 37451 | 1VM50 | 7/8 | 111607 | AK74 | 3/4 | 105493 | 1 | A39 | 12.27 | | |
| | | | | AM 7, 8 | 110125 | 1VP34 | 7/8 | 18797 | AK64 | 1 | 16019 | 1 | A40 | 14.08 | | |
| | 1-1/2 | AL37 | | AM 9, 10, 11, 12, 13, 14 | 110125 | 1VP34 | 7/8 | 105481 | AK46 | 1 | 105490 | 1 | A36 | 14.06 | | |
| | | | | AM 15, 16, 17 | 106748 | 1VL40 | 7/8 | 105481 | AK46 | 1 | 16018 | 1 | A38 | 14.18 | | |
| | 2 | AL38 | | AM 9, 10, 11 | 106758 | 1VL44 | 7/8 | 105484 | AK71HC | 1 | 101412 | 1 | A42 | 13.83 | | |
| | | | | AM 12, 13, 14, 15, 16 | 106758 | 1VL44 | 7/8 | 105482 | AK56 | 1 | 16019 | 1 | A40 | 14.07 | | |
| | 3 | AL39 | AM 17, 18, 19, 20 | 106748 | 1VL40 | 7/8 | 105481 | AK46 | 1 | 16018 | 1 | A38 | 14.18 | | | |
| | | | AM 9, 10, 11 | 106748 | 1VL40 | 7/8 | 18797 | AK64 | 1 | 50500 | 1 | A41 | 14.21 | | | |
| | 250 300 | 1 | AL36 | AK5 (208/3); AK6 (230/3); AK7 (460/3); AK8 (575/3) | AM 12, 13, 14, 15, 16, 17 | 106758 | 1VL44 | 7/8 | 105482 | AK56 | 1 | 16019 | 1 | A40 | 14.07 | |
| | | | | | AM 18, 19, 20 | 106748 | 1VL40 | 7/8 | 105481 | AK46 | 1 | 16018 | 1 | A38 | 14.18 | |
| | | 1-1/2 | AL37 | | AM 13, 14, 15, 16, 17 | 106748 | 1VL40 | 7/8 | 111609 | AK99 | 1 | 50474 | 1 | A47 | 14.2 | |
| | | | | | AM 18, 19, 20, 21 | 106748 | 1VL40 | 7/8 | 19111 | AK84 | 1 | 52966 | 1 | A44 | 14 | |
| 2 | | AL38 | AM 7, 8, 9, 10, 11 | | 110125 | 1VP34 | 7/8 | 105482 | AK56 | 1 | 105489 | 1 | A35 | 12.24 | | |
| | | | AM 12, 13, 14, 15, 16 | | 110125 | 1VP34 | 7/8 | 105481 | AK46 | 1 | 101291 | 1 | A33 | 12.06 | | |
| 3 | AL39 | AM 9, 10, 11 | 106748 | 1VL40 | 7/8 | 18797 | AK64 | 1 | 105491 | 1 | A37 | 12.2 | | | | |
| | | AM 12, 13, 14, 15, 16 | 106758 | 1VL44 | 7/8 | 105482 | AK56 | 1 | 105490 | 1 | A36 | 12.06 | | | | |
| 350 400 | 1 | AL36 | AK5 (208/3); AK6 (230/3); AK7 (460/3); AK8 (575/3) | AM 17, 18, 19, 20, 21, 22, 23 | 106758 | 1VL44 | 7/8 | 105481 | AK46 | 1 | 105489 | 1 | A35 | 12.37 | | |
| | | | | AM 9, 10, 11 | 106748 | 1VL40 | 7/8 | 18797 | AK64 | 1 | 105491 | 1 | A37 | 12.2 | | |
| | 1-1/2 | AL37 | | AM 12, 13, 14, 15, 16 | 106758 | 1VL44 | 7/8 | 105482 | AK56 | 1 | 105490 | 1 | A36 | 12.06 | | |
| | | | | AM 17, 18, 19, 20, 21, 22, 23 | 106758 | 1VL44 | 7/8 | 105481 | AK46 | 1 | 105489 | 1 | A35 | 12.37 | | |
| | 2 | AL38 | | AM 13, 14, 15, 16, 17 | 106748 | 1VL40 | 7/8 | 111609 | AK99 | 1 | 40570 | 1 | A43 | 12.14 | | |
| | | | | AM 18, 19, 20, 21, 22 | 37451 | 1VM50 | 7/8 | 16153 | AK104 | 1 | 50472 | 1 | A45 | 12.02 | | |
| | 3 | AL39 | AM 3, 4, 5, 6 | 110125 | 1VP34 | 7/8 | 105484 | AK71HC | 1 | 50500 | 1 | A41 | 13.98 | | | |
| | | | AM 7, 8, 9, 10, 11 | 110125 | 1VP34 | 7/8 | 105482 | AK56 | 1 | 105493 | 1 | A39 | 14.25 | | | |
| | 1-1/2 | AL37 | AK5 (208/3); AK6 (230/3); AK7 (460/3); AK8 (575/3) | AM 6, 7, 8, 9 | 106748 | 1VL40 | 7/8 | 105484 | AK71HC | 1 | 101412 | 1 | A42 | 14.12 | | |
| | | | | AM 10, 11, 12, 13 | 106758 | 1VL44 | 7/8 | 18797 | AK46 | 1 | 101412 | 1 | A42 | 13.91 | | |
| | | | | AM 14, 15, 16, 17, 18 | 106748 | 1VL40 | 7/8 | 105481 | AK64 | 1 | 16048 | 1 | A38 | 14.18 | | |
| | | | | AM 9, 10, 11 | 106748 | 1VL40 | 7/8 | 18797 | AK56 | 1 | 50500 | 1 | A41 | 14.21 | | |
| AM 12, 13, 14, 15, 16 | | | | 106758 | 1VL44 | 7/8 | 105482 | AK46 | 1 | 16019 | 1 | A40 | 14.07 | | | |
| AM 17, 18, 19, 20 | | | | 106748 | 1VL40 | 7/8 | 105481 | AK99 | 1 | 16018 | 1 | A38 | 14.18 | | | |
| 2 | AL38 | AK5 (208/3); AK6 (230/3); AK7 (460/3); AK8 (575/3) | AM 9, 10, 11, 12, 13 | 106758 | 1VL44 | 7/8 | 50520 | AK104 | 1 | 16131 | 1 | A54 | 14.22 | | | |
| | | | AM 14, 15, 16, 17, 18, 19 | 106758 | 1VL44 | 7/8 | 16153 | 2AK104 | 1 | 65403 | 2 | A48 | 13.97 | | | |

*Distance between blower shaft and motor centerline with belts tensioned properly. **Not for Model 200 or 225. ^a Use a 3/4 "H" blower pulley bushing, P/N 105487; ^c Use a 1" blower pulley bushing, P/N 92203; ^p Use a 1" Q1 motor pulley bushing, P/N 6605.

Drives - Model Series (H)(C)RGB, (H)(C)RPB, and Blower Cabinet Model RBA (cont'd)

Drive Components for Two-Speed Motors (See drive information, top of page 31.)

| Unit Sizes | Motor | | Voltage Option | Drive AM Nos. | | | Motor Pulley | | | Blower Pulley | | | Belt | | *Shaft Centerline |
|---------------------------------|------------|--------------------------|--|-------------------------------|--------|--------|--------------|--------|--------|---------------|--------|-------|-------|-------|-------------------|
| | HP | Opt | | (See Key, chart on page 31.) | P/N | Mfr # | Bore | P/N | Mfr # | Bore | P/N | Qty | Mfr # | | |
| 75 100 125 | 1 | AL45 | AK1 (115/1); AK2 (208/1); AK3 (230/1); AK5 (208/3); AK6 (230/3); AK7 (460/3) | AM 9, 10, 11, 12, 13, 14, 15 | 110125 | 1VP34 | 7/8 | 105477 | AK46 | 3/4 | 105488 | 1 | A34 | 12.56 | |
| | | | | AM 16, 17, 18, 19, 20, 21, 22 | 106748 | 1VL40 | 7/8 | 105478 | AK41 | 3/4 | 105488 | 1 | A34 | 12.5 | |
| | 1-1/2 | AL46 | | AM 11, 12, 13 | 106758 | 1VL44 | 7/8 | 19108 | AK64 | 3/4 | 16018 | 1 | A38 | 12.4 | |
| | | | | AM 14, 15, 16, 17 | 106748 | 1VL40 | 7/8 | 105479 | AK49 | 3/4 | 105489 | 1 | A35 | 12.43 | |
| | 2 | AL47 | | AM 18, 19, 20, 21, 22 | 106748 | 1VL40 | 7/8 | 105478 | AK41 | 3/4 | 105488 | 1 | A34 | 12.58 | |
| | | | | AM 13, 14, 15 | 111681 | 1VP50 | 1-1/8 | 111682 | AK71 | 3/4 | 16019 | 1 | A40 | 12.38 | |
| | | | | AM 16, 17, 18, 19, 20 | 111681 | 1VP50 | 1-1/8 | 111684 | AK59 | 3/4 | 16018 | 1 | A38 | 12.36 | |
| | | | | AM 21, 22, 23, 24 | 111681 | 1VP50 | 1-1/8 | 110762 | BK57 | 3/4 | 110763 | 1 | B38 | 12.2 | |
| | | | | AM 13, 14, 15 | 111681 | 1VP50 | 1-1/8 | 111682 | AK71 | 3/4 | 16019 | 1 | A40 | 12.38 | |
| | | | | AM 16, 17, 18, 19, 20 | 111681 | 1VP50 | 1-1/8 | 111684 | AK59 | 3/4 | 1018 | 1 | A38 | 12.36 | |
| | | | | AM 21, 22, 23, 24 | 111681 | 1VM50 | 1-1/8 | 110762 | BK57 | 3/4 | 110763 | 1 | B38 | 12.2 | |
| | | | | AM 13, 14, 15 | 111681 | 1VP50 | 1-1/8 | 111682 | AK71 | 3/4 | 16019 | 1 | A40 | 12.38 | |
| 3 | AL48 | AM 16, 17, 18, 19, 20 | 111681 | 1VP50 | 1-1/8 | 111684 | AK59 | 3/4 | 1018 | 1 | A38 | 12.36 | | | |
| | | AM 21, 22, 23, 24 | 111681 | 1VP50 | 1-1/8 | 110762 | BK57 | 3/4 | 110763 | 1 | B38 | 12.2 | | | |
| | | AM 7, 8 | 110125 | 1VP34 | 7/8 | 18797 | AK64 | 1 | 16019 | 1 | A40 | 14.08 | | | |
| | | AM 9, 10, 11, 12, 13, 14 | 110125 | 1VP34 | 7/8 | 105481 | AK46 | 1 | 105490 | 1 | A36 | 14.06 | | | |
| 150 175 200 225 RBA | 1 | AL45 | AM 15, 16, 17 | 106748 | 1VL40 | 7/8 | 105481 | AK46 | 1 | 16018 | 1 | A38 | 14.18 | | |
| | | | AM 9, 10, 11 | 106758 | 1VL44 | 7/8 | 105484 | AK71HC | 1 | 101412 | 1 | A42 | 13.83 | | |
| | 1-1/2 | AL46 | AM 12, 13, 14, 15, 16 | 106758 | 1VL44 | 7/8 | 105482 | AK56 | 1 | 16019 | 1 | A40 | 14.07 | | |
| | | | AM 17, 18, 19, 20 | 106748 | 1VL40 | 7/8 | 105481 | AK46 | 1 | 16018 | 1 | A38 | 14.18 | | |
| | 2 | AL47 | AM 12, 13, 14, 15, 16 | 111681 | 1VP50 | 1-1/8 | 105483 | AK69 | 1 | 50470 | 1 | A43 | 14.05 | | |
| | | | AM 17, 18, 19, 20 | 111681 | 1VP50 | 1-1/8 | 105482 | AK56 | 1 | 50500 | 1 | A41 | 14.11 | | |
| | | | AM 21, 22, 23, 24 | 111681 | 1VP50 | 1-1/8 | 111689 | AK49 | 1 | 16019 | 1 | A40 | 14.16 | | |
| | | | AM 13, 14, 15, 16 | 111681 | 1VP50 | 1-1/8 | 105483 | AK69 | 1 | 50470 | 1 | A43 | 14.05 | | |
| | | | AM 17, 18, 19, 20 | 111681 | 1VP50 | 1-1/8 | 105482 | AK56 | 1 | 50500 | 1 | A41 | 14.11 | | |
| | | | AM 21, 22, 23, 24 | 111681 | 1VP50 | 1-1/8 | 111689 | AK49 | 1 | 16019 | 1 | A40 | 14.16 | | |
| | | | AM 13, 14, 15, 16 | 111681 | 1VP50 | 1-1/8 | 105483 | AK69 | 1 | 50470 | 1 | A43 | 14.05 | | |
| | | | AM 17, 18, 19, 20 | 111681 | 1VP50 | 1-1/8 | 105482 | AK56 | 1 | 50500 | 1 | A41 | 14.11 | | |
| 3 | AL48 | AM 21, 22, 23, 24 | 111681 | 1VP50 | 1-1/8 | 111689 | AK49 | 1 | 16019 | 1 | A40 | 14.16 | | | |
| | | AM 7, 8, 9, 10, 11 | 110125 | 1VP34 | 7/8 | 105482 | AK56 | 1 | 105489 | 1 | A35 | 12.24 | | | |
| | | AM 12, 13, 14, 15, 16 | 110125 | 1VP34 | 7/8 | 105481 | AK46 | 1 | 101291 | 1 | A33 | 12.06 | | | |
| | | AM 9, 10, 11 | 106748 | 1VL40 | 7/8 | 18797 | AK64 | 1 | 105491 | 1 | A37 | 12.2 | | | |
| 250 300 | 1-1/2 | AL46 | AM 12, 13, 14, 15, 16 | 106758 | 1VL44 | 7/8 | 105482 | AK56 | 1 | 105490 | 1 | A36 | 12.06 | | |
| | | | AM 17, 18, 19, 20, 21, 22, 23 | 106758 | 1VL44 | 7/8 | 105481 | AK46 | 1 | 105489 | 1 | A35 | 12.37 | | |
| | 2 | AL47 | AM 12, 13, 14, 15, 16 | 111681 | 1VP50 | 1-1/8 | 105483 | AK69 | 1 | 105493 | 1 | A39 | 12.04 | | |
| | | | AM 17, 18, 19, 20 | 111681 | 1VP50 | 1-1/8 | 115716 | AK59 | 1 | 105491 | 1 | A37 | 11.86 | | |
| | | | AM 21, 22, 23, 24 | 111681 | 1VP50 | 1-1/8 | 111689 | AK49 | 1 | 105490 | 1 | A36 | 12.16 | | |
| | | | AM 13, 14, 15, 16 | 111681 | 1VP50 | 1-1/8 | 105483 | AK69 | 1 | 105493 | 1 | A39 | 12.04 | | |
| | | | AM 17, 18, 19, 20 | 111681 | 1VP50 | 1-1/8 | 115716 | AK59 | 1 | 105491 | 1 | A45 | 11.86 | | |
| | | | AM 21, 22, 23, 24 | 111681 | 1VP50 | 1-1/8 | 111689 | AK49 | 1 | 105490 | 1 | A36 | 12.16 | | |
| | | | AM 3, 4, 5, 6 | 110125 | 1VP34 | 7/8 | 105484 | AK71HC | 1 | 50500 | 1 | A41 | 13.98 | | |
| | | | AM 7, 8, 9, 10, 11 | 110125 | 1VP34 | 7/8 | 105482 | AK56 | 1 | 105493 | 1 | A39 | 14.25 | | |
| | 350 400 | 1-1/2 | AL46 | AM 6, 7, 8, 9 | 106748 | 1VL40 | 7/8 | 105484 | AK71HC | 1 | 101412 | 1 | A42 | 14.12 | |
| | | | | AM 10, 11, 12, 13 | 106758 | 1VL44 | 7/8 | 18797 | AK64 | 1 | 16019 | 1 | A40 | 13.91 | |
| 2 | | AL47 | AM 14, 15, 16, 17, 18 | 106748 | 1VL40 | 7/8 | 105481 | AK46 | 1 | 16018 | 1 | A38 | 14.18 | | |
| | | | AM 12, 13, 14, 15, 16 | 111681 | 1VP50 | 1-1/8 | 105483 | AK69 | 1 | 50470 | 1 | A43 | 14.05 | | |
| | | | AM 17, 18, 19, 20 | 111681 | 1VP50 | 1-1/8 | 105482 | AK56 | 1 | 50500 | 1 | A41 | 14.11 | | |
| | | | AM 21, 22, 23, 24 | 111681 | 1VP50 | 1-1/8 | 111689 | AK49 | 1 | 16019 | 1 | A40 | 14.16 | | |
| | | | AM 12, 13, 14, 15, 16 | 111681 | 1VP50 | 1-1/8 | 105483 | AK69 | 1 | 50470 | 1 | A43 | 14.05 | | |
| | | | AM 17, 18, 19, 20 | 111681 | 1VP50 | 1-1/8 | 105482 | AK56 | 1 | 50500 | 1 | A41 | 14.11 | | |
| | | | AM 21, 22, 23, 24 | 111681 | 1VP50 | 1-1/8 | 111689 | AK49 | 1 | 16019 | 1 | A40 | 14.16 | | |
| | | | AM 12, 13, 14, 15, 16, 17 | 6599 | 2VP42 | 7/8 | 7955 | 2AK104 | 1 | 65403 | 2 | A48 | 14.11 | | |
| AM 18, 19, 20, 21, 22 | 8973 | 2VP50 | 7/8 | 7955 | 2AK104 | 1 | 50472 | 2 | A49 | 14.06 | | | | | |

*Distance between blower shaft and motor centerline with belts tensioned properly. **Not for Model 200 or 225. †Use a 1" blower pulley bushing, P/N 92203.

Drives - Model Series RGLB, RPBL, PGBL and Blower Cabinet RBL

Drive Components for Open Motors (See drive information, top of page 31.)

| Unit Sizes | Motor | | Voltage Option | Drive AM Nos. | | | Motor Pulley | | | Blower Pulley | | | Belt | | *Shaft Centerline |
|----------------|-------|-----------------------|---|------------------------------|--------|-------|--------------|--------|--------|---------------|--------|-------|-------|-------|-------------------|
| | HP | Opt | | (See Key, chart on page 31.) | P/N | Mfr # | Bore | P/N | Mfr # | Bore | P/N | Qty | Mfr # | | |
| All "BL" Units | 1 | AL6 | AK1 (115/1); AK2 (208/1); AK3 (230/1); AK5 (208/3); AK6 (230/3); AK7 (460/3); AK8 (575/3) | AM 2, 3, 4 | 13580 | 1VL34 | 5/8 | 111862 | AK84 | 1-3/16 | 16134 | 1 | A57 | 20.94 | |
| | | | | AM 5, 6, 7 | 13580 | 1VL34 | 5/8 | 105484 | AK71HA | 1-3/16 | 16134 | 1 | A57 | 21.03 | |
| | 1-1/2 | AL7 | | AM 3, 4, 5, 6, 7 | 13580 | 1VL34 | 5/8 | 105484 | AK71HA | 1-3/16 | 16134 | 1 | A57 | 21.03 | |
| | | | | AM 8, 9, 10, 11 | 105476 | 1VL44 | 5/8 | 106256 | AK74 | 1-3/16 | 16134 | 1 | A57 | 21.11 | |
| | 2 | AL8 | | AM 3, 4, 5, 6, 7 | 110125 | 1VP34 | 7/8 | 105484 | AK71HA | 1-3/16 | 16132 | 1 | A55 | 20.03 | |
| | | | | AM 8, 9, 10, 11 | 106758 | 1VL44 | 7/8 | 105484 | AK71HA | 1-3/16 | 16133 | 1 | A56 | 20.85 | |
| | | | | AM 12, 13, 14, 15, 16 | 106758 | 1VL44 | 7/8 | 110807 | AK56HA | 1-3/16 | 16131 | 1 | A54 | 21.07 | |
| | | | | AM 7, 8, 9 | 37451 | 1VM50 | 7/8 | 16160 | AK184 | 1-3/16 | 92264 | 1 | A78 | 20.95 | |
| | 3 | AL9 | | AM 10, 11, 12, 13 | 106758 | 1VL44 | 7/8 | 16158 | AK134 | 1-3/16 | 16558 | 1 | A69 | 20.96 | |
| | | | | AM 14, 15, 16, 17, 18 | 37451 | 1VM50 | 7/8 | 16156 | AK124 | 1-3/16 | 111870 | 1 | A66 | 20.92 | |
| | | | | AM 8, 9, 10, 11 | 6599 | 2VP42 | 7/8 | 16161 | 2AK134 | 1-3/16 | 92408 | 1 | A68 | 21.08 | |
| | | | | AM 12, 13, 14, 15 | 87500 | 2VP36 | 7/8 | 16003 | 2BK100 | 1-3/16 | 88560 | 1 | A61 | 21.01 | |
| 5 | AL10 | AM 16, 17, 18, 19, 20 | 6599 | 2VP42 | 7/8 | 16003 | 2BK100 | 1-3/16 | 16137 | 1 | A62 | 21.08 | | | |
| | | AM 10, 11 | 16150 | 2VP62 | 1-3/8 | 16168 | 2BK110 | 1-3/16 | 92414 | 1 | B64 | 20.47 | | | |
| 7-1/2 | AL11 | AM 12, 13 | 16150 | 2VP62 | 1-3/8 | 16003 | 2BK100 | 1-3/16 | 7950 | 1 | B62 | 20.31 | | | |
| | | AM 14, 15, 16 | 16150 | 2VP62 | 1-3/8 | 91633 | 2TB86 B | 1-3/16 | 92280 | 1 | BX59 | 20.47 | | | |
| | | AM 17, 18, 19, 20 | 110771 | 2VP65 | 1-3/8 | 89648 | 2BK80HA | 1-3/16 | 92280 | 1 | BX59 | 20.37 | | | |
| | | AM 10, 11 | 16150 | 2VP62 | 1-3/8 | 16168 | 2BK110 | 1-3/16 | 92414 | 1 | B64 | 20.47 | | | |
| | | AM 12, 13 | 16150 | 2VP62 | 1-3/8 | 16003 | 2BK100 | 1-3/16 | 7950 | 1 | B62 | 20.31 | | | |
| | | AM 14, 15, 16 | 16150 | 2VP62 | 1-3/8 | 91633 | 2TB86 B | 1-3/16 | 92280 | 1 | BX59 | 20.47 | | | |
| | | AM 17, 18, 19, 20 | 110771 | 2VP65 | 1-3/8 | 89648 | 2BK80HA | 1-3/16 | 92280 | 1 | BX59 | 20.37 | | | |

| Unit Sizes | Motor | | Voltage Option | Drive AM Nos. | | | Motor Pulley | | | Blower Pulley | | | Belt | | *Shaft Centerline |
|------------------------|------------------|---------------------|--|-------------------------------------|---------------------|------------|---------------------|--------|----------------------|---------------|--------|-------|-------|-------|-------------------|
| | HP | Opt | | (See Key, chart on page 31) | P/N | Mfr # | Bore | P/N | Mfr # | Bore | P/N | Qty | Mfr # | | |
| All "BL" Units (cont') | **15 | AL15 | AK5 (208/3); AK6 (230/3); AK7 (460/3); AK8 (575/3) | **AM 15, 16, 17, 18, 19, 20 | 89644 | 3MVP40-B54 | 1-5/8 | 106258 | 3TB66H ^a | 1-7/16 | 92224 | 3 | B56 | 20.47 | |
| | | | | **AM 21, 22, 23, 24 | 89644 | 3MVP40-B54 | 1-5/8 | 106262 | 3BK65H ^c | 1-7/16 | 92224 | 3 | B56 | 20.53 | |
| | **20 | AL16 | | **AM 17, 18, 19, 20, 21, 22, 23, 24 | 89644 | 3MVP40-B54 | 1-5/8 | 106262 | 3BK65H ^c | 1-7/16 | 92239 | 3 | BX54 | 20.11 | |
| | | | | ***AM 15, 16, 17 | 148593 ^f | 2MVP70B84P | 1-5/8" | 113811 | 2BK120H ^d | 1-7/16 | 80841 | 2 | BX67 | 20.47 | |
| | ***15 | AL15 | | ***AM 18, 19, 20, 21 | 148594 ^f | 2MVP80B94Q | 1-5/8" | 114045 | 2B5V110 ^e | 1-7/16 | 148605 | 2 | BX69 | 20.53 | |
| | | | | ***AM 22, 23, 24 | 148593 ^f | 2MVP70B84P | 1-5/8" | 148597 | 2B5V90 ^e | 1-7/16 | 114258 | 2 | BX64 | 20.11 | |
| | ***20 | AL16 | | ***AM17 | 148593 ^f | 2MVP70B84P | 1-5/8" | 113811 | 2BK120H ^d | 1-7/16 | 80841 | 2 | BX67 | 20.47 | |
| | | | | ***AM 18, 19, 20, 21 | 148594 ^f | 2MVP80B94Q | 1-5/8" | 114045 | 2B5V110 ^e | 1-7/16 | 148605 | 2 | BX69 | 20.53 | |
| | ***AM 22, 23, 24 | 148593 ^f | | 2MVP70B84P | 1-5/8" | 148597 | 2B5V90 ^e | 1-7/16 | 114258 | 2 | BX64 | 20.47 | | | |

*Distance between blower shaft and motor centerline with belts tensioned properly. ** Three-Groove Drives ***Two-Groove Drives
^a Use 1-3/16 "H" Blower Pulley Bushing, P/N 106260 ^b Use 1-7/16 "B" Blower Pulley Bushing, P/N 114033 ^c Use 1-7/16 "P1" Blower Pulley Bushing, P/N 106261
^d Use 1-3/16 "Q1" Blower Pulley Bushing, P/N 39460 ^e Use 1-5/8 "P2" Motor Pulley Bushing, P/N 148595
^f Use 1-7/16 "H" Blower Pulley Bushing, P/N 89659 ^g Use 1-5/8 "Q2" Motor Pulley Bushing, P/N 148596

Drive Components for Totally Enclosed Motors (See drive information, top of page 31.)

| Unit Sizes | Motor | | Voltage Option | Drive AM Nos. | | | Motor Pulley | | | Blower Pulley | | | Belt | | *Shaft Centerline |
|----------------|------------------|---------------------|---|-----------------------------|---------------------|-------------------------|---------------------|--------|----------------------|---------------|--------|-------|-------|-------|-------------------|
| | HP | Opt | | (See Key, chart on page 31) | P/N | Mfr # | Bore | P/N | Mfr # | Bore | P/N | Qty | Mfr # | | |
| All "BL" Units | 1 | AL23 | AK1 (115/1); AK2 (208/1); AK3 (230/1); AK5 (208/3); AK6 (230/3); AK7 (460/3); AK8 (575/3) | AM 2, 3, 4 | 13580 | 1VL34 | 5/8 | 111862 | AK84 | 1-3/16 | 16134 | 1 | A57 | 20.94 | |
| | | | | AM 5, 6, 7 | 13580 | 1VL34 | 5/8 | 105484 | AK71H ^c | 1-3/16 | 16134 | 1 | A57 | 21.03 | |
| | 1-1/2 | AL24 | | AM 3, 4, 5, 6, 7 | 13580 | 1VL34 | 5/8 | 105484 | AK71H ^c | 1-3/16 | 16134 | 1 | A57 | 21.03 | |
| | | | | AM 8, 9, 10, 11 | 105476 | 1VL44 | 5/8 | 106256 | AK74 | 1-3/16 | 16134 | 1 | A57 | 21.11 | |
| | 2 | AL25 | | AM 3, 4, 5, 6, 7 | 110125 | 1VP34 | 7/8 | 105484 | AK71H ^c | 1-3/16 | 16134 | 1 | A57 | 21.03 | |
| | | | | AM 8, 9, 10, 11 | 106758 | 1VL44 | 7/8 | 106256 | AK74 | 1-3/16 | 16134 | 1 | A57 | 21.11 | |
| | 3 | AL26 | | AM 3, 4, 5, 6, 7 | 110125 | 1VP34 | 7/8 | 105484 | AK71H ^c | 1-3/16 | 16132 | 1 | A55 | 20.03 | |
| | | | | AM 8, 9, 10, 11 | 106758 | 1VL44 | 7/8 | 105484 | AK71H ^c | 1-3/16 | 16133 | 1 | A56 | 20.85 | |
| | 5 | AL27 | | AM 12, 13, 14, 15, 16 | 106758 | 1VL44 | 7/8 | 110807 | AK56H ^c | 1-3/16 | 16131 | 1 | A54 | 21.07 | |
| | | | | AM 7, 8, 9 | 37451 | 1VM50 | 7/8 | 16160 | AK184 | 1-3/16 | 92264 | 1 | A78 | 20.95 | |
| | 7-1/2 | AL32 | | AM 10, 11, 12, 13 | 106758 | 1VL44 | 7/8 | 16158 | AK134 | 1-3/16 | 16558 | 1 | A69 | 20.96 | |
| | | | | AM 14, 15, 16, 17, 18 | 37451 | 1VM50 | 7/8 | 16156 | AK124 | 1-3/16 | 111870 | 1 | A66 | 20.92 | |
| | 10 | AL33 | | AM 7, 8, 9 | 37451 | 1VM50 | 7/8 | 16160 | AK184 | 1-3/16 | 92264 | 1 | A78 | 20.95 | |
| | | | | AM 10, 11, 12, 13 | 106758 | 1VL44 | 7/8 | 16158 | AK134 | 1-3/16 | 16558 | 1 | A69 | 20.96 | |
| | 10 | AL35 | | AM 14, 15, 16, 17, 18 | 37451 | 1VM50 | 7/8 | 16156 | AK124 | 1-3/16 | 111870 | 1 | A66 | 20.92 | |
| | | | | AM 8, 9, 10, 11 | 7963 | 2VP42 | 1-1/8 | 16161 | 2AK134 | 1-3/16 | 16139 | 1 | A67 | 21.08 | |
| | 10 | AL34 | | AM 12, 13, 14, 15 | 105581 | 2VP50 | 1-1/8 | 16161 | 2AK134 | 1-3/16 | 92408 | 1 | A68 | 21.01 | |
| | | | | AM 16, 17, 18, 19, 20 | 7963 | 2VP42 | 1-1/8 | 16003 | 2BK100 | 1-3/16 | 50477 | 1 | A60 | 21.08 | |
| | 10 | AL34 | | AM 10, 11 | 16150 | 2VP62 | 1-3/8 | 16138 | 2BK110 | 1-3/16 | 92414 | 1 | B64 | 20.47 | |
| | | | | AM 12, 13 | 16150 | 2VP62 | 1-3/8 | 16003 | 2BK100 | 1-3/16 | 7950 | 1 | B62 | 20.31 | |
| | 10 | AL34 | | AM 14, 15, 16 | 16150 | 2VP62 | 1-3/8 | 91633 | 2TB86 ^a | 1-3/16 | 92280 | 1 | BX59 | 20.47 | |
| | | | | AM 17, 18, 19, 20 | 110771 | 2VP65 | 1-3/8 | 89648 | 2BK80H ^c | 1-3-16 | 92280 | 1 | BX59 | 20.37 | |
| | 10 | AL35 | | AM 10, 11 | 16150 | 2VP62 | 1-3/8 | 16168 | 2BK110 | 1-3/16 | 92414 | 1 | B64 | 20.47 | |
| | | | | AM 12, 13 | 16150 | 2VP62 | 1-3/8 | 16003 | 2BK100 | 1-3/16 | 7950 | 1 | B62 | 20.31 | |
| | 10 | AL35 | | AM 14, 15, 16 | 16150 | 2VP62 | 1-3/8 | 91633 | 2TB86 ^a | 1-3/16 | 92280 | 1 | BX59 | 20.47 | |
| | | | | AM 17, 18, 19, 20 | 110771 | 2VP65 | 1-3/8 | 89648 | 2BK80H ^c | 1-3/16 | 92280 | 1 | BX59 | 20.37 | |
| | 10 | AL35 | | **AM 15, 16, 17 | 148593 | 2MVP70B84P ^e | 1-5/8 | 113811 | 2BK120H ^d | 1-7/16 | 80841 | 3 | BX67 | 20.47 | |
| | | | | **AM 18, 19, 20, 21 | 148594 | 2MVP80B94Q ^e | 1-5/8 | 114045 | 2B5V110 ^e | 1-7/16 | 148605 | 3 | BX69 | 20.53 | |
| | 10 | AL34 | | **AM 22, 23, 24 | 148593 | 2MVP70B84P ^e | 1-5/8 | 148597 | 2B5V90 ^e | 1-7/16 | 114258 | 3 | BX64 | 20.11 | |
| | | | | ***AM 15, 16, 17 | 148593 ^f | 2MVP70B84P | 1-5/8 | 113811 | 2BK120H ^d | 1-7/16 | 80841 | 2 | BX67 | 20.47 | |
| | 10 | AL34 | | ***AM 18, 19, 20, 21 | 148594 ^f | 2MVP80B94Q | 1-5/8 | 114045 | 2B5V110 ^e | 1-7/16 | 148605 | 2 | BX69 | 20.53 | |
| | | | | ***AM 22, 23, 24 | 148593 ^f | 2MVP70B84P | 1-5/8 | 148597 | 2B5V90 ^e | 1-7/16 | 114258 | 2 | BX64 | 20.11 | |
| | 10 | AL35 | | ***AM17 | 148593 ^f | 2MVP70B84P | 1-5/8 | 113811 | 2BK120H ^d | 1-7/16 | 80841 | 2 | BX67 | 20.47 | |
| | | | | ***AM 18, 19, 20, 21 | 148594 ^f | 2MVP80B94Q | 1-5/8 | 114045 | 2B5V110 ^e | 1-7/16 | 148605 | 2 | BX69 | 20.53 | |
| | ***AM 22, 23, 24 | 148593 ^f | | 2MVP70B84P | 1-5/8 | 148597 | 2B5V90 ^e | 1-7/16 | 114258 | 2 | BX64 | 20.11 | | | |

*Distance between blower shaft and motor centerline with belts tensioned properly. ** Three-Groove Drives ***Two-Groove Drives
^a Use 1-3/16 "H" Blower Pulley Bushing, P/N 106260 ^b Use 1-7/16 "B" Blower Pulley Bushing, P/N 114033 ^c Use 1-7/16 "P1" Blower Pulley Bushing, P/N 106261
^d Use 1-3/16 "Q1" Blower Pulley Bushing, P/N 39460 ^e Use 1-5/8 "P2" Motor Pulley Bushing, P/N 148595
^f Use 1-7/16 "H" Blower Pulley Bushing, P/N 89659 ^g Use 1-5/8 "Q2" Motor Pulley Bushing, P/N 148596

Drive Components for Premium Efficiency Motors (See drive information, top of page 31.)

| Unit Sizes | Motor | | Voltage Option | Drive AM Nos. | | | Motor Pulley | | | Blower Pulley | | | Belt | | *Shaft Centerline |
|----------------|-------|-------------------|--|------------------------------|--------|-------|---------------------|--------|---------------------|---------------|--------|-------|-------|-------|-------------------|
| | HP | Opt | | (See Key, chart on page 31.) | P/N | Mfr # | Bore | P/N | Mfr # | Bore | P/N | Qty | Mfr # | | |
| All "BL" Units | 1 | AL36 | AK5 (208/3); AK6 (230/3); AK7 (460/3); AK8 (575/3) | AM 2, 3, 4 | 110125 | 1VP34 | 7/8 | 111862 | AK84 | 1-3/16 | 16134 | 1 | A57 | 20.94 | |
| | | | | AM 5, 6, 7 | 110125 | 1VP34 | 7/8 | 105484 | AK71H ^a | 1-3/16 | 16132 | 1 | A55 | 21.03 | |
| | 1-1/2 | AL37 | | AM 3, 4, 5, 6, 7 | 110125 | 1VP34 | 7/8 | 105484 | AK71H ^a | 1-3/16 | 16132 | 1 | A55 | 21.03 | |
| | | | | AM 8, 9, 10, 11 | 106758 | 1VL44 | 7/8 | 106256 | AK74 | 1-3/16 | 16134 | 1 | A57 | 21.11 | |
| | 2 | AL38 | | AM 3, 4, 5, 6, 7 | 110125 | 1VP34 | 7/8 | 105484 | AK71H ^a | 1-3/16 | 16132 | 1 | A55 | 20.03 | |
| | | | | AM 8, 9, 10, 11 | 106758 | 1VL44 | 7/8 | 105484 | AK71H ^a | 1-3/16 | 16133 | 1 | A56 | 20.85 | |
| | 3 | AL39 | | AM 12, 13, 14, 15, 16 | 106758 | 1VL44 | 7/8 | 110807 | AK56H ^c | 1-3/16 | 16131 | 1 | A54 | 21.07 | |
| | | | | AM 7, 8, 9 | 37451 | 1VM50 | 7/8 | 16160 | AK184 | 1-3/16 | 92264 | 1 | A78 | 20.95 | |
| | 5 | AL40 | | AM 10, 11, 12, 13 | 106758 | 1VL44 | 7/8 | 16158 | AK134 | 1-3/16 | 16558 | 1 | A69 | 20.96 | |
| | | | | AM 14, 15, 16, 17, 18 | 37451 | 1VM50 | 7/8 | 16156 | AK124 | 1-3/16 | 111870 | 1 | A66 | 20.92 | |
| | 7-1/2 | AL41 | | AM 8, 9, 10, 11 | 7963 | 2VP42 | 1-1/8 | 16161 | 2AK134 | 1-3/16 | 16139 | 1 | A67 | 21.08 | |
| | | | | AM 12, 13, 14, 15 | 105581 | 2VP50 | 1-1/8 | 16161 | 2AK34 | 1-3/16 | 92408 | 1 | A68 | 21.01 | |
| | 10 | AL42 | | AM 16, 17, 18, 19, 20 | 7963 | 2VP42 | 1-1/8 | 16003 | 2BK100 | 1-3/16 | 50477 | 1 | A60 | 21.08 | |
| | | | | AM 10, 11 | 16150 | 2VP62 | 1-3/8 | 16168 | 2BK110 | 1-3/16 | 92414 | 1 | B64 | 20.47 | |
| | 10 | AL42 | | AM 12, 13 | 16150 | 2VP62 | 1-3/8 | 16003 | 2BK100 | 1-3/16 | 7950 | 1 | B62 | 20.31 | |
| | | | | AM 14, 15, 16 | 16150 | 2VP62 | 1-3/8 | 91633 | 2TB86 ^a | 1-3/16 | 92280 | 1 | BX59 | 20.47 | |
| | 10 | AL42 | | AM 17, 18, 19, 20 | 110771 | 2VP65 | 1-3/8 | 89648 | 2BK80H ^a | 1-3/16 | 92280 | 1 | BX59 | 20.37 | |
| | | | | AM 10, 11 | 16150 | 2VP62 | 1-3/8 | 16168 | 2BK110 | 1-3/16 | 92414 | 1 | B64 | 20.47 | |
| | 10 | AL42 | | AM 12, 13 | 16150 | 2VP62 | 1-3/8 | 16003 | 2BK100 | 1-3/16 | 7950 | 1 | B62 | 20.31 | |
| | | | | AM 14, 15, 16 | 16150 | 2VP62 | 1-3/8 | 91633 | 2TB86 ^a | 1-3/16 | 92280 | 1 | BX59 | 20.47 | |
| 10 | AL42 | AM 17, 18, 19, 20 | 110771 | 2VP65 | 1-3/8 | 89648 | 2BK80H ^a | 1-3/16 | 92280 | 1 | BX59 | 20.37 | | | |

(continued)

Drive Components for Premium Efficiency Motors (cont'd)

| Unit Sizes | Motor | | Voltage Option | Drive AM Nos. | | | Motor Pulley | | | Blower Pulley | | | Belt | | *Shaft Centerline |
|-------------------------|-----------|-------------------------|--|------------------------------|---------------------|-------------------------|--------------|--------|----------------------|---------------|--------|-----|-------|-------|-------------------|
| | HP | Opt | | (See Key, chart on page 31.) | P/N | Mfr # | Bore | P/N | Mfr # | Bore | P/N | Qty | Mfr # | | |
| All "BL" Units (cont'd) | **15 & 20 | AL43 | AK5 (208/3); AK6 (230/3); AK7 (460/3); AK8 (575/3) | **AM 15, 16, 17 | 148593 | 2MVP70B84P ^D | 1-5/8 | 113811 | 2BK120H ^F | 1-7/16 | 80841 | 3 | BX67 | 20.47 | |
| | | AL44 | | **AM 18, 19, 20, 21 | 148594 | 2MVP80B94Q ^E | 1-5/8 | 114045 | 2B5V110 ^F | 1-7/16 | 148605 | 3 | BX69 | 20.53 | |
| | ***15 | AL43 | | **AM 22, 23, 24 | 148593 | 2MVP70B84P ^D | 1-5/8 | 148597 | 2B5V90 ^F | 1-7/16 | 114258 | 3 | BX64 | 20.11 | |
| | | AL44 | | ***AM 15, 16, 17 | 148593 | 2MVP70B84P ^D | 1-5/8 | 113811 | 2BK120H ^F | 1-7/16 | 80841 | 2 | BX67 | | |
| | ***20 | AL43 | | ***AM 18, 19, 20, 21 | 148594 | 2MVP80B94Q ^E | 1-5/8 | 114045 | 2B5V110 ^F | 1-7/16 | 148605 | 2 | BX69 | | |
| | | | | ***AM 22, 23, 24 | 148593 | 2MVP70B84P ^D | 1-5/8 | 148597 | 2B5V90 ^F | 1-7/16 | 114258 | 2 | BX64 | | |
| | | AL44 | | ***AM17 | 148593 | 2MVP70B84P ^D | 1-5/8 | 113811 | 2BK120H ^F | 1-7/16 | 80841 | 2 | BX67 | | |
| | | | | ***AM 18, 19, 20, 21 | 148594 | 2MVP80B94Q ^E | 1-5/8 | 114045 | 2B5V110 ^F | 1-7/16 | 148605 | 2 | BX69 | | |
| ***AM 22, 23, 24 | 148593 | 2MVP70B84P ^D | 1-5/8 | 148597 | 2B5V90 ^F | 1-7/16 | 114258 | 2 | BX64 | | | | | | |

*Distance between blower shaft and motor centerline with belts tensioned properly. ** Three-Groove Drives ***Two-Groove Drives
^A Use 1-3/16 "H" Blower Pulley Bushing, P/N 106260 ^C Use 1-7/16 "H" Blower Pulley Bushing, P/N 89659 ^E Use 1-5/8 "P2" Motor Pulley Bushing, P/N 148595
^B Use 1-3/16 "Q1" Blower Pulley Bushing, P/N 39460 ^D Use 1-7/16 "B" Blower Pulley Bushing, P/N 114033 ^F Use 1-5/8 "Q2" Motor Pulley Bushing, P/N 148596

Drive Components for Two-Speed Motors (See drive information, top of page 31.)

| Unit Sizes | Motor | | Voltage Option | Drive AM Nos. | | | Motor Pulley | | | Blower Pulley | | | Belt | | *Shaft Centerline |
|----------------|-------|------|---------------------------------------|------------------------------|--------|------------|--------------|--------|---------------------|---------------|--------|-----|-------|-------|-------------------|
| | HP | Opt | | (See Key, chart on page 31.) | P/N | Mfr # | Bore | P/N | Mfr # | Bore | P/N | Qty | Mfr # | | |
| All "BL" Units | 1 | AL45 | AK5 (208/3); AK6 (230/3); AK7 (460/3) | AM 2, 3, 4 | 110125 | 1VP34 | 7/8 | 111862 | AK84 | 1-3/16 | 16134 | 1 | A57 | 20.94 | |
| | | | | AM 5, 6, 7 | 110125 | 1VP34 | 7/8 | 105484 | AK71H ^A | 1-3/16 | 16132 | 1 | A55 | 21.03 | |
| | 1-1/2 | AL46 | | AM 3, 4, 5, 6, 7 | 110125 | 1VP34 | 7/8 | 105484 | AK71H ^A | 1-3/16 | 16132 | 1 | A55 | 21.03 | |
| | | | | AM 8, 9, 10, 11 | 106758 | 1VL44 | 7/8 | 106256 | AK74 | 1-3/16 | 16134 | 1 | A57 | 21.11 | |
| | 2 | AL47 | | AM 4, 5 | 111681 | 1VP50 | 1-1/8 | 16156 | AK124 | 1-3/16 | 111870 | 1 | A66 | 20.92 | |
| | | | | AM 6, 7, 8, 9 | 110151 | 1VP44 | 1-1/8 | 111862 | AK84 | 1-3/16 | 92402 | 1 | A59 | 21.28 | |
| | | | | AM 10, 11, 12, 13 | 110151 | 1VP44 | 1-1/8 | 112026 | BK85H ^A | 1-3/16 | 92225 | 1 | B57 | 21.22 | |
| | | | | AM 14, 15, 16, 17, 18, 19 | 110151 | 1VP44 | 1-1/8 | 112035 | BK60 | 1-3/16 | 92239 | 1 | BX54 | 20.93 | |
| | 3 | AL48 | | AM 4, 5 | 111681 | 1VP50 | 1-1/8 | 16156 | AK124 | 1-3/16 | 111870 | 1 | A66 | 20.92 | |
| | | | | AM 6, 7, 8, 9 | 110151 | 1VP44 | 1-1/8 | 111862 | AK84 | 1-3/16 | 92402 | 1 | A59 | 21.28 | |
| | 5 | AL49 | | AM 10, 11, 12, 13 | 110151 | 1VP44 | 1-1/8 | 112026 | BK75H ^A | 1-3/16 | 92225 | 1 | B57 | 21.22 | |
| | | | | AM 14, 15, 16, 17, 18, 19 | 110151 | 1VP44 | 1-1/8 | 112035 | BK60 | 1-3/16 | 92239 | 1 | BX54 | 20.93 | |
| | | | | AM 8, 9, 10, 11 | 106257 | 2VP60 | 1-3/8 | 16168 | 2BK110 | 1-3/16 | 6010 | 1 | B65 | 21.28 | |
| | | | | AM 12, 13, 14, 15 | 106257 | 2VP60 | 1-3/8 | 16167 | 2BK90 | 1-3/16 | 92289 | 1 | BX61 | 20.93 | |
| | 7-1/2 | AL50 | | AM 16, 17, 18, 19, 20 | 106257 | 2VP60 | 1-3/8 | 92419 | 2TB70 ^B | 1-3/16 | 16143 | 1 | B59 | 21.07 | |
| | | | | AM 10, 11 | 16150 | 2VP62 | 1-3/8 | 16168 | 2BK110 | 1-3/16 | 92414 | 1 | B64 | 20.47 | |
| | | | | AM 12, 13 | 16150 | 2VP62 | 1-3/8 | 16003 | 2BK100 | 1-3/16 | 7950 | 1 | B62 | 20.31 | |
| | | | | AM 14, 15, 16 | 16150 | 2VP62 | 1-3/8 | 91633 | 2TB86 ^B | 1-3/16 | 92280 | 1 | BX59 | 20.47 | |
| | | | | AM 17, 18, 19, 20 | 110771 | 2VP65 | 1-3/8 | 89648 | 2BK80H ^A | 1-3/16 | 92280 | 1 | BX59 | 20.37 | |
| | | | | AM 13, 14, 15, 16 | 91615 | 2MPV40-B54 | 1-5/8 | 89648 | 2BK80H ^A | 1-3/16 | 92226 | 1 | B58 | 20.47 | |
| | 10 | AL51 | | AM 17, 18, 19, 20, 21, 22 | 91615 | 2MPV40-B54 | 1-5/8 | 110810 | 2BK70H ^A | 1-3/16 | 92225 | 1 | B57 | 20.37 | |

*Distance between blower shaft and motor centerline with belts tensioned properly. ** Three-Groove Drives ***Two-Groove Drives
^A Use 1-3/16 "H" Blower Pulley Bushing, P/N 106260 ^B Use 1-3/16 "Q1" Blower Pulley Bushing, P/N 39460

Drive Table for Model RBHA Blower Cabinet (See drive information, top of page 31.)

| Motor HP | Opt | Voltage Option | Drive AM Nos. | | | Motor Pulley | | | Blower Pulley | | | Belt | | *Shaft Centerline |
|----------|------|---|------------------------------|--------|-------|--------------|----------------------|-------|---------------|-------|-------|-------|-------|-------------------|
| | | | (See Key, chart on page 31.) | P/N | Mfr # | Bore | P/N | Mfr # | Bore | P/N | Qty | Mfr # | | |
| 1/4 | AL2 | AK1 (115/1); AK2 (208/1); AK3 (230/1); AK5 (208/3); AK6 (230/3); AK7 (460/3); AK8 (575/3) | AM 1, 2 | 4074 | 1VL34 | 1/2 | 111609 | AK99 | 1 | 88560 | 1 | A61 | 21.16 | |
| | | | AM 3, 4 | 4074 | 1VL34 | 1/2 | 19111 | AK84 | 1 | 50476 | 1 | A58 | 20.94 | |
| 1/3 | AL3 | | AM 1, 2 | 4074 | 1VP34 | 1/2 | 111609 | AK99 | 1 | 88560 | 1 | A61 | 21.16 | |
| | | | AM 3, 4 | 4074 | 1VP34 | 1/2 | 19111 | AK84 | 1 | 50476 | 1 | A58 | 20.94 | |
| 1/2 | AL4 | | AM 5, 6, 7 | 4074 | 1VP34 | 1/2 | 18797 | AK64 | 1 | 16132 | 1 | A55 | 21.11 | |
| | | | AM 1, 2 | 13580 | 1VL34 | 5/8 | 111609 | AK99 | 1 | 16137 | 1 | A62 | 21.66 | |
| | | | AM 3, 4, 5 | 105476 | 1VL44 | 5/8 | 16153 | AK104 | 1 | 80836 | 1 | A64 | 21.59 | |
| | | | AM 6, 7, 8 | 13580 | 1VL34 | 5/8 | 18797 | AK64 | 1 | 16133 | 1 | A56 | 21.61 | |
| | | | AM 9, 10, 11 | 13013 | 1VM50 | 5/8 | 19111 | AK84 | 1 | 88560 | 1 | A61 | 21.34 | |
| | | | AM 3, 4, 5 | 105476 | 1VL44 | 5/8 | 16153 | AK104 | 1 | 80836 | 1 | A64 | 21.59 | |
| 3/4 | AL5 | | AM 6, 7, 8 | 13580 | 1VL34 | 5/8 | 18797 | AK64 | 1 | 16133 | 1 | A56 | 21.61 | |
| | | | AM 9, 10, 11 | 13013 | 1VM50 | 5/8 | 19111 | AK84 | 1 | 88560 | 1 | A61 | 21.34 | |
| | | AM 12, 13, 14, 15, 16, 17, 18 | 7962 | 1VL40 | 5/8 | 111689 | AK49 | 1 | 16131 | 1 | A54 | 21.44 | | |
| | | AM 5, 6, 7 | 13013 | 1VM50 | 5/8 | 16153 | AK104 | 1 | 111870 | 1 | A66 | 22.16 | | |
| 1 | AL6 | AM 8, 9, 10, 11 | 13013 | 1VM50 | 5/8 | 19111 | AK84 | 1 | 88560 | 1 | A61 | 21.34 | | |
| | | AM 12, 13, 14, 15, 16, 17, 18 | 7962 | 1VL40 | 5/8 | 111689 | AK49 | 1 | 16131 | 1 | A54 | 21.44 | | |
| | | AM 5, 6, 7 | 13013 | 1VM50 | 5/8 | 16153 | AK104 | 1 | 111870 | 1 | A66 | 22.16 | | |
| 1-1/2 | AL7 | AM 8, 9, 10, 11 | 13013 | 1VM50 | 5/8 | 19111 | AK84 | 1 | 88560 | 1 | A61 | 21.34 | | |
| | | AM 12, 13, 14, 15, 16, 17, 18 | 7962 | 1VL40 | 5/8 | 111689 | AK49 | 1 | 16131 | 1 | A54 | 21.44 | | |
| | | AM 19, 20, 21, 22, 23 | 105476 | 1VL44 | 5/8 | 105481 | AK46 | 1 | 16131 | 1 | A54 | 21.37 | | |
| | | AM 9, 10, 11 | 13013 | 1VM50 | 5/8 | 19111 | AK84 | 1 | 88560 | 1 | A61 | 21.34 | | |
| 2 | AL8 | AM 12, 13, 14, 15, 16, 17, 18 | 7962 | 1VL40 | 5/8 | 111689 | AK49 | 1 | 16131 | 1 | A54 | 21.44 | | |
| | | AM 19, 20, 21, 22, 23 | 105476 | 1VL44 | 5/8 | 105481 | AK46 | 1 | 16131 | 1 | A54 | 21.37 | | |
| | | AM 8, 9, 10, 11 | | 7/8 | 19111 | AK84 | 1 | 88560 | 1 | A61 | 21.34 | | | |
| 3 | AL9 | AM 12, 13, 14, 15, 16, 17, 18 | 106758 | 1VL44 | 7/8 | 111689 | AK49 | 1 | 16131 | 1 | A54 | 21.44 | | |
| | | AM 19, 20, 21, 22, 23 | 106758 | 1VL44 | 7/8 | 105481 | AK46 | 1 | 16131 | 1 | A54 | 21.37 | | |
| | | AM 11, 12, 13, 14, 15 | 106758 | 1VL44 | 7/8 | 101414 | BK130 | 1 | 16145 | 1 | B58 | 21.54 | | |
| | | AM 16, 17, 18, 19 | 106748 | 1VL40 | 7/8 | 19111 | AK84 | 1 | 50477 | 1 | A60 | 21.57 | | |
| | | AM 20, 21, 22, 23 | 37451 | 1VM50 | 7/8 | 16153 | AK104 | 1 | 111870 | 1 | A66 | 22.17 | | |
| 5 | AL10 | AM 11, 12, 13, 14, 15 | 106758 | 1VL44 | 7/8 | 101414 | BK130 | 1 | 16145 | 1 | B58 | 21.54 | | |
| | | AM 16, 17, 18, 19 | 106748 | 1VL40 | 7/8 | 19111 | AK84 | 1 | 50477 | 1 | A60 | 21.57 | | |
| | | AM 20, 21, 22, 23 | 37451 | 1VM50 | 7/8 | 16153 | AK104 | 1 | 111870 | 1 | A66 | 22.17 | | |
| 5 | AL10 | AM 13, 14, 15, 16, 17 | 87500 | 2VP36 | 7/8 | 89649 | 2BK100H ^A | 1 | 92411 | 1 | BX62 | 21.54 | | |
| | | AM 18, 19, 20, 21, 22, 23, 24 | 6599 | 2VP42 | 7/8 | 87504 | 2AK84 | 1 | 50477 | 1 | A60 | 21.43 | | |

* Distance between blower shaft and motor centerline with belts tensioned properly.
^A Use 1" x H Blower Pulley Bushing, P/N 92203

Replacement Filters - Model Series RGB and RPB and Blower Cabinet Model RBA

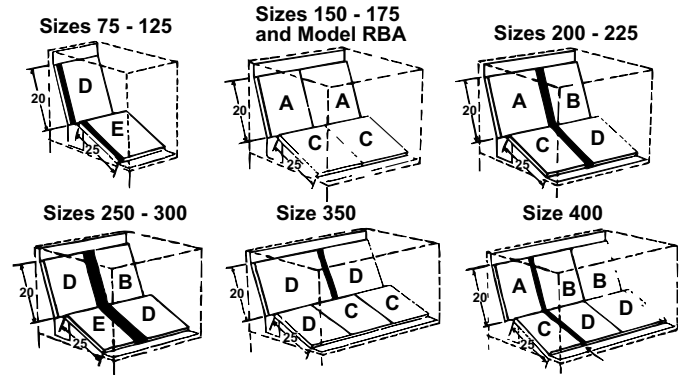
Filter Arrangements

APPLICATION NOTES:

Do not use flat disposable filters on Models 75-125 with over 2999 CFM; on Models 150-175 with over 4499 CFM, or Models 200-225 with over 4999 CFM; on Models 250-300 with over 5499 CFM; on Model 350 with over 6499 CFM; or on Model 400 with over 7399 CFM.

Do not use pleated filters on Models 75-125 with over 3999 CFM.

| Type of Filter | | Average Efficiency | Average Arrestance |
|--------------------|----|--------------------|--------------------|
| Disposable | 1" | Less than 20% | 75% |
| | 2" | Less than 20% | 80% |
| Permanent | 1" | Less than 20% | 53% to 60% |
| | 2" | Less than 20% | 64% to 67% |
| Pleated Disposable | 1" | 30% to 35% | 90% to 93% |
| | 2" | 30% to 35% | 90% to 93% |



| Filter Code | Filter Size | Disposable | Permanent | Pleated | Unit Size and Quantity of Filters Required | | | | | |
|--|----------------|---|---------------|---------------|--|-------------|---------|---------|-----|-----|
| | | 2" (If replacing 1" filters, see NOTE right.) | | | 75/100/125 | 150/175/RBA | 200/225 | 250/300 | 350 | 400 |
| A | 16 x 20 | 104097 | 101620 | 104110 | -- | 2 | 1 | -- | -- | 1 |
| B | 20 x 20 | 104098 | 101621 | 104111 | -- | -- | 1 | 1 | -- | 2 |
| C | 16 x 25 | 104099 | 101622 | 104112 | -- | 2 | 1 | -- | 2 | 1 |
| D | 20 x 25 | 104100 | 101623 | 104113 | 1 | -- | 1 | 2 | 3 | 2 |
| E | 25 x 25 | 119776 | 119780 | 119778 | 1 | -- | -- | 1 | -- | -- |
| Blockoff Plates ("black" in the illustrations below) | | | | | | | | | | |
| Horizontal | | 104095 | | | 1 | -- | 1 | 4 | -- | 1 |
| Vertical | | 104091 | | | 1 | -- | 1 | 1 | 1 | 1 |

NOTE: If replacing 1" filters, replace with locally supplied filters in the size and type listed. Quantities listed by size and arrangements illustrated above apply to both 1" and 2" filters. Blockoff plates for 1" filters are not available; reuse original blockoff plates.

Replacement Filters/Blockoff Plates - Model Series RGBL/ RPBL/ PGBL & Blower Cabinet Model RBL

The filter information below and on the top of page 38 applies to Model Series RPBL, RGBL, PGBL and RBL manufactured beginning 9/91; filter information on the bottom of page 38 applies to units manufactured prior to 9/91.)

| Filter Type and Application (If replacing 1" filters; see NOTE below.) | Qty | Size | 2" Filter | Qty | Size | 2" Filter | Qty | Size | 2" Filter | |
|--|-------------------------------------|---------|---------------|------------------------|---------|---------------|-------------------------|---------|---------------|--|
| | RGBL, RPBL, and PGBL 400, 800, 1200 | | | RGBL and RPBL 500, 600 | | | RGBL and RPBL 700, 1050 | | | |
| 2" Disposable | 2 | 16 x 16 | 104101 | 1 | 16 x 25 | 104099 | 2 | 16 x 25 | 104099 | |
| | 1 | 16 x 25 | 104099 | 1 | 16 x 20 | 104097 | 4 | 12 x 30 | 114323 | |
| | 4 | 12 x 25 | 114318 | 4 | 12 x 20 | 114317 | 4 | 12 x 20 | 114317 | |
| | 4 | 12 x 30 | 114323 | 4 | 12 x 25 | 114318 | | | | |
| 2" Permanent | 2 | 16 x 16 | 104103 | 1 | 16 x 20 | 101620 | 2 | 16 x 25 | 101622 | |
| | 8 | 12 x 16 | 114325 | 4 | 12 x 20 | 114321 | 8 | 12 x 26 | 114322 | |
| | 1 | 16 x 25 | 101622 | 1 | 16 x 25 | 101622 | | | | |
| | 4 | 12 x 26 | 114322 | 4 | 12 x 26 | 114322 | | | | |
| 2" Pleated | 2 | 16 x 16 | 104109 | 1 | 16 x 20 | 104110 | 2 | 16 x 25 | 104112 | |
| | 4 | 12 x 25 | 114320 | 1 | 16 x 25 | 104112 | 4 | 12 x 32 | 104324 | |
| | 1 | 16 x 25 | 104112 | 4 | 12 x 20 | 114319 | 4 | 12 x 20 | 114319 | |
| | 4 | 12 x 32 | 114324 | 4 | 12 x 25 | 114320 | | | | |
| For Model RPDBL | | | | | | | | | | |
| RPDBL 800, 1600 | | | | | | | | | | |
| 2" Disposable | 4 | 16 x 16 | 104101 | 2 | 16 x 25 | 104099 | 4 | 16 x 25 | 104099 | |
| | 2 | 16 x 25 | 104099 | 2 | 16 x 20 | 104097 | 8 | 12 x 30 | 114323 | |
| | 8 | 12 x 25 | 114318 | 8 | 12 x 20 | 114317 | 8 | 12 x 20 | 114317 | |
| | 8 | 12 x 30 | 114323 | 8 | 12 x 25 | 114318 | | | | |
| 2" Permanent | 4 | 16 x 16 | 104103 | 2 | 16 x 20 | 101620 | 4 | 16 x 25 | 101622 | |
| | 16 | 12 x 16 | 114325 | 8 | 12 x 20 | 114321 | 16 | 12 x 26 | 114322 | |
| | 2 | 16 x 25 | 101622 | 2 | 16 x 25 | 101622 | | | | |
| | 8 | 12 x 26 | 114322 | 8 | 12 x 26 | 114322 | | | | |
| 2" Pleated | 2 | 16 x 16 | 104109 | 2 | 16 x 20 | 104110 | 4 | 16 x 25 | 104112 | |
| | 8 | 12 x 25 | 114320 | 2 | 16 x 25 | 104112 | 8 | 12 x 32 | 104324 | |
| | 2 | 16 x 25 | 104112 | 8 | 12 x 20 | 114319 | 8 | 12 x 20 | 114319 | |
| | 8 | 12 x 32 | 114324 | 8 | 12 x 25 | 114320 | | | | |

NOTE: If replacing 1" filters, replace with locally supplied filters in the size and type listed. Quantities listed by size and arrangements illustrated on top of page 38 apply to both 1" and 2" filters.

Replacement Filters/Blockoff Plates - currently manufactured "BL" Cabinets

Filter Arrangements for 1" or 2" Disposable Filters (Options AW2 and AW7)

| | |
|---|---------|
| A | 16 x 16 |
| B | 16 x 25 |
| C | 12 x 25 |
| D | 12 x 30 |

Blockoff Plates:
(1) P/N 106334;
(4) P/N 114337

| | |
|---|---------|
| A | 16 x 16 |
| B | 16 x 25 |
| C | 12 x 20 |
| D | 12 x 25 |

Blockoff Plates:
(1) P/N 106332;
(4) P/N 114336

| | |
|---|---------|
| A | 16 x 25 |
| B | 12 x 20 |
| C | 12 x 30 |

Blockoff Plates:
(1) P/N 106332;
(4) P/N 114336

Filter Arrangements for 1" or 2" Disposable Pleated Filters (Options AW10 and AW11)

| | |
|---|---------|
| A | 16 x 16 |
| B | 16 x 25 |
| C | 12 x 25 |
| D | 12 x 32 |

Blockoff Plates:
(1) P/N 106334;
(4) P/N 114335

| | |
|---|---------|
| A | 16 x 20 |
| B | 16 x 25 |
| C | 12 x 20 |
| D | 12 x 25 |

Blockoff Plates:
(1) P/N 106332;
(4) P/N 114337

| | |
|---|---------|
| A | 16 x 25 |
| B | 12 x 20 |
| C | 12 x 32 |

Blockoff Plate:
(1) P/N 106333

Filter Arrangements for 1" or 2" Permanent Filters (Options AW8 and AW9)

| | |
|---|---------|
| A | 16 x 16 |
| B | 16 x 25 |
| C | 12 x 16 |
| D | 12 x 26 |

Blockoff Plate:
(1) P/N 106334

| | |
|---|---------|
| A | 16 x 20 |
| B | 16 x 25 |
| C | 12 x 20 |
| D | 12 x 26 |

Blockoff Plate:
(1) P/N 106334

| | |
|---|---------|
| A | 16 x 25 |
| B | 12 x 26 |

Blockoff Plate:
(1) P/N 106332

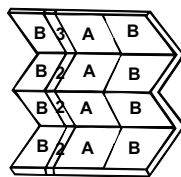
Replacement Filters/Blockoff Plates for Model Series RGLB/RPBL and Blower Cabinet Model RBL manufactured prior to 9/91

| Filter Code | Filter Size | * 2" | | | | Unit Size and Quantity of Filters Required | | | |
|-------------|-------------|----------------|---------------|--------------|-----|--|----------|--------------|--|
| | | Disposable AW7 | Permanent AW9 | Pleated AW11 | 500 | 600 | 700/1050 | 400/800/1200 | |
| A | 16 x 16 | 104101 | 104103 | 104109 | -- | -- | -- | 4 | |
| B | 16 x 20 | 104097 | 101620 | 104110 | 4 | 4 | -- | 8 | |
| C | 16 x 25 | 104099 | 101622 | 104112 | 4 | 4 | 8 | -- | |

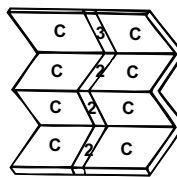
| Blockoff Plates | | |
|-----------------|--------|---------------|
| Code | P/N | "X" |
| 1 | 106332 | 1-1/2" (38mm) |
| 2 | 106333 | 2" (51mm) |
| 3 | 106334 | 5/8" (16mm) |

* If replacing 1" filters, replace with locally supplied filters in the size and type listed. Quantities are listed above by size, arrangements are illustrated right, and instructions below apply to both 1" and 2" filters.

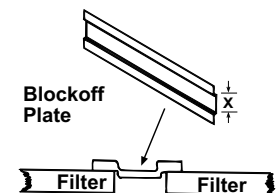
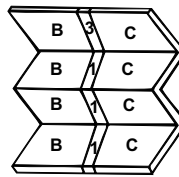
Sizes 400/800/1200



Sizes 700/1050



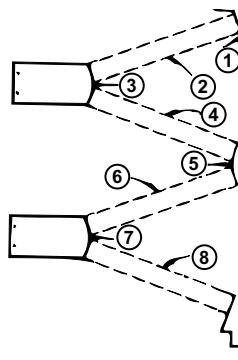
Sizes 500/600



Filter Removal and Installation Instructions - Applies only to RGLB and RPBL Series manufactured prior to 9/91

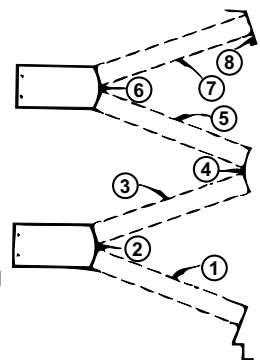
Filter Removal

- Remove screw (1) from the filter rack and remove the retaining angle.
- Rotate filter down and remove from unit. Slide next filter over and rotate down and out. Repeat for remaining filters in top row.
- Remove screw (1) from filter rack and remove retaining angle.
- Rotate filter up and out of rack. Slide the next filter over and rotate up and out. Repeat for remaining filters in the row.
- 5-8. Repeat Steps 3 and 4.
9. See filter installation instruction label.



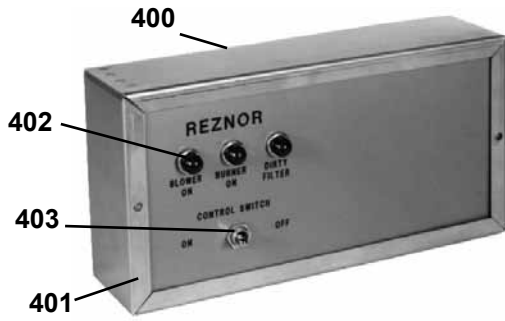
Filter Installation

- Insert filters in the bottom row.
- Replace retaining angle and insert screws (1).
- Insert filters in the next level.
- Replace retaining angle and insert screw (1).
- 5-7. Repeat Steps 3 and 4.
8. Replace retaining angle and insert screws (2).
9. Replace filter cabinet door and secure all latches and screws.



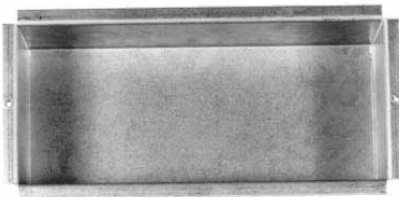
Optional Remote Console

Optional RC style remote console includes a mounting ring so that the console may be either recessed or wall mounted. The box is of 16 gauge steel with knockout holes for field wiring. The cover is made of plastic with custom engraving. Order replacement parts for Option RC remote console by part number.



| Code | Description | P/N |
|------|--|---------------|
| 400 | Remote Console Box - 10-1/16 x 6-5/8 x 2-5/8 | 107010 |
| | Remote Console Box - 15-1/16 x 6-5/8 x 2-5/8 | 107011 |
| 401 | Mounting Ring for 10-1/16" long box | 107014 |
| | Mounting Ring for 15-1/16" long box | 107015 |
| 402 | Light for Red Lens, Solico #5TD1L-R-B5 | 101889 |
| 403 | SPDT Switch, Cutler Hammer #7505K6 | 101901 |
| 404 | DPDT Switch, Cutler Hammer #7561K6 | 101900 |
| 405 | Single-Stage Heating Thermostat | 255350 |
| | Two-Stage Heating Thermostat | 220630 |
| 406 | Single-Stage Heating/Cooling Thermostat | 220632 |
| | Electronic Heating/Cooling Thermostat | 221038 |
| 407 | Potentiometer (See Code 387, page 23) | 16110 |

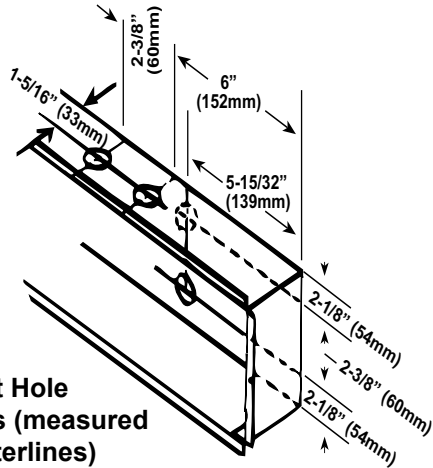
Code
400



Remote Console Components by Option - Options RC1-12

| Component | Function | In Options | Code |
|----------------------------------|--|-----------------------|------|
| Blower On Light | Lights when blower is operating | RC 1-12 | 402 |
| Burner On Light | Lights when burners are lit | RC 1-12 | 402 |
| Dirty Filter Light | Lights when the pressure switch indicates that filters need to be cleaned or replaced | RC 2, 4, 6, 8, 12 | 402 |
| On/Off Control Switch | On position energizes the unit for thermostat control. "Off" position de-energizes the unit and closes optional automatically controlled outside air dampers | RC 3, 4, 7, 8, 11, 12 | 403 |
| Summer/Winter/Off Control Switch | Summer position energizes the blower only. Winter position energizes the unit for thermostat control. "Off" position de-energizes the unit and closes optional automatically controlled outside air dampers. | RC 5, 6, 10 | 404 |
| Heat/Vent/Cool Control Switch | Heat position energizes the unit for thermostat control. "Vent" position energizes the blower and opens optional automatically controlled outside air dampers. "Cool" position energizes the blower, the | RC 7, 8, 11, 12 | 404 |
| Cooling Light | Lights when cooling system is operating | RC 7, 9, 11, 12 | 402 |

Knockout Hole Locations (measured from centerlines)



Console Dimensions (wall mounted - not recessed)

| Console Options | Optional Control | Length* | Height* | Depth |
|--------------------------------------|------------------|---------|---------|--------|
| RC 1, 2, 3, 4, 5, 6, 7, 8, 9, 10, 12 | without | 10-3/4" | 7-5/8" | 2-5/8" |
| RC 1, 2, 3, 4, 5, 6, 9 | with | 10-3/4" | 7-5/8" | 2-5/8" |
| RC 7, 8, 10, 12 | with | 15-3/4" | 7-5/8" | 2-5/8" |
| RC 11 | with & without | 15-3/4" | 7-5/8" | 2-5/8" |

* Subtract 5/8" when recessing console (not using wall-mounting ring)

Thermostats (Wall mounted Option CL or mounted on the remote console, Option RCT)

1-Stg Heat/Cool, 24v snap acting thermostat (50-90°F) w/fan auto-on & cool-off-heat switches



2-Stg Heat/Cool, 24v digital thermostat (40-90°F) w/fan auto-on function

P/N **220630** (same as CL22 & RCT2)



Electronic modulating room override (60-85°F), low voltage for makeup air



1-Stg Heat/Cool, 24v programmable thermostat (45-88°F) w/fan auto-on and cool/off/heat.



Electronic, 24v programmable thermostat, 2-stg heat and/or cooling



Disconnect Switches

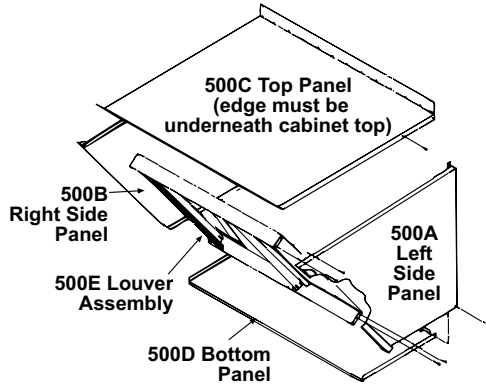


| Description | P/N's - USA | | | | P/N's - Canada | | | |
|-----------------------------------|---------------|-------------|---------------|-------------|----------------|-------------|---------------|-------------|
| | Outdoor | Same as Opt | Indoor | Same as Opt | Outdoor | Same as Opt | Indoor | Same as Opt |
| 30 Amp 240V Non-Fusible | 40269 | CP5 | 40267 | CP1 | | | | |
| 30 Amp 240V Fusible (less fuses) | 87147 | CP6 | 40268 | CP2 | | | | |
| 30 Amp 600V Non-Fusible | 50367 | CP7 | 50365 | CP3 | 208054 | CP59 | 208053 | CP58 |
| 30 Amp 600V Fusible (less fuses) | 50368 | CP8 | 50366 | CP4 | 208046 | CP42 | 208046 | CP41 |
| 60 Amp 240V Non-Fusible | 161469 | CP30 | 161462 | CP21 | | | | |
| 60 Amp 240V Fusible (less fuses) | 161459 | CP17 | 161459 | CP17 | | | | |
| 60 Amp 600V Non-Fusible | 155012 | CP38 | 161464 | CP23 | 208056 | CP61 | 208055 | CP60 |
| 60 Amp 600V Fusible (less fuses) | 161461 | CP20 | 161461 | CP20 | 208048 | CP44 | 208047 | CP43 |
| 100 Amp 240V Non-Fusible | 162834 | CP31 | 161463 | CP22 | | | | |
| 100 Amp 240V Fusible (less fuses) | 90973 | CP18 | 90973 | CP18 | | | | |
| 100 Amp 600V Non-Fusible | 155013 | CP39 | 164330 | CP24 | 208058 | CP63 | 208057 | CP62 |
| 100 Amp 600V Fusible (less fuses) | 155010 | CP36 | 155010 | CP36 | 208050 | CP46 | 208049 | CP45 |

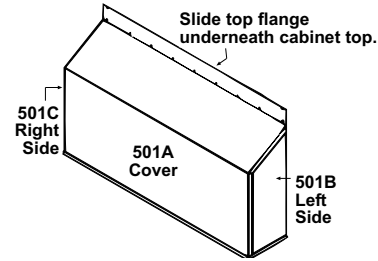
Optional Outside Air Inlet Hood (Weatherhood)

| Code | Model RPBL, RGLB Sizes | | | | 500/600 | 750/1050 | 400/800/ 1200/RBL |
|------|---|------------|-------------|---------|---------|----------|----------------------|
| | Model (C)(H)RGB/RPB Sizes | 75/100/125 | 150/175/RBA | 200/225 | 250/300 | 350 | 400 |
| 500 | Complete 100% Outside Air Inlet Hood | 106201 | 106202 | 106203 | 106204 | 106205 | 106206 |
| 500A | Weatherhood Left Side | 100216 | | | | | |
| 500B | Weatherhood Right Side | 100217 | | | | | |
| 500C | Weatherhood Top | 100227 | 100228 | 100229 | 100230 | 100231 | 100232 |
| 500D | Weatherhood Bottom | 100234 | 100235 | 100236 | 100237 | 100238 | 100239 |
| 500E | Louver Assembly | 103773 | 103774 | 103775 | 103776 | 103777 | 103778 |
| 501 | 30% Outside Air Inlet Hood Assembly (part of Options AR6 and AR7) | 105117 | 105118 | 105119 | 105120 | 105121 | 105122 |
| 501A | 30% Air Inlet Hood Cover | 103797 | 103798 | 103799 | 103800 | 103801 | 103802 |
| 501B | 30% Air Inlet Hood Right Side | 100264 | | | | | |
| 501C | 30% Air Inlet Hood Left Side | 100265 | | | | | |

Code 500 - Screened Outside Air Hood for 100% Outside Air



Code 501 - 30% Outside Air Hood (Part of Options AR6 and AR7) -- apply to outdoor units only



Optional Cooling Coil Cabinet - Applies to Model Series RGB/RPB and Model Series RGLB/RPBL manufactured beginning 5/99 (Options AU 2, 3, 11, 12, 13, 14). Parts listed here do not apply to cooling coil cabinet Option AU1 manufactured prior to 5/99.)

NOTES: A system with a cooling coil cabinet (Option AU2, AU3, AU11, AU12, AU13, or AU14) requires a special curb cap. This cooling coil cabinet is designed to be factory ordered with the system. Although it is shipped separately for field installation, this cooling coil cabinet is not designed to be added to an already installed system.

For a replacement cooling coil, contact your distributor; supply all model and rating plate information.

| Coil Cabinet Option | Description |
|---------------------|---------------------------------------|
| Opt* | Type of Coil Discharge |
| AU2 | Chilled Water Horizontal |
| AU3 | DX Horizontal |
| AU11 | Chilled Water Vertical |
| AU12 | Chilled Water Vertical with Dampers** |
| AU13 | DX Vertical |
| AU14 | DX Vertical with Dampers** |
| AY3 | Double Wall Cabinet Construction |

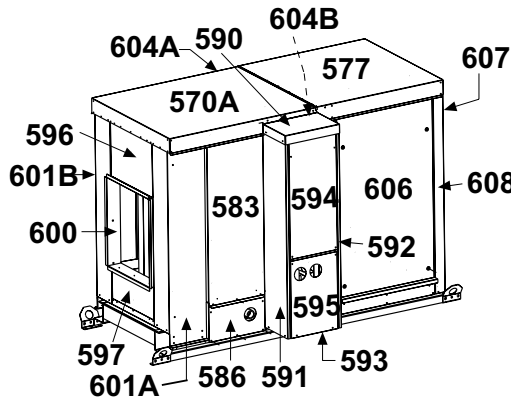
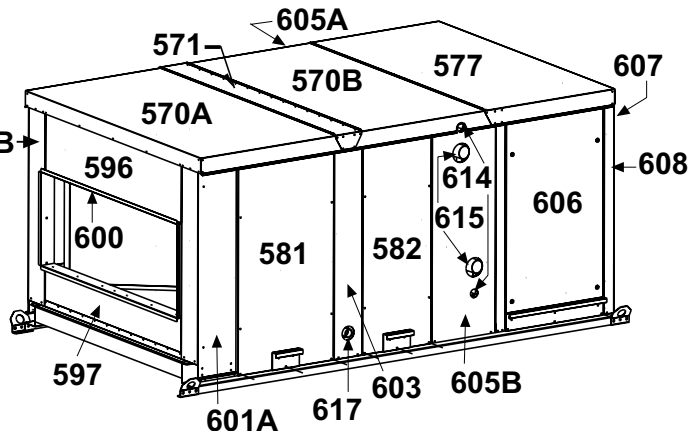


Illustration is a Coil Cabinet for a **DX Coil** with a **Downturn Plenum (Vertical Discharge)** for **Sizes 75 - 225**

* Refer to Option AU column in replacement parts table below.

**Replacement information for discharge dampers is the same as on page 42.

Illustration is a Coil Cabinet for a **Chilled Water Coil** with a **Downturn Plenum (Vertical Discharge)** for **Sizes 250 - 1200**



| Code | Model RPBL, RGLB, PGLB Sizes | | | | 500, 600 | 700, 1050 | 400, 800, 1200 | | |
|------|---|----------------------|------------------------|--------|--------------|-----------|----------------|------------|------------|
| | Model (C)(H)RG/RPB Sizes | | | | 75, 100, 125 | 150, 175 | 200, 225 | | |
| | Description | *Opt AU | Construction | P/N | | | | | |
| 570A | Coil Cabinet Top | 2, 3, 11, 12, 13, 14 | Single and Double Wall | 172314 | 172353 | 172354 | 172416 | 172419 | 172422 |
| 570B | | | | -- | -- | -- | 172417 | 172420 | 172423 |
| 571 | Top Filler (between top sections) | | | -- | -- | -- | 105629 | 105630 | 105631 |
| 572 | Gasket for Top Filler (under 571) | | | -- | -- | -- | (2) 103608 | (2) 103609 | (2) 103610 |
| 573 | Inner Top Support Insulation | | | -- | -- | -- | 172536 | 172535 | 172534 |
| 574 | Inner Top Support | | | -- | -- | -- | 172482 | 172483 | 172484 |
| 575 | Top Insulation Retainer | | | 172365 | 172366 | 172367 | (2) 172368 | (2) 172400 | (2) 172369 |
| 576 | Top Insulation | | | 172516 | 172517 | 172518 | (2) 172519 | (2) 172521 | (2) 172520 |
| 577 | Plenum Cabinet Top | | | 100063 | 100064 | 100065 | 100066 | 100067 | 100068 |
| 578 | Gasket between Coil & Plenum Cabinet Tops | | | 103605 | 103606 | 103607 | 103608 | 103609 | 103610 |
| 579 | Plenum Cbnt Top Insulation Retainer | 100253 | 100254 | 100255 | 100256 | 100257 | 100258 | | |
| 580 | Plenum Cabinet Top Insulation | 103592 | 103593 | 103594 | 103595 | 103596 | 103597 | | |
| 581 | Coil Cabinet Door Assembly | 2, 3, 11, 12, 13, 14 | Single Wall | 172501 | 172502 | 172503 | (3) 172498 | (3) 172499 | (3) 172500 |
| | | | Double Wall | 172337 | 172338 | 172339 | 172340 | 172341 | 172342 |
| 582 | Small Coil Cabinet Door Assembly | | Single Wall | -- | -- | -- | 174012 | 174013 | 174014 |
| | | | Double Wall | -- | -- | -- | 172343 | 172344 | 172345 |
| 583 | Top of Split Access Door | 2, 11, 12 | Single and Double Wall | 172373 | 172374 | 172375 | -- | -- | -- |
| 584 | Insulation for Code 583 | | 172525 | 172526 | 172527 | -- | -- | -- | |
| 585 | Liner for Code 583 | | 172486 | 172487 | 172488 | -- | -- | -- | |
| 586 | Btm of Split Access Door | | 172370 | 172371 | 172372 | -- | -- | -- | |
| 587 | Insulation for Code 586 | | 172522 | 172523 | 172524 | -- | -- | -- | |
| 588 | Liner for Code 586 | | 172495 | 172496 | 172497 | -- | -- | -- | |
| 590 | Extended Cabinet (Doghouse) Section Top | 3, 13, 14 | Single and Double Wall | 172326 | | | | | |
| 591 | Left Side of Extended Section | | | 172325 | | | | | |
| 592 | Right Side of Extended Section | | | 172324 | | | | | |
| 593 | Bottom of Extended Section | | | 172327 | | | | | |
| 594 | Top Door of Extended Section | | | 172460 | | | | | |
| 595 | Btm Door of Extended Section | | | 172459 | | | | | |

| Code | Model RPBL, RGLB, PGLB Sizes | | | | 500, 600 | 700, 1050 | 400, 800, 1200 | | | |
|------|---|----------------------|-------------------------|-------------------------------|-----------------|------------|----------------|-------------------------|------------|--------|
| | Model (C)(H)RG/RPB Sizes | | | | 75, 100 | 125 | 150, 175 | | | |
| | Description | *Opt AU | Construction | P/N | | | | | | |
| 596 | Top Inlet Side Panel | 2, 3, 11, 12, 13, 14 | Single and Double Wall | 172480 | 172440 | 172435 | 172436 | 172437 | 172438 | 172439 |
| 597 | Bottom Inlet Side Panel | | | 100036 | 100037 | 100038 | 100039 | 100040 | 100041 | 100042 |
| 598 | Top Discharge Side Panel | | | 172440 | 172435 | 172436 | 172437 | 172438 | 172439 | |
| 599 | Bottom Discharge Side Panel | | | 100037 | 100038 | 100039 | 100040 | 100041 | 100042 | |
| 600 | Inlet Duct Flange Assembly | | | 107394 | 107395 | 107396 | 107397 | 107398 | 107399 | 107400 |
| 601A | Corner Posts - Inlet End of Cabinet | | | 172478 | 172306 | | | | | |
| 601B | | | | 172479 | 172305 | | | | | |
| 602 | Horizontal Discharge Duct Flange Assembly (not illustrated) | | | 107395 | | 107396 | 107397 | 107398 | 107399 | 107400 |
| 603 | Center Post / Center Post Cover | | | -- | -- | -- | -- | (2) 172461 / (2) 172462 | | |
| 604A | Corner Posts / Corner Post Covers - Discharge End of Coil Cabinet | | | 3, 13, 14 | 172306 / 172313 | | | | | |
| 604B | | 172321 / 172311 | | | | | | | | |
| 605A | | 172306 / 172313 | | | | | | | | |
| 605B | 2, 11, 12 | 172304 / 172311 | | | | | | | | |
| 606 | Plenum Door Panel Assembly | 11, 12, 13, 14 | Single Wall | (2) 172532 | | | | | | |
| | | | Double Wall | (2) 172310 | | | | | | |
| 607 | Plenum Cabinet End Panel Assembly | | Single Wall | 172504 | 172505 | 172506 | 172507 | 172508 | 172509 | |
| | | | Double Wall | 172346 | 172347 | 172348 | 172349 | 172350 | 172350 | |
| 608 | Plenum Cabinet Corner Post / Post Cover | | (2) 172442 / (2) 172450 | | | | | | | |
| 609 | Filler between Plenum & Coil Cabinet | | (2)172451 | | | | | | | |
| 610 | Adjustable blockoff - coil cabinet | 2, 3, 11, 12, 13, 14 | Single and Double Wall | 174683 | | | | | | |
| 611 | Adjustable blockoff - coil cabinet | | | 179336 | | | | | | |
| 612 | Adjustable blockoff gasket | | | (2) 174856 | (2) 174857 | (2) 174858 | (2) 174859 | (2) 174860 | (2) 174861 | |
| 613 | Air side blockoff | | | 174685 | | | | | | |
| 614 | Rubber Grommet - vent & drain lines | | | (2) 172528, Kennard #825 | | | | | | |
| 615 | Rubber Grommet - feed & return lines | | | (2) 172529, Kennard #2500 | | | | | | |
| 616 | Collection Box Assembly (drain) | 2, 3, 11, 12, 13, 14 | Single and Double Wall | 173568 | 173569 | 173570 | 173571 | 173572 | 173573 | |
| 617 | Rubber Grommet (drain) | | | 39852, Kennard #1625 - 1-1/4" | | | | | | |
| 618 | Drain Pan | | | (2) 172316 | (2) 173528 | (2) 173529 | (2) 173530 | (2) 173531 | (2) 173532 | |
| 619 | Door Latch Replacement Kit | | | 112974 | | | | | | |

Parts Shipped Loose (not illustrated) with a New Coil Cabinet Option AU 2, 3, 11, 12, 13, or 14

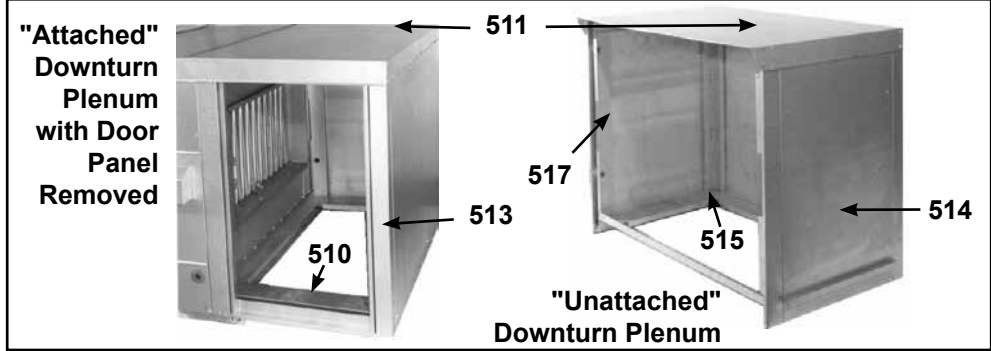
Used to attach the coil cabinet to the heat section; follow instructions in the installation manual.

| RPBL, RGLB, PGLB Sizes | | 500, 600 | 700, 1050 | 400, 800, 1200 |
|--|-----|-----------------------|-----------------|-----------------|
| (C)(H)RG/RPB Sizes | | 75, 100 | 125 | 150, 175 |
| Description | Qty | 200, 225 | 250, 300 | 350 |
| Top/Btm Duct Connectors | 2 | 107426, 14" | 107427, 16-3/4" | 107428, 21-1/4" |
| Side Duct Connectors | 2 | 107429, 27-3/4" | 106338, 36" | 106339, 41-1/2" |
| Sheetmetal Screws | 8 | 106395, 19-1/2" | | |
| Left Side Filler Panel | 1 | 105171, #14 x 3/4" lg | | |
| Right Side Filler Panel | 1 | 172357 | | |
| Top Filler Panel | 1 | 172358 | | |
| Insulation | 2 | 172363 | | |
| Sheetmetal Screws, #10 x 1/2" lg | › | (19) 11813 | (19) 11813 | (21) 11813 |
| Rubber Gasket Strip, 3/32" x 1-1/8" x ...> | 1 | (22) 11813 | (24) 11813 | (25) 11813 |
| | | (26) 11813 | (27) 11813 | (28) 11813 |

Optional Downturn Plenum and Discharge Damper - Applies to Model Series RGB/RPB, Model Series RGLB/RPBL, and Blower Cabinet Model RBL

Assembled Replacement Downturn Plenum Cabinet less Curb Cap (no dampers)

| | | |
|------------------|----------------|--------|
| RGB/RPB Series | 75-125 | 147140 |
| | 150-175 | 147141 |
| | 200-225 | 147142 |
| | 250-300 | 147143 |
| | 350 | 147144 |
| 400 | 147145 | |
| RGLB/RPBL Series | 500, 600 | 147147 |
| | 750, 1050 | 147148 |
| Model RBL | 400, 800, 1200 | 147146 |



Assembled Replacement Downturn Plenum Cabinet - If a downturn plenum cabinet needs to be added to the system at the installation site, order the appropriate P/N (above) for a factory-assembled cabinet. Since this cabinet is not factory-built on the system curb cap, a platform or legs must be field fabricated to support the downturn plenum cabinet. Do not support the downturn plenum cabinet with the ductwork. The ductwork connection and roof opening must be flashed and/or sealed to prevent water from entering the ductwork or the building.

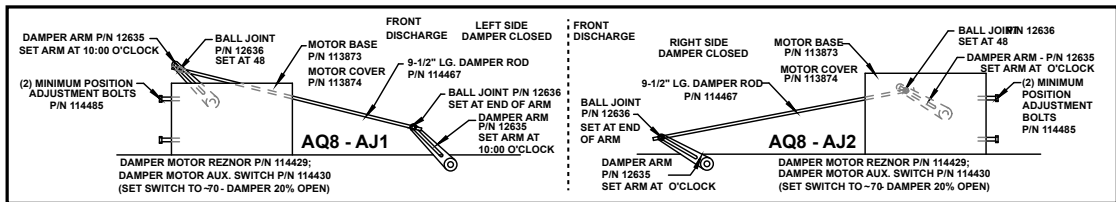
Instructions for Attaching Replacement Cabinet

- 1) If the heater is operating, turn off the gas and the electric.
- 2) Position the "open" side of the cabinet against the heater discharge. The top and side posts of the cabinet will "overlap" the heater. Fasten on both sides and across the top with field-supplied, weather-resistant sheet metal screws.
- 3) Provide field-fabricated, weather-resistant support for the cabinet.
- 4) Attach ductwork to the flange on the cabinet. Flash and/or seal the ductwork and the roof opening to prevent water from entering the building or the ductwork.
- 5) Turn on the electric and the gas. Follow the instructions on the lighting instruction plate. Check the heater for proper operation.

| Code | Model RPBL, RGLB, PGBL Sizes | | | | | | Discharge Damper and Controls (See linkage illustrations below.) | Size (see Models on chart left) | P/N |
|------|---|------------|---------|---------|---------|--------|--|---------------------------------|-----------|
| | Model (C)(H)RGB/RPB Sizes | 75/100/125 | 150/175 | 200/225 | 250/300 | 350 | | | |
| 625 | Downturn Plenum Bottom Assembly | 103586 | 103587 | 103588 | 103589 | 103590 | 103591 | | |
| 626 | Downturn Plenum Top Assembly | 103611 | 103612 | 103613 | 103614 | 103615 | 103616 | | |
| 627 | Downturn Plenum Top Assembly Insulation Retainer | 100253 | 100254 | 100255 | 100256 | 100257 | 100258 | 75/100/125 | 15868 |
| | Downturn Plenum Front Panel Assy | 103617 | 103618 | 103619 | 103620 | 103621 | 103622 | 150/175 | 15869 |
| 628 | Downturn Plenum Front Panel Assembly (w/double wall, Opt AY3) | 105547 | 105548 | 105549 | 105550 | 105551 | 105552 | 200 - 1200 | 12634 |
| | Downturn Plenum Door Assembly | (2) 100349 | | | | | | 75/100/125 | 105421 |
| 629 | Downturn Plenum Door Assembly (w/ double wall, Option AY3) | (2) 104114 | | | | | | 150/175 | 105422 |
| | Downturn Plenum Corner Post | (2) 114761 | | | | | | 200 - 1200 | 105423 |
| 630 | Downturn Plenum Corner Post Cap | (2) 100072 | | | | | | All | 113873 |
| 631 | Downturn Plenum Cabinet Leg | (2) 110537 | | | | | | | 113874 |
| 633 | Downturn Plenum Cabinet Leg Cap | 100069 | | | | | | | 114429 |
| | Downturn Plenum Cabinet Leg Cap | 100070 | | | | | | | 114430 |
| 634 | Downturn Plenum Top Insulation Clamp | (4) 110537 | | | | | | | 113775 |
| 635 | Door Latch Assy - All cabinet Doors | 112974 | | | | | | | (2) 12635 |
| | | | | | | | | | (2) 12636 |
| | | | | | | | | | 114467 |

Damper Linkage - Option AQ8

AJ1 indicates left side controls; AJ2 indicates right side controls.



Code 650 - Roof Curbs - 16" (same as CJ Options)

| Roof Curb Description | Model Series RGLB and RPBL | | | | | | Model RBL | Model Series RGB and RPB | | | | | |
|--|----------------------------|---------|--------|--------|--------|--------|-----------|--------------------------|---------|---------|---------|--------|--------|
| | 400 | 500/600 | 700 | 800 | 1050 | 1200 | | 75/100/125 | 150/175 | 200/225 | 250/300 | 350 | 400 |
| Complete Curb Package - Std System | 107251 | 107252 | 107253 | 107254 | 107255 | 107256 | 111944 | 105215 | 105216 | 105217 | 105218 | 105219 | 105220 |
| Curb Side Assembly (2) | 107257 | 107258 | 107258 | 107258 | 107259 | 107259 | 111940 | 105221 | 105221 | 105221 | 105221 | 105221 | 105221 |
| Curb Front & Back Assembly (2) | 104657 | 104655 | 104656 | 104657 | 104656 | 104657 | 104657 | 104652 | 104653 | 104654 | 104655 | 104656 | 104657 |
| Complete Curb Pkg with a Downturn Plenum | 107270 | 107271 | 107272 | 107273 | 107274 | 107275 | 111381 | 104673 | 104674 | 104675 | 104676 | 104677 | 104678 |
| Curb Side Assembly (2) | 107276 | 107277 | 107277 | 107277 | 107278 | 107278 | 111385 | 104649 | 104649 | 104649 | 104649 | 104649 | 104649 |
| Curb Front & Back Assembly (2) | 104657 | 104655 | 104656 | 104657 | 104656 | 104657 | 104657 | 104652 | 104653 | 104654 | 104655 | 104656 | 104657 |
| Complete Curb Pkg with Cooling Coil Cabinet, AU2 or AU3 | 174102 | 174103 | 174104 | 174105 | 174106 | 174107 | | | | | | | |
| Curb Side Assembly (2) | 104649 | 104649 | 104649 | 104649 | 104649 | 104649 | | | | | | | |
| Curb Side Assembly (2) | 172867 | 172868 | 172869 | 172870 | 172871 | 172872 | | | | | | | |
| Curb Front & Back Assembly (2) | 104657 | 104655 | 104656 | 104657 | 104656 | 104657 | | | | | | | |
| Complete Curb Pkg with Cooling Coil Cabinet & Downturn Plenum, AU11, AU12, AU13, or AU14 | 174108 | 174109 | 174110 | 174111 | 174112 | 174113 | | | | | | | |
| Curb Side Assembly (2) | 104649 | 104649 | 104649 | 104649 | 173606 | 173606 | | | | | | | |
| Curb Side Assembly (2) | 172879 | 172880 | 172881 | 172882 | 172883 | 172884 | | | | | | | |
| Curb Front & Back Assembly (2) | 104657 | 104655 | 104656 | 104657 | 104656 | 104657 | | | | | | | |

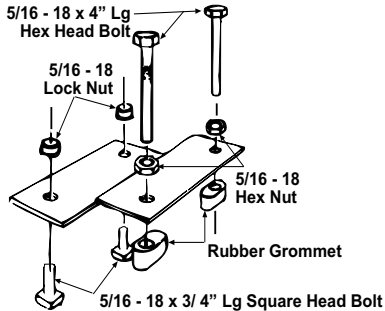
**Model RBL/RBA/RBHA
Blower Cabinets -
Blowers and Cabinet
Parts**

Model RBA is a stand-alone blower cabinet comparable in size and capacity to the cabinet that is a factory-assembled portion of packaged Models RGB/RPB 150.

Model RBHA is a Model RBA blower cabinet designed for special applications requiring inlet air temperatures above that recommended by the motor manufacturer. The blower motor, bearings, and adjustable drive are mounted in a weatherized housing external to the airstream.

Model RBL is the "stand-alone" blower cabinet comparable in size and capacity to the cabinet that is a factory-assembled portion of all RGLB and RPBL Models

Code 652 for RBA - Motor Adjustment Bracket used on RBA with less than 1HP Motor



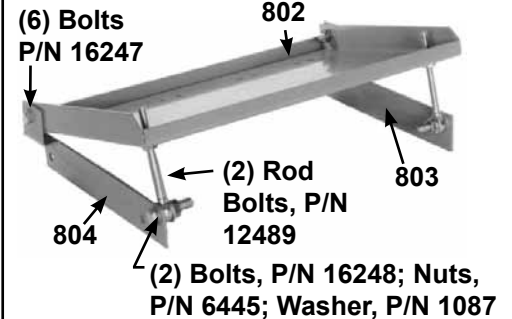
Code 652B for RBA - Replacement Hardware Bag for Code 799



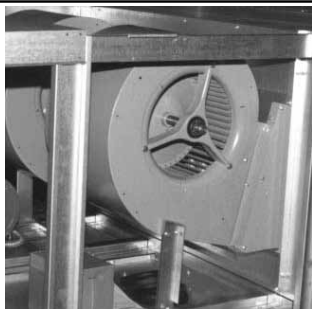
Code 653 for RBA with motors less than 1HP



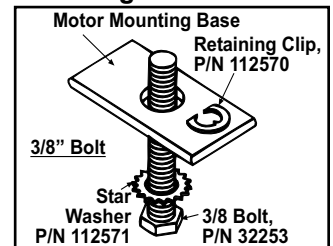
Codes 654-656 - Motor Mounting Plate for RBA and RBHA with 1-5HP Motor



Blower, bearing support and motor on a Model RBL with up to 5HP Motor

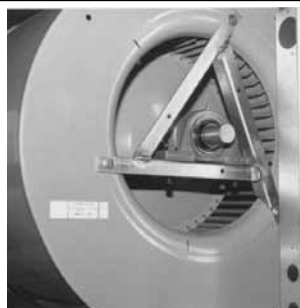


Code 657 - Motor Mounting Bolts

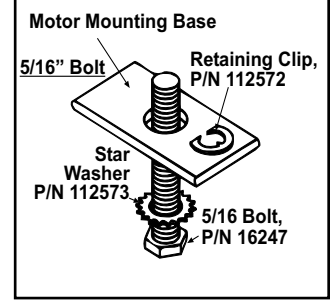
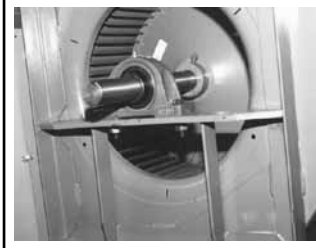


Blower Triangular Bearing Mount for RBL w/a 7-1/2 or 10 HP Motor

| Description | P/N |
|------------------------------|-----------|
| Left Bearing Support Assy | 112971 |
| Right Bearing Support Assy | 112972 |
| Pillowblock Bearing, 1-1/16" | (2)112973 |
| 1/2-13 x 2" Cap Screw GR-8 | (4)111304 |
| 1/2-13 Nut GR-8 | (4)111305 |
| 1/2 Lockwasher | (4)111306 |
| 1/4-20 Cap Screws | (6)16246 |
| 1/4-20 Lock Nut | (6)10650 |



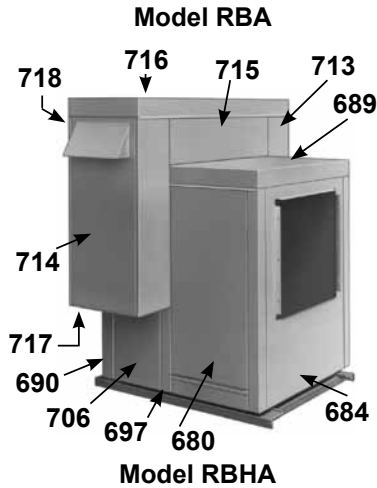
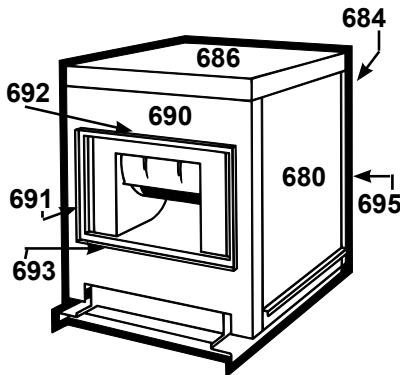
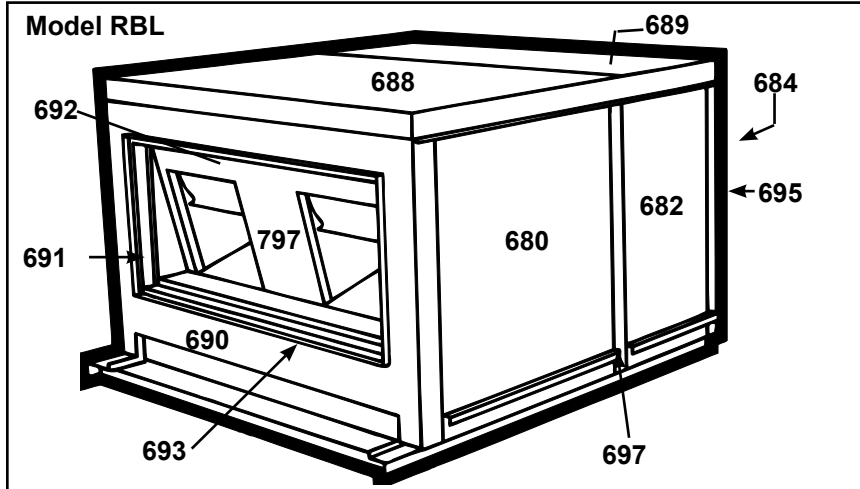
Model RBL with 15 - 20 HP Motor



| Code | Description | RBA | RBHA | RBL |
|------|--|--------------------------|-------------------|---|
| 651 | Motor Mount Support Assy | -- | -- | (2)106698 (< 15HP mtr); 149008 (15 & 20 HP) |
| 652 | Motor Adjustment Bracket Assy | 44411 (<1HP) | -- | 106274 (< 15HP mtr); 149009 (15 & 20 HP) |
| 652A | Motor Adjustment Angle | -- | -- | 105633 (< 15HP mtr); 149010 (15 & 20 HP) |
| 652B | Hardware Bag (for motors <1 HP) | 64940 | -- | -- |
| 653 | Motor Mounting Strap (for < 1 HP) | 102533, 12" | -- | -- |
| 654 | Motor Mounting Plate | 12579, 1-3HP; 12578, 5HP | 12578 | 106295 (Assembly) |
| 655 | Motor Mounting Plate Left Support | 12576 | -- | -- |
| 656 | Motor Mounting Plate Right Support | 12577 | -- | -- |
| 657 | Motor Mounting Bolts - See illustration right above. | -- | -- | -- |
| 658 | Blower Housing and Wheel | 1360, A12-12AC | 112606, A12- 12AC | (2) 14469, Lau 15 x 11 |
| 659 | Blower Shaft | 11303, 1"x22"lg | 112608, 1"x45"lg | 13589, 1-3/16x48" lg |
| 660 | Bearings | (2) 10437 | (2) 15298 | (2) 14474 (< 10 HP) |
| 661 | Bearing Bracket | -- | -- | (2) 24233 (< 10 HP) |
| 662 | Heavy Duty Blower (15-20HP Mtrs) Rt | -- | -- | 106937, 15 x 11 |
| 663 | Heavy Duty Blower (15-20HP Mtrs) Lft | -- | -- | 106938, 15 x 11 |
| 664 | Heavy Duty Blower Shaft 15-20HP Mtr | -- | -- | 106941, 1-7/16" x 53" lg |
| 665 | Blower Shaft Key for Heavy Duty Blwr | -- | -- | (4) 134638 |
| 666 | Pillowblock Bearings, 1-7/16" | -- | -- | (2) 170108 (replaces 106942) |
| 667 | Class II Blower Support - Right Side | -- | -- | 149520 |
| 668 | Class II Blower Support - Left Side | -- | -- | 149521 |
| 669 | Filter Rack Middle / Bottom | 1&2" Filters | 104059 / 104073 | -- |
| 670 | Filter Rack Top / Bottom | 1" Filters | -- | 114721 / 114713 |
| 671 | Filter Rack Rear / Front | 1" Filters | -- | (2) 114709 / (2) 114697 |
| 672 | Filter Rack Top / Bottom | 2" Filters | -- | 114725 / 114717 |
| 673 | Filter Rack Rear / Front | 2" Filters | -- | (2) 114705 / (2) 114693 |

Model RBL/RBA/RBHA Blower Cabinets - Cabinet Parts (cont'd)

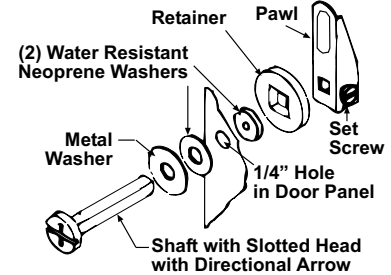
NOTE: Model RBL and RBA cabinet parts may be of either uninsulated single-wall construction, insulated single-wall construction, or double-wall construction which consists of two metal panels with insulation between. Select the replacement part that matches the original construction. Model RBHA is only available in insulated single-wall construction.



Code 683 - Replacement Door Latch Kit, P/N 112974



Assembly sequence for installing replacement door latch.



| Code | Description | RBA | RBHA | RBL | Code | Description | RBA | RBHA | RBL | |
|------|-------------------------------|-------------|--------|--------|--------|-------------------------------|------------------------------------|--------|--------|--------|
| 675 | Bottom Assembly | solid | 103753 | 112614 | -- | 691 | Duct Flange Side (2) | 110421 | 110093 | |
| | | w/opening | 112882 | -- | -- | 692 | Duct Flange Top | 110423 | 110092 | |
| 676 | Bottom Right Half | solid | -- | -- | 106244 | 693 | Duct Flange Bottom | 110422 | 110092 | |
| | | w/opening | -- | -- | 105608 | 694 | Corner Post (internal) (2) | 114761 | -- | |
| 677 | Bottom Left Half | solid | -- | -- | 106240 | 695 | Corner Post Cap (2) | 100072 | -- | |
| | | w/opening | -- | -- | 104367 | 696 | Intermediate Post (internal) | -- | 104373 | 114762 |
| 678 | Bottom Support (2) | -- | -- | 105637 | 697 | Intermediate Post Cap (2) | -- | 104372 | -- | |
| 679 | Bottom Insulation Retainers | | 114224 | 111013 | 698 | Top Front Panel (internal) | -- | 112376 | 105612 | |
| | | | 114222 | 111017 | 699 | Bottom Front Panel (internal) | -- | -- | 105616 | |
| 680 | Door Assembly (2) | uninsulated | 111281 | -- | 111281 | 700 | Vertical Blower Support - Left | -- | -- | 106299 |
| | | insulated | 100347 | 112600 | 100347 | 701 | Vertical Blower Support - Right | -- | -- | 106943 |
| | | double wall | 104115 | -- | 104118 | 702 | Horizontal Blower Support (2) | 110388 | 31576 | |
| 681 | Door support (2) | | 100073 | 112607 | -- | 703 | Cabinet Leg - Left (internal) | -- | -- | 105603 |
| 682 | Filter Section Door Assy (2) | uninsulated | -- | -- | 111282 | 704 | Cabinet Leg - Right (internal) | -- | -- | 105604 |
| | | insulated | -- | -- | 106276 | 705 | Inner Front Wrapper | 111985 | -- | -- |
| 683 | Door Latch Assembly | | 112974 | -- | 706 | Left Inner Side Panel Assy | -- | 112602 | -- | |
| 684 | End Panel Assy - 100% opening | uninsulated | 111990 | -- | 111286 | 707 | Right Inner Side Panel Assy | -- | 112603 | -- |
| | | insulated | 103639 | -- | 103643 | 708 | Mtr Base Support Rail (internal) | -- | 112704 | -- |
| | | double wall | 105542 | -- | 105546 | 709 | Bearing Block Spprt (internal) (2) | -- | 112371 | -- |
| 684 | End Panel Assy - solid | uninsulated | 112109 | 103618 | 111290 | 710 | Right Side Mtr Support (internal) | -- | 112383 | -- |
| | | insulated | 103618 | -- | 103622 | 711 | Left Side Mtr Support (internal) | -- | 112382 | -- |
| | | double wall | 105548 | -- | 105552 | 712 | Mtr Compartment Frnt Legs (2) | -- | 112381 | -- |
| 684 | End Panel Assy - 30% opening | uninsulated | 112108 | -- | 111292 | 713 | Mtr Compartment Rear Legs (2) | -- | 112380 | -- |
| | | insulated | 105112 | -- | 105116 | 714 | Mtr Compartment Door Assy | -- | 112604 | -- |
| | | double wall | 105554 | -- | 105558 | 715 | Motor Cmptrmnt Rear | -- | 112384 | -- |
| 685 | End Panel Support | w/o filters | 100076 | -- | 100080 | 716 | Motor Compartment Top | -- | 112388 | -- |
| | | w/filters | 104080 | -- | 100080 | 717 | Motor Compartment Btm (2) | -- | 112385 | -- |
| 686 | Cabinet Top | uninsulated | 110419 | -- | -- | 718 | Motor Compartment Door | -- | 112386 | -- |
| 687 | Top Support | | 110387 | 105602 | 719 | Electrical Panel | -- | 112375 | -- | |
| 688 | Cabinet Top (Front) | uninsulated | -- | 112376 | 111284 | 720 | Electrical Box | 100092 | -- | 100092 |
| | | insulated | -- | 112377 | 105598 | 721 | Electrical Box Cover | 100095 | -- | 100095 |
| 689 | Cabinet Top (Rear) | uninsulated | -- | -- | 106288 | 722 | Blower Adapter Back Assy | -- | -- | 106294 |
| | | insulated | -- | -- | 106288 | | | | | |
| 690 | End Wrapper | | 110420 | 110095 | | | | | | |