

**IMPORTANT**

1. Always include complete heater model and serial number so that any specification change can be considered for parts shipment. It can save time and expense.
2. Specifications are subject to change without notice.
3. We reserve the right to substitute functional replacements.
4. Order by Part No.; not Heater Option Designation.



**Replacement Parts for Separated-Combustion Models SC, SCA, SCB, SCE, SSCBL, SSCDBL**

**Parts Form P-SC (Version A)**

Obsoletes Form P-SC


Index of Parts by Model and Page	Separated Combustion Models					
	SC	SCA	SCB	SCE	SSCBL	SSCDBL
	Duct Furnace	Unit Heaters		Packaged Systems		
Blowers and Components	--	--	12	12	14	14
Burner Rack and Carryovers	8	8	8	8	8	8
Burner Orifices	8	8	8	8	8	8
Cabinet Parts (Blower Section)	--	--	12	13	14	14
Cabinet Parts (Furnace Section)	4-7	4-7	4-7	4-7	4-7	4-7
Carryover Regulator	8	8	8	8	8	8
Concentric Adapter Box	11	11	11	11	11	11
Contactors (Motor)	--	--	27	27	27	27
Dampers and Controls, Inlet	--	--	--	34	34	34
Drain, Condensate (Option CS)	5	--	--	5	5	5
Drive Components	--	--	29-32	29-32	32-34	32-34
Ductstat	--	--	--	26	26	26
Electrical Components	23-28	23-28	23-28	23-28	23-28	23-28
Evaporative Cooling Module - See Replacement Parts Form P-REC						
Fan and Components	--	11	--	--	--	--
Filter Racks	--	--	--	13	14	14
Filters	--	--	--	13	16	16
Firestat	--	--	--	25	25	25
Furnace (Ht Exchanger) Couplings	--	--	--	--	6	6
Heat Exchanger and Baffles	10	10	10	10	10	10
Limit Controls and Shields	25	25	25	25	25	25
Louvers	--	4	4	4	--	--
Manifold, Special (BM Options)	--	--	--	36	36	36
Manifold, Standard	8	8	8	8	8	8
Maxitrol Components	--	--	--	26	26	26
Motors (Blower)	--	--	17-18	18-22	18-22	18-22
Motor (Damper)	--	--	--	34	34	34
Motors (Fan)	--	11	--	--	--	--
Motors (Venter)	7	7	7	7	7	7
Outlet Nozzle	--	5	5	--	--	--
Pilot	27-28	27-28	27-28	27-28	27-28	27-28
Pressure Switches (Combustion Air)	6-7	6-7	6-7	6-7	6-7	6-7
Pressure Switches (Other)	--	--	27	27	27	27
Relays	24-27	24-27	24-27	24-27	24-27	24-27
Remote Console (Option RC)	--	--	--	28	28	28
Serial Number Designation	2	2	2	2	2	2
Starters	--	--	17-18	18-22	18-22	18-22
Switches, Disconnect	23	23	23	23	23	23
Switches, Toggle	23	23	23	23	23	23
Transformer	24, 27	24, 27	24, 27	24, 27	24, 27	24, 27
Valves (Manual)	9	9	9	9	9	9
Valves (Electric) - See Form P-VALVES; valve is identified by unit Serial No. (see pg 2)						
Venters	7	7	7	7	7	7
Vent/Combustion Air Kits	11	11	11	11	11	11

**Additional References:**

<b>Website</b> (with downloadable files): <a href="http://www.RezSpec.com">www.RezSpec.com</a>
<b>Subject</b> ..... <b>Form</b>
Service - Replacement Gas Valves, Ignition Controllers & Maxitrol Parts ..... P-VALVES
Service - Converting to Other Gases ..... P-GC
Service - Replacement Parts for Optional Evaporative Cooling Module ..... P-REC
Installation/Operation - Model Series SC, Duct Furnace ..... I-SC
Installation/Operation - Model Series SCE Packaged Duct Furnace/Blower ..... I-SCE
Installation/Operation - Model Series SSCBL and SSCDBL Packaged Systems ... I-SSCBL
Installation/Operation - Vent Terminal/Combustion Air Packages ..... I-OPT-VC
Installation/Operation - Optional Evaporative Cooling Modules ..... I-OPT-EC



# Rating Plate and Serial No.



## REZNOR

MERCER, PA. USA 16137

**SEPARATED COMBUSTION SYSTEM  
DUCT FURNACE  
CATEGORY III**

FOR INDUSTRIAL/COMMERCIAL USE ONLY  
ANSI Z83.8 [AA] - [A] CGA 2.6 [AA'] - M [A'] DUCT FURNACE

MODEL [ B ] [ C ]  
SERIAL NO. [ D ]

[ E ] VOLTS [ E ] PH [ E ] HZ MAXIMUM TOTAL INPUT [ E ] AMPS  
TYPE OF GAS: [ F ] [ G ]

ORIFICE SIZE [ J ] DRILL HAS BEEN FACTORY ADJUSTED  
FOR USE AT [ H ] FEET [ I ] METERS OF ALTITUDE.

	SEA LEVEL	ALT. ADJUSTED
NORMAL INPUT	[ R ]	[ K ] BTU/HR.
THERMAL OUTPUT CAPACITY	[ S ]	[ L ] BTU/HR.
MINIMUM INPUT (2, M, MV MODELS)	[ T ]	[ M ] BTU/HR.
NORMAL MANIFOLD PRESSURE		[ N ] IN. W.C.
MIN. PERMISSIBLE GAS SUPPLY PRESSURE FOR PURPOSE OF INPUT ADJUSTMENT.		[ O ] IN. W.C.
MAXIMUM THROUGHPUT	[ P ] C.F.M.	
MINIMUM THROUGHPUT	[ Q ] C.F.M.	

---

CLEARANCES TO COMBUSTIBLE CONSTRUCTION: FLUE CONN. -6",  
SERVICE SIDE-WIDTH OF UNIT, OPP. SIDE-6", BOTTOM-6", TOP-6"  
MAY BE INSTALLED ON NONCOMBUSTIBLE FLOORS.  
INSTALL ON THE POSITIVE PRESSURE SIDE OF A IR-CIRCULATING BLOWER.  
THIS UNIT MAY BE INSTALLED DOWNSTREAM FROM A REFRIGERATION  
SYSTEM (USE DRAIN OPTION CS1).  
THIS UNIT MAY BE VENTED VERTICALLY WHEN USING CONCENTRIC  
ADAPTOR ASSEMBLY, PART NO. 82131, SUPPLIED BY REZNOR.  
FOR ALTERNATE INSTALLATIONS USE THE LATEST EDITIONS OF THE  
APPROPRIATE STANDARD LISTED BELOW:

FOR AIRCRAFT HANGARS	USE STANDARD ANSI/NFPA 409
FOR PARKING STRUCTURES	USE STANDARD ANSI/NFPA 88A
FOR REPAIR GARAGES	USE STANDARD ANSI/NFPA 88B

THIS UNIT IS FOR CONNECTION MINIMUM OF 10'-0" OR THE FOLLOWING  
MAXIMUM LENGTHS:  
[ X ] IN. PIPE DIA. [ Y ] FEET MAX. COMBINED LENGTH

### Key to Rating Plate Codes

- AA-A = ANSI Code and Date
- AA'-A' = CSA Code and Date
- B = Model No.
- C = Date of Manufacture
- D = Serial No.
- E = Volts, Phase, Hz, Amps
- F = Type of Gas
- H = Altitude (feet)
- I = Altitude (meters)
- J = Orifice Size
- K = Normal Input Altitude Adjusted (BTUH)
- L = Thermal Output Altitude Adjusted (BTUH)
- M = Minimum Input Altitude Adjusted (BTUH)
- N = Normal Manifold Pressure ("w.c.)
- O = Minimum Gas Supply Pressure ("w.c.)
- P = Maximum Air Throughput (CFM)
- Q = Minimum Air Throughput (CFM)
- R = Normal Input Sea Level (BTUH)
- S = Thermal Output Sea Level (BTUH)
- T = Minimum Input Sea Level (BTUH)
- X = Pipe Diameter (inches)
- Y = Maximum Combined Length (inches)

# Blower Cabinet Rating Plate on Certified Packaged Units



## REZNOR

MERCER, PA., U.S.A. 16137

**PACKAGED DUCT FURNACE**

FOR INDUSTRIAL/COMMERCIAL USE ONLY  
DESIGN CERTIFIED FOR A.G.A. REQUIREMENTS UNDER  
[ A ] PACKAGED DUCT FURNACE STANDARD

MODEL [ B ] [ C ]  
SERIAL NO. [ D ] HP

[ E ] VOLTS [ E ] PH [ E ] HZ MAXIMUM TOTAL INPUT [ E ] AMPS  
IF EQUIPPED WITH R.E.C. OPTION, ADD [ V ] AMPS  
EQUIPPED FOR OPERATION AT AN AIR FLOW OF [ F ] SCFM  
AGAINST A STATIC PRESSURE OF [ G ] INCHES WATER COLUMN.  
DRIVE NO. [ H ] WIRING DIAGRAM [ I ]  
SEE MANUFACTURER'S INSTRUCTIONS FOR OTHER AIR FLOW  
CAPACITIES.  
FILTERS, WHEN USED, MUST BE INSTALLED EXTERNAL TO THE  
HEATING CASING.  
REFER TO THE RATING PLATE OF THE DUCT FURNACE FOR  
ADDITIONAL INFORMATION.


### Key to Blower Cabinet Plate

- A = Standard
- B = Model
- C = Date of Manufacture
- D = Motor Horsepower
- E = Volts/Phase/Hertz/Amps
- F = SCFM
- G = Static Pressure (w.c.)
- H = Drive AM Option Code
- I = Wiring Diagram No.

### Identification Plate on Blower Cabinets Manufactured Prior to Package Certification (see dates on page 3)

#### HP Codes used on blower plate illustrated below

Single-Speed Motors		2-Speed Motors	
Code	HP	Code	HP
05	1	20	1/.44
06	1-1/2	21	1.5/.68
07	2	22	2/.88
08	3	23	3/1.3
09	5	24	5/2.2
11	7-1/2	25	7.5/3.3
12	15	26	10/4.4
13	10		
14	20		

	MODEL NUMBER	SERIAL NUMBER
	DRIVE NO.	WIRING DIAGRAM NO.
CFM _____ AT _____ IN. W.C. MAX. E.S.P. AND _____ HP	VOLTS _____ PHASE _____ HERTZ _____	AMPERES _____

<b>Serial No.</b>	<b>BAA</b>	<b>66</b>	<b>H5</b>	<b>N</b>	<b>00000</b>
<b>Codes</b>	<b>1</b>	<b>2</b>	<b>3</b>	<b>4</b>	<b>5</b>
	<ul style="list-style-type: none"> <li>1 - Date of manufacturer (see page 3)</li> <li>2 - Type of pilot system (see Form P-VALVES)</li> <li>3 - Type of gas valve (see Form P-VALVES)</li> <li>4 - Gas (N= natural; L = propane)</li> <li>5 - Consecutive number (identification only)</li> </ul>				

## First Element of the Serial Number - Date of Manufacture

Year	Jan	Feb	Mar	Apr	May	June	July	Aug	Sept	Oct	Nov	Dec
1974	ZA	ZB	ZC	ZD	ZE	ZF	ZG	ZH	ZI	ZJ	ZK	ZL
1975	AAA	AAB	AAC	AAD	AAE	AAF	AAG	AAH	AAI	AAJ	AAK	AAL
1976	ABA	ABB	ABC	ABD	ABE	ABF	ABG	ABH	ABI	ABJ	ABK	ABL
1977	ACA	ACB	ACC	ACD	ACE	ACF	ACG	ACH	ACI	ACJ	ACK	ACL
1978	ADA	ADB	ADC	ADD	ADE	ADF	ADG	ADH	ADI	ADJ	ADK	ADL
1979	AEA	AEB	AEC	AED	AEE	AEF	AEG	AEH	AEI	AEJ	AEK	AEL
1980	AFA	AFB	AFC	AFD	AFE	AFF	AFG	AFH	AFI	AFJ	AFK	AFL
1981	AGA	AGB	AGC	AGD	AGE	AGF	AGG	AGH	AGI	AGJ	AGK	AGL
1982	AHA	AHB	AHC	AHD	AHE	AHF	AHG	AHH	AHI	AHJ	AHK	AHL
1983	AIA	AIB	AIC	AID	AIE	AIF	AIG	AIH	AII	AIJ	AIK	AIL
1984	AJA	AJB	AJC	AJD	AJE	AJF	AJG	AJH	AJI	AJJ	AJK	AJL
1985	AKA	AKB	AKC	AKD	AKE	AKF	AKG	AKH	AKI	AKJ	AKK	AKL
1986	ALA	ALB	ALC	ALD	ALE	ALF	ALG	ALH	ALI	ALJ	ALK	ALL
1987	AMA	AMB	AMC	AMD	AME	AMF	AMG	AMH	AMI	AMJ	AMK	AML
1988	ANA	ANB	ANC	AND	ANE	ANF	ANG	ANH	ANI	ANJ	ANK	ANL
1989	AOA	AOB	AOC	AOD	AOE	AOE	AOG	AOH	AOI	AOJ	AOK	AOL
1990	APA	APB	APC	APD	APE	APF	APG	APH	API	APJ	APK	APL
1991	AQA	AQB	AQC	AQD	AQE	AQF	AQG	AQH	AQI	AQJ	AQK	AQL
1992	ARA	ARB	ARC	ARD	ARE	ARF	ARG	ARH	ARI	ARJ	ARK	ARL
1993	ASA	ASB	ASC	ASD	ASE	ASF	ASG	ASH	ASI	ASJ	ASK	ASL
1994	ATA	ATB	ATC	ATD	ATE	ATF	ATG	ATH	ATI	ATJ	ATK	ATL
1995	AUA	AUB	AUC	AUD	AUE	AUF	AUG	AUH	AUI	AUJ	AUK	AUL
1996	AVA	AVB	AVC	AVD	AVE	AVF	AVG	AVH	AVI	AVJ	AVK	AVL
1997	AWA	AWB	AWC	AWD	AWE	AWF	AWG	AWH	AWI	AWJ	AWK	AWL
1998	AXA	AXB	AXC	AXD	AXE	AXF	AXG	AXH	AXI	AXJ	AXK	AXL
1999	AYA	AYB	AYC	AYD	AYE	AYF	AYG	AYH	AYI	AYJ	AYK	AYL
2000	AZA	AZB	AZC	AZD	AZE	AZF	AZG	AZH	AZI	AZJ	AZK	AZL
2001	BAA	BAB	BAC	BAD	BAE	BAF	BAG	BAH	BAI	BAJ	BAK	BAL
2002	BBA	BBB	BBC	BBD	BBE	BBF	BBG	BBH	BBI	BBJ	BBK	BBL
2003	BCA	BCB	BCC	BCD	BCE	BCF	BCG	BCH	BCI	BCJ	BCK	BCL
2004	BDA	BDB	BDC	BDD	BDE	BDF	BDG	BDH	BDI	BDJ	BDK	BDL
2005	BEA	BEB	BEC	BED	BEE	BEF	BEG	BEH	BEI	BEJ	BEK	BEL
2006	BFA	BFB	BFC	BFD	BFE	BFF	BFG	BFH	BFI	BFJ	BFK	BFL
2007	BGA	BGB	BGC	BGD	BGE	BGF	BGG	BGH	BGI	BGJ	BGK	BGL
2008	BHA	BHB	BHC	BHD	BHE	BHF	BHG	BHH	BHI	BHJ	BHK	BHL
2009	BIA	BIB	BIC	BID	BIE	BIF	BIG	BIH	BII	BIJ	BIK	BIL
2010	BJA	BJB	BJC	BJD	BJE	BJF	BJG	BJH	BJI	BJJ	BJK	BJL
2011	BKA	BKB	BKC	BKD	BKE	BKF	BKG	BKH	BKI	BKJ	BKK	BKL
2012	BLA	BLB	BLC	BLD	BLE	BLF	BLG	BLH	BLI	BLJ	BLK	BLL
2013	BMA	BMB	BMC	BMD	BME	BMF	BMG	BMH	BMI	BMJ	BMK	BML
2014	BNA	BNB	BNC	BND	BNE	BNF	BNG	BNH	BNI	BNJ	BNK	BNL
2015	BOA	BOB	BOC	BOD	BOE	BOF	BOG	BOH	BOI	BOJ	BOK	BOL

## Date Series was Introduced or Re-certified (may affect parts selection)

Series changes indicate when that Model was recertified by the approval agency. The Series is identified in the Model No. of the unit. The number following the model of the heater is the series number (Example: SC300-6, "6" is the Series No.). Replacement parts may be affected by the introduction of a new series. NOTE: Series 6 has significant changes; select parts carefully.

Introduction - Month/Year (Serial No. Date Code) of Furnace Certification					
	Models	Series 1	Series 3	Series 5	Series 6
ANSI Std	SC	3/74 (ZC)	9/82 (AHI)	4/89 (AOD)	10/93 (ASJ)
	SCA	3/74 (ZC)	9/82 (AHI)	4/89 (AOD)	10/93 (ASJ)
	SCB	3/74 (ZC)	9/82 (AHI)	4/89 (AOD)	10/93 (ASJ)
	SCE	8/74 (ZH)	9/82 (AHI)	4/89 (AOD)	10/93 (ASJ)
	SSCBL	1/92 (ARA)			1/97 (AWA)
C.G.A. Std	SC	3/75 (AAC)	--	--	10/93 (ASJ)
	SCA	3/75 (AAC)	9/82 (AHI)	1/91 (AQA)	10/93 (ASJ)
	SCB	3/75 (AAC)	9/82 (AHI)	1/91 (AQA)	10/93 (ASJ)
	SCE	--	9/82 (AHI)	1/91 (AQA)	10/93 (ASJ)
	SSCBL				1/97 (AWA)

NOTE: Manufacture of Models SCA/SCB was discontinued in 2001.

## Model SSCDBL

Model SSCDBL replacement parts are not specifically listed. Look for the equivalent SSCBL Model as listed below.

SSCDBL Consists of:	
800	(2) Model SSCBL 400 Packaged Systems
1000	(2) Model SSCBL 500 Packaged Systems
1200	(2) Model SSCBL 600 Packaged Systems
1400	(2) Model SSCBL 700 Packaged Systems
1600	(2) Model SSCBL 800 Packaged Systems

## Model SSCDBL Configuration



**Two BL Blower Cabinets - All Sizes**



**2 Furnace Sections - Size 800**



**4 Furnace Sections - Sizes 1000, 1200, 1400, 1600**

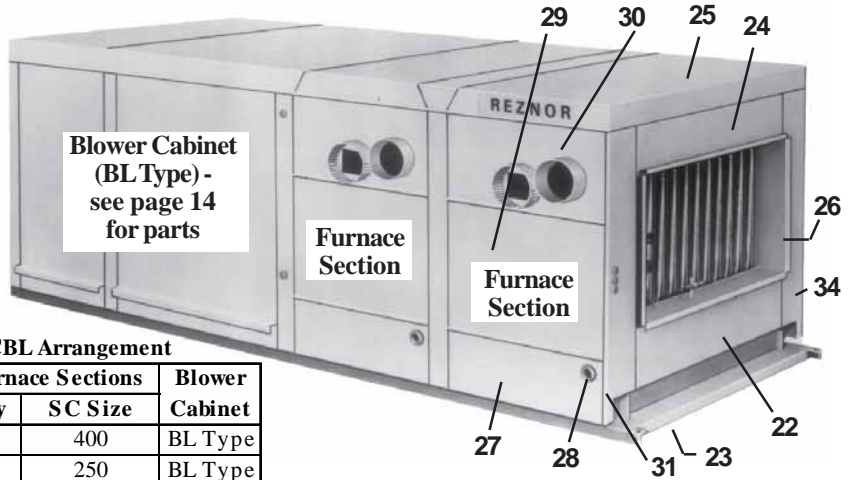
# Exterior Cabinet Parts - Furnace Section

**Model SC Series 6** - shows design change in control side of cabinet (exploded view below shows control side in Series 3 and 5)



**REZNOR** Label, P/N 196689  
 Gray Sealant (3M 900 Duct Sealer Fast Bond), P/N 100117

**Model SSCBL** (parts apply to each furnace section)



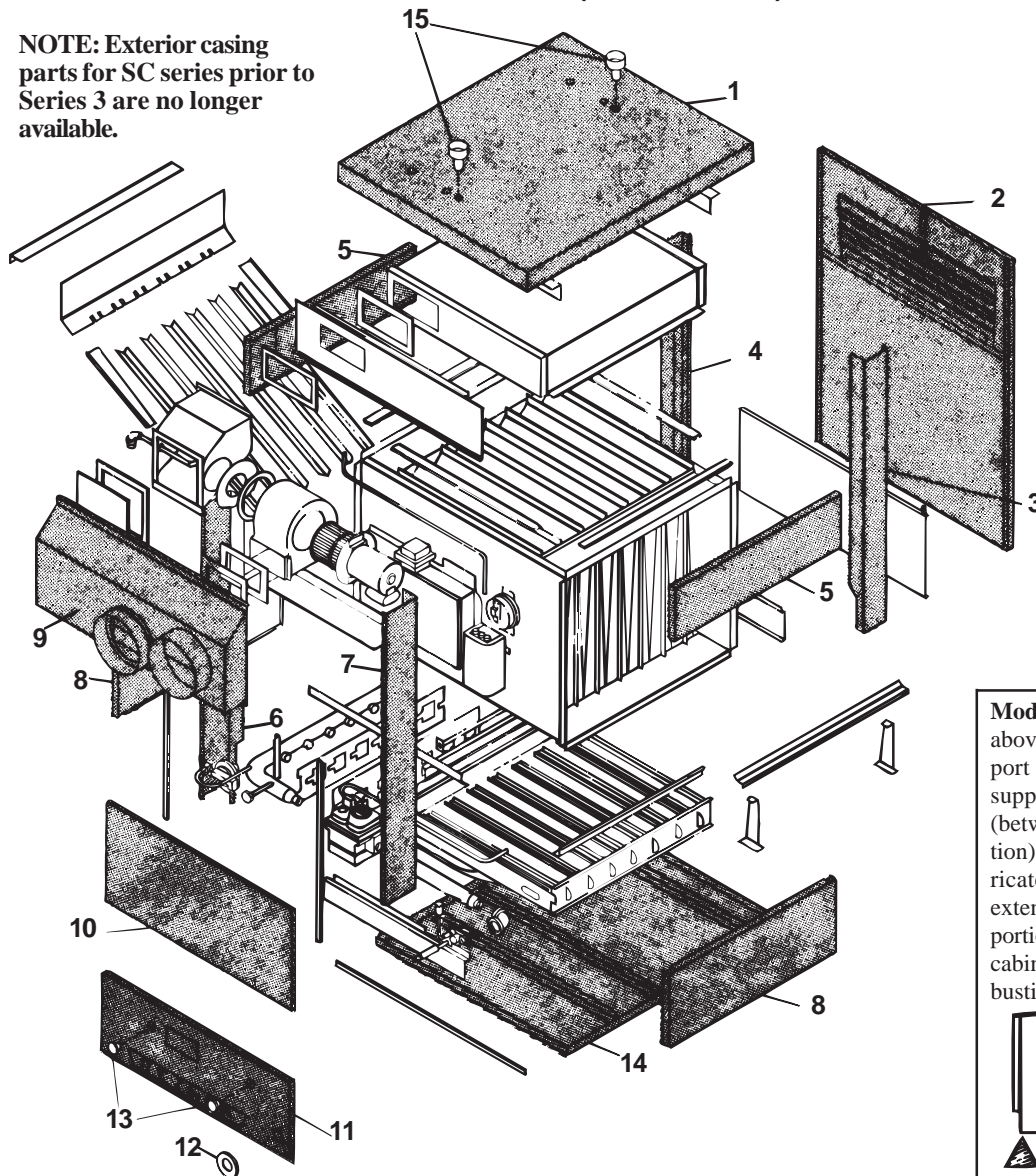
**Model SSCBL Arrangement**

Model Size	Furnace Sections Qty	SC Size	Blower Cabinet
400	1	400	BL Type
500	2	250	BL Type
600	2	300	BL Type
700	2	350	BL Type
1050	3	350	BL Type
1200	3	400	BL Type

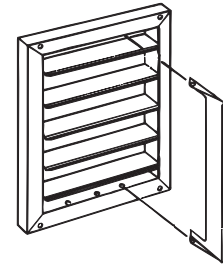
**Tawny Beige Touch-Up PAINT**  
 10 oz Spray Can, P/N 37919

## Furnace Section Exterior Cabinet Parts (shaded areas) - Models SC, SCA, SCB, SCE

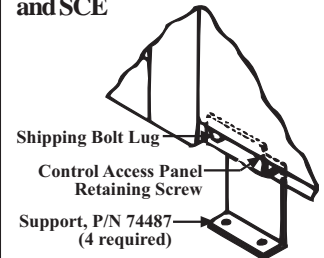
**NOTE:** Exterior casing parts for SC series prior to Series 3 are no longer available.



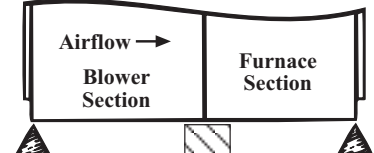
**Codes 17 and 18 - Louvers**



**Code 16 - Mounting Supports for Models SC and SCE**



**Model SCE** - P/N 74487 as illustrated above may be used at the four corner support locations. Do not use this type of support at the center support locations (between the furnace and the blower section). At the center locations, a field-fabricated, angle-iron brace support must extend horizontally, jointly supporting a portion of both the furnace and the blower cabinet. All supports must be non-combustible.



**Furnace Section Exterior Cabinet Parts - Models SC, SCA, SCB, SCE** (If application is not indicated, part applies to Models SC, SCA, SCB and SCE; quantity not listed in parenthesis is one.)

Code	Description	Application	Size								
			100	125	150/175	200/225	250	300	350	400	
1	Casing Top Assy with insulation	SC prior to Series 6	■	103900	103901	103902	103903	103904	103905		
		SCA,SCB,SCE prior to Series 6	■	74574	74575	74576	74577	74578	74579		
		SC Series 6	125309	125310	125311	125312	125313	125314	125315		
		SCA,SCB,SCE Series 6	125567	125568	125569	125570	125571	125572	125573		
2	Right Casing Side Panel	with insulation - SC	80582				80585				
		SCA,SCB,SCE	11819				11849				
3	Corner Leg - Right Front	SC,SCA,SCB,SCE	10309				10311				
4	Corner Leg - Right Rear	SC	10310				10312				
		SCA,SCB,SCE	10310				11005				
5	Top Front & Top Back (2)	with insulation - SC	126330	64667	64669	80574	80576	80578	80580		
		SCA,SCB,SCE	10861	10869	10875	10886	10892	10900	10906		
6	Left Rear Corner Leg Assy (control side)	All prior to Series 6	■	68426			68428				
		Series 6	126109			126110					
7	Left Front Corner Leg Assy (control side)	All prior to Series 6	■	68425			68427				
		Series 6	126111			126112					
8	Bottom Front and Rear Panel Assy with insulation (2)		67693	64662	64664	80561	80564	80567	80570		
9	Venter Panel (or Shroud) Assy	SC Series 3 and 5	■	80587			68417				
		SCA,SCB,SCE Series 3 and 5	■	68410			68417				
		All Series 6	125351			130224					
10	Access Panel Assy	Prior to Series 6	■	82527	82527	82527	82527	82527	82527		
		All Series 6	126012								
11	Bottom Left Side Panel Assy	SC prior to Series 6, Natural Gas	■	80572		68430		68432			
		SC prior to Series 6, Propane Gas	■	80572		68430		68430			
		SCA,SCB,SCE prior to Series 6	■	68430							
	Bottom Left Side Panel with Grommet and Sight Hole Cover	SC Series 6 (Sizes 100-175 include insulation)	125695			125692		125693			
		SCA,SCB,SCE Series 6	125692			125693					
12	Vinyl Grommet		102607				15021				
13	Lighter Hole Plug Assy	Prior to Series 6	■	1074							
14	Bottom Pan Assy	Aluminized, SC prior to Series 6	■	80557	80559	68338	68340	68342	68344		
		Aluminized, SCA,SCB,SCE prior to Series 6	■	68333	68336	68338	68340	68342	68344		
		Stainless steel, prior to Series 6	■	84922	84925	84926	84927	84929	84930		
		Aluminized, All Series 6	125267	125268	125269	125270	125271	125272	125273		
		Stainless steel, All Series 6	129516	129517	129518	129519	129520	129521	129522		
15	Hanger Assy (2)		9557								
16	Mounting Support	SC or SCE (4 required)	74487								
17	Louver Frame with Horizontal Louvers	Horizontal louvers are std on Models SCA & SCB; vertical are optional. Horizontal and vertical louvers are optional on Model SCE.	10020	10018	10016	10014	10012	10010	10001		
17A	Horizontal Louver only		(5)9923	(5)9887	(5)9847	(5)9808	(10)9769	(10)9733	(10)9553		
18	Vertical Louver only	(See illustrations, pages 11 & 12)	(4)9554		(6)9554	(8)9554	(10)9554	(12)9554	(14)9554		
18A	Maroon Touchup Paint for Louvers, 12 oz can		207432								
19	30° Outlet Nozzle Assy	SCA or SCB - same as Option CD2	132896	44881	44882	44883	44884	44885	44886		
	60° Outlet Nozzle Assy	SCA or SCB - same as Option CD3	132897	44888	44889	44890	44891	44892	44896		
20	Condensate Drain Kit	SC, SCE, SSCBL - same as Option CSI	31765								

**Code 19 - Outlet Nozzles and Components**

Side, All Sizes - P/N **44870**, (4) CD3; (2) CD2

Top - (2) CD3; (1) CD2

125	<b>44872</b>
150-175	<b>44873</b>
200-225	<b>44874</b>
250-300	<b>44875</b>
350	<b>44876</b>
400	<b>44877</b>

Do not add vertical louvers to CD3 on an SCA unit.

**Code 20 - Condensate Drain Kit**

Bottom of Furnace Casing

10-24 x 1-1/2" Brass Bolt and Nut

Gasket

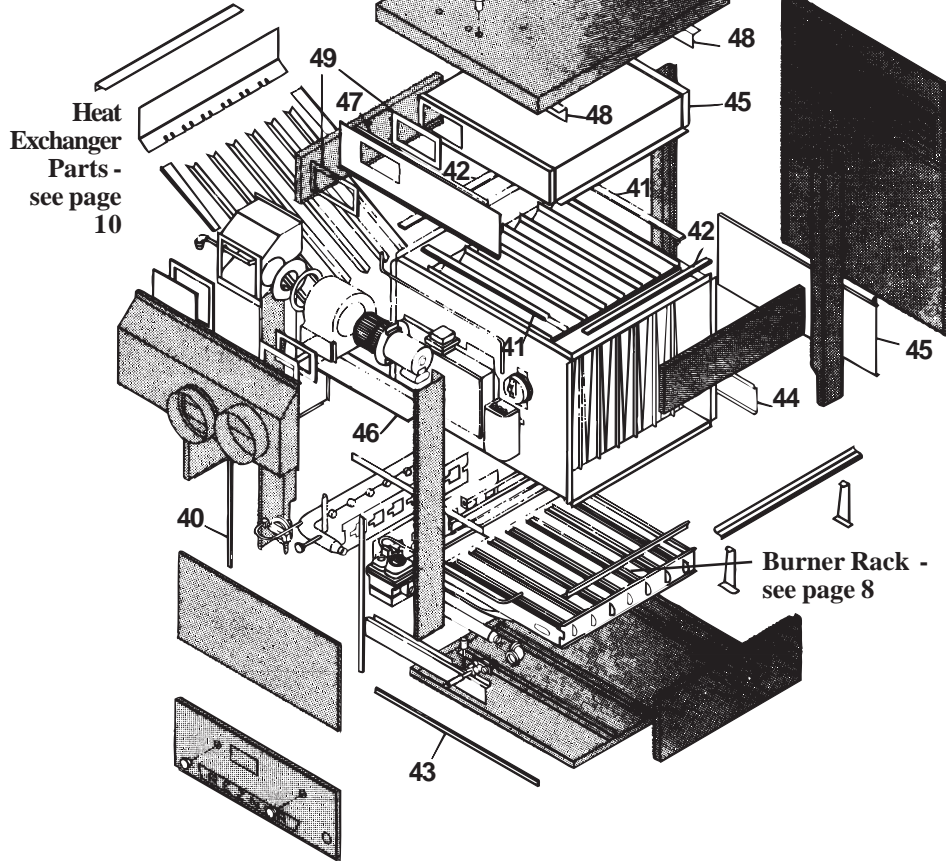
3/4" Pipe Waste Nut

**Furnace Section Exterior Cabinet Parts - Model SSCBL only** (parts apply to each furnace section)

Code	Description	400	500	600	700	800	1050	1200
22	Bottom Front & Rear Panel (2)	100042	100040	100041	100042	100041	100042	100042
23	Furnace Bottom Pan	Aluminized	100005	100003	100004	100005	100004	100005
		Stainless Steel	104930	104928	104929	104930	104929	104930
24	Top Front & Rear Panel (2)	100035	100033	100034	100035	100034	100035	
25	Casing Top Assy	100293	100291	100292	100293	100292	100293	
26	Furnace Right Side Panel Assy	103649						
27	Furnace Bottom Left Side Panel	100125						
28	Vinyl Grommet	15021 3/4"	102607 1/2"	15021 3/4"				
29	Furnace Center Left Side Panel	113593						
30	Furnace Top Left Side Panel Assy	113646						
31	Left Rear Furnace Leg (not illustrated)	100013						
32	Left Front Furnace Leg	100011						
33	Right Rear Furnace Leg (not illustrated)	100012						
34	Right Front Furnace Leg	100010						
35	Top Seal Brace (not illustrated)	100168	100166	100167	100168	100167	100168	

# Furnace Section Interior Cabinet Parts and Gaskets - All Models

NOTE: Series 5 unit is illustrated. See page 4 for photos of Model SC Series 6 and a Model SSCBL



**Connector and Filler Parts (not illustrated) for Connecting Heat Exchangers in Model SSCBL Systems with Two or Three Furnaces**

SSCBL Size	400	500/600	700	800	1050	1200
Top Filler Assy	--	(1)115693	(1)115694	(1)115692	(2)115694	(2)115692
Side Filler	--			(2)105632		
Top & Btm Duct Connector	--	(2)106338	(2)106339	(2)106340	(2)106339	(2)106340
Side Duct Connector	--			(2)106395		

**Code 70 - Combustion Air Pressure Switch**

For units mfgd beginning 7/04 (except SC Series models with Option AG 39, 40, 41, or 42 gas controls) for altitudes to 4000 ft, P/N 204327 setpoint 0.58 ± .05" w.c.; for altitudes above 4000 ft, P/N 204328, Setpoint 0.52 ± .05" w.c.

For SC/SCE units mfgd beginning 7/04 with Option AG39 or 40 and 1st furnace of SSCBL with Opt AG41 or 42 gas controls, P/N 204325 for Sizes 100-225 or P/N 204326 for SC/SCE Sizes 250-400 and SSCBL 400-1200.

For units mfgd between 12/91 and 7/04 (except SC Series Models with Option AG39/40/41/42 gas controls), for altitudes to 4000 ft, order replacement kit P/N 193810; for altitudes above 4000 ft, P/N 193811.

For SC/SCE units mfgd between 12/91 and 7/04 with Option AG39 or 40 and 1st furnace of SSCBL with Opt AG41 or 42 gas controls, P/N 193813 for Sizes 100-225 or P/N 193812 for SC/SCE Sizes 250-400 and SSCBL 400-1200.

For SC Series 3 and 5 and SSCBL prior to 1/94, for altitudes to 4000 ft, P/N 68266, Tri-Delta #FSS100-4871; for altitudes above 4000 ft, P/N 113234.



For SC units prior to Series 3 (9/82), P/N 38712, Cleveland Controls ANA-100-14-20



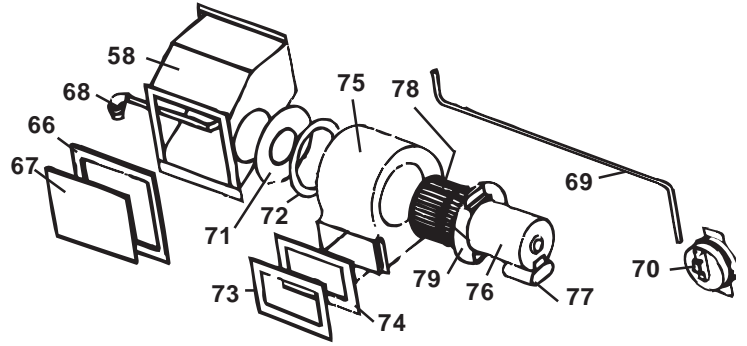
Code	Description	SSCBL							
		SC(A)(B)(E)	100	125	150/175	200/225	250/300	350	400
40	Gasket on Control Side Corner Leg	SC, SCA, SCB, SCE prior to Series 6	■	90314			90315		
41	Side Gasket (2)		62933						
42	Front and Rear Gasket Strip (2)		62921	62922	62924	62926	62928	62930	
43	Gasket on Control End Bottom Pan	SC, SCA, SCB, SCE prior to Series 6	■	82530					
44	Burner Rack Back Brace		9525						
45	Rear Seal Plate		38616						
46	Radiation Shield	Prior to Series 6 All Series 6	■	68422			125403		
47	Seal Plate		68423			68424			
48	Hanger Angle (2)		31904			11012			
49	Outlet Duct Gasket (2)		31900						
50	Flue Collection Box Assy	Prior to Series 6 Series 6	■	68345	68347	68349	68351	68353	68355
			125264	125265	125266	125274	125275	125276	125469
51	Horizontal Leg Support (not illustrated)		124592 - between right corner leg and heat exchanger						

**Venter Parts for an obsolete Model PV Series unit:**

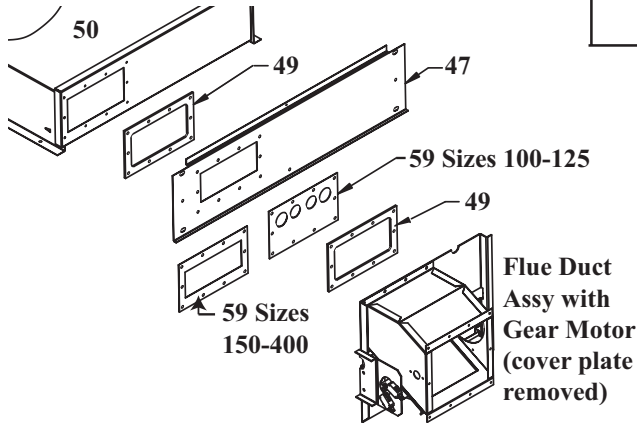
Size	PV125-175	PV200-400
Replacement Venter Motor - order by voltage (remove housing to install)		
115V	P/N 29992	P/N 29994
208V	P/N 30229	P/N 30233
230V	P/N 30231	P/N 30235
Replacement Venter Sail Switch		
	P/N 7299	P/N 13925
Replacement Combustion Air Switch, Tri Delta #FP 4258, PV125-400, P/N 17155		

## Venter Assembly

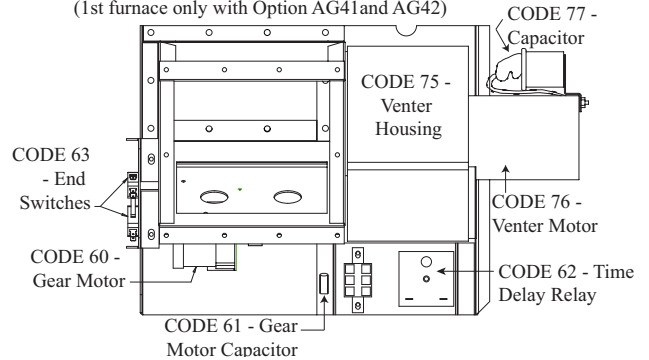
Flue Duct and Venter Parts for SC/SCE units without 20-100% electronic modulation Option AG 39 or 40; all furnaces in an SSCBL unit without Option AG 41 or 42; and 2nd and 3rd furnaces in an SSCBL unit with Option 41 or 42.



Flue Duct and Venter Parts for single furnace with Option AG39 or AG40 and the first furnace in multiple furnace units with Option AG41 or AG42.



Flue Duct and Venter Assembly for Options AG 39, 40, 41, 42  
(1st furnace only with Option AG41 and AG42)



Code	Description	SSCBL											
		SC, SCA, SCB, SCE	100	125	150	175	200	225	250	300	350	400	
58	Flue Duct Assembly for SC(A)(B)(C) Series 3, 5 & 6 without Opt AG 39 or 40; and SSCBL without Opt AG 41 or 42 and 2nd & 3rd furnaces with Opt AG 41 or 42		68375										
59	Flue Duct Restrictor		174817									174818	
60	Gear Motor	For SC/SCE with Option AG 39 or 40, and 1st furnace of SSCBL with AG41 or 42 mfgd beginning 11/03		206144								■	206144
61	Gear Motor Capacitor, 15MFD			206145								■	206145
62	Time Delay Relay			(2) 206146								■	(2) 206146
63	Safety End Switch	All w/AG39, AG40, AG41 & AG42		(2) 174812								■	(2) 174812
64	Replacement Gear Motor Kit (to replace solenoid actuator)	For SC/SCE with Option AG 39 or 40, and 1st furnace of SSCBL with AG 41 or 42 mfgd before 11/03		208474								■	208475
65	Replacement Solenoid Actuator only (select by voltage - same apply to Sizes 400/800/1200)		(Kit to replace the solenoid valve actuator with a gear motor actuator.)										
			174847 (460V)								■	174847	
			174846 (208/230V)								■	174846	
			174814 (115V)								■	174814	
66	Cover Plate Gasket	Series 3, 5 and 6 and SSCBL		41996									
67	Flue Duct Cover Plate	Series 3, 5 and 6 and SSCBL		41995									
68	Sensing Tube Assy	Series 3 and 5 and SSCBL prior to 1/94	■	68401									
		Series 6 & SSCBL 1/94 to 9/99	123912 (Replacement Kit including sensing tube, P/N 175800, and 15" tubing, P/N 176125)										
		Series 6 and SSCBL beginning 9/99	175800										
69	Pressure Switch Tubing	Series 3 & 5 and SSCBL prior to 1/94	■	21183, 1/4" x 24" long									
		Series 6 and SSCBL beginning 1/94	125402, 6-1/4" long, red silicone										
70	Pressure Switch - Replacement depends on manufacture date, altitude, and electronic modulation options; see application and P/N's listed on page 6.												
71	Venter Restrictor or Inlet Ring	Series 3 and 5	■	68382	43255	43257	68386	68388	68390	68392	43260	68399	
		Series 6 w/Aluminized Heat Exchanger	125855	125856	125857	125858	125859	68386	68388	43259	43260	63899	
		Series 6 with Stainless Steel Exchanger	125855	43254	125857	43257	125859	43258	68388	68392	125862	125863	
		Series 6 w/Opt AG 39 or 40 or 1st furnace of SSCBL w/Opt AG41 or 42	175786	68388	68386	68390	43250	175787	43260	62594	■	62594	
72	Venter Gasket		44695										
73	Venter Seal Gasket		68420										
74	Venter Seal Plate	Series 3, 5, and 6	68421										
75	Venter Housing Assy		68380								68397		
76	Venter Motor only - Prior to Series 3	115V, Fasco 7162-3845	■	36860									
		208V, Universal JE1E0101	■	98157									
	Venter Motor Replacement Kits for Series 3 & 5 and SSCBL - includes motor, capacitor, and mounting plate (select by voltage; 460V does not include a capacitor)	115V or 575V	132377										
		208V or 230V	132378										
		460V	132379										
Venter Motor only - All Series 6	115V, Fasco	163891 (replaces 125350)											
	208/230V, Fasco 7162-3846	163892 (replaces 125672)											
	460V, Fasco 7162-3847	163893 (replaces 125673)											
77	Motor Capacitor only		163894 (replaces 103181)										
78	Venter Wheel for Series 3, 5, and 6 & SSCBL, Torrington		43425, AD326-215-101-2, 5/16								43814, AD424-215-101-2, 5/16		
	Venter Wheel prior to Series 3, Torrington	■	29340, AA408-201-1										
79	Venter Motor Mounting Plate Assy - All Series 6		125344								125345		
80	Spiral Spacers #8 x 3/4" - All Series 6 (not illustrated)		(4) 97721										

# Burner Rack and Components - Applies to all Furnaces (one per furnace section)

## Code 81 - Burner Rack



Series 6 Natural Gas Burner Rack with two flash carryovers (one on each end)



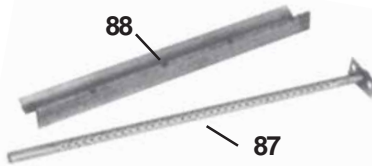
Gas Valve - See Form P-VALVES

Series 6 Propane Gas Burner Rack with air shutters and a regulated carryover with carryover tube and drip shield. (has a flash carryover on the end opposite the orifices)

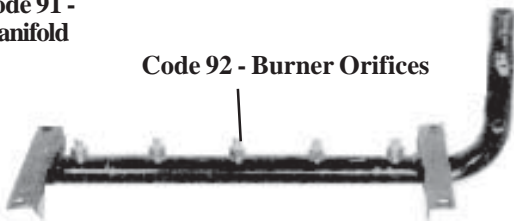


Code 93 Gas Valve - See Form P-VALVES

## Codes 87 and 88 - Carryover Tube and Drip Shield

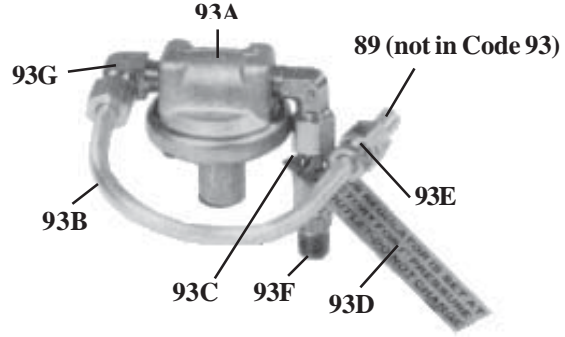


## Code 91 - Manifold

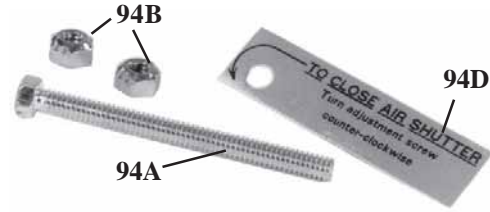


Code 92 - Burner Orifices

## Code 93 - Carryover Regulator Assembly for all Propane Gas



## Codes 94A-D - Air Shutter Hardware for Propane Gas Burner Rack



## Regulated Carryover and Air Shutters for Propane Gas Burner

Code	Description	All Sizes
93	Regulated Carry over Assy - Propane (includes Codes 93A-K)	100712
93A	Carry over Regulator, Maxitrol RV-12, Propane Gas	11294
93B	Carry over Regulator Tubing 1/4" x 5-1/2"	9681
93C	Carry over Regulator Tubing 1/4" x 1-1/4"	11892
93D	Carry over Regulator Tag	11935
93E	Carry over Regulator Fitting (Compression Fitting)	9664
93F	Carry over Regulator Fitting, Regulator to Manifold	1436
93G	Carry over Regulator Fitting, 90° Brass Elbow	(2) 18224
94A	Air Shutter Adjustment Screw, 1/4"-20 x 2-1/2" long	10653
94B	Air Shutter Screw Nut, 1/4" -20	10650
94C	Air Shutter Slide Tinnerman Nut, 1/4"-20 (not illustrated)	10651
94D	Air Shutter Adjustment Instruction Tag	11934

## Code 95 - Carryover Regulator used with Modulation Gas Control Options AG39 or AG40 or 1st furnace of SSCBL with Options AG41 or 42, P/N 11294



See illustration in Code 328 on page 26.

## Code 92 - Burner Orifices (sea level)

								500	600	700, 1050	400, 800, 1200
		100	125	150	175	200	225	250	300	350	400
Natural Gas	P/N	11972	84437	11833	84437	11828	84437	11833	84437	84437	84437
	Drill	#41	#42	#44	#42	#43	#42	#44	#42	#42	#42
Propane Gas	P/N	61652	61652	11830	61652	11830	61652	11830	61652	61652	61652
	Drill	1.45	1.45	#55	1.45	#55	1.45	#55	1.45	1.45	1.45
		MM	MM		MM		MM		MM	MM	MM



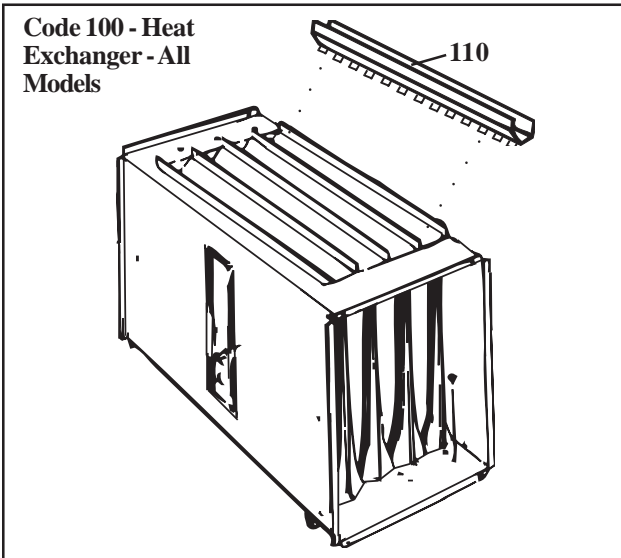
		500/ 600	700/ 1050	400/ 800/ 1200						
Code	Description	100	125	150/175	200/225	250/300	350	400		
81	Burner Rack with <b>Aluminized</b> Steel Burners for <b>Natural or Propane</b> (includes main burners, one flash carry over, carry over lighter tube, aeration panel, and air shutter guide) <i>must order and field install</i> burner rack skirt, Code 81A.	■	65973	65974	65975	65976	65977	65978		
	Burner Rack with <b>Stainless Steel</b> Burners for <b>Natural or Propane</b> (includes main burners, one flash carry over, carry over lighter tube, aeration panel, and air shutter guide) <i>must order and field install</i> burner rack skirt, Code 81A.	■	65981	65982	65983	65984	65985	65986		
81A	Burner Rack Skirt - <i>must</i> be field-installed on pilot side of burner rack. Position skirt, mark holes, drill, and attach with sheetmetal screws.	■	126108							
81	Burner Rack with <b>Aluminized</b> Steel Burners for <b>natural gas</b> (includes main burners, two flash carry overs, aeration panel, burner rack skirt and auxiliary sensing probe)	125287	125288	125289	125290	125291	125292	125293		
	Burner Rack with <b>Stainless Steel</b> Burners for <b>natural gas</b> (includes main burners, two flash carry overs, aeration panel, burner rack skirt, and auxiliary sensing probe)	131995	131996	131997	131998	131999	132000	132001		
	Burner Rack with <b>Aluminized</b> Steel Burners for <b>propane gas</b> (includes main burners, one flash carry over, aeration panel, regulated carry over lighter tube, air shutters, burner rack skirt, and auxiliary sensing probe)	125698	73749	73751	73754	73757	73760	73762		
	Burner Rack with <b>Stainless Steel</b> Burners for <b>propane gas</b> (includes main burners, one flash carry over, aeration panel, regulated carry over lighter tube, air shutters, burner rack skirt, and auxiliary sensing probe)	132067	132068	132069	132070	132071	132072	132073		
	Replacement burner rack for Models SC, SCE, SSCBL with 20-100% modulation <i>with Option AG39 or AG40</i> or 1st furnace of Model SSCBL with Option AG41 or AG42, natural gas only, is the same stainless steel burner rack as used with propane gas.	132067	132068	132069	132070	132071	■	132073		
82	Main Burner Tube only	Qty	(4)	(5)	(7)	(9)	(12)	(14)	(16)	
		Aluminized	85218							
		Stainless Steel	87954							
83	Flash Carryover (one piece)	Series 6 natural gas have two per burner rack; Series 6 propane and all Series 3 & 5 have one per burner rack	63128	63131	63138	■	■	■	■	
84	Flash Carryover Right Section		■	■	■	63148	63141	63148	63152	
85	Flash Carryover Left Section		■	■	■	63144				
86	Flash Carryover Center Section		■	■	■	■	63156	68071		
87	Carryover Lighter Tube (Tube only)	All prior to Series 6 and Series 6	9899	9859	9821	9783	9747	9711	9520	
88	Carryover Lighter Tube Drip Shield	Propane only	15015	15014	15013	15012	15011	15010	14957	
89	Carryover Orifice (NOTE: Series 6 Natural Gas does not have a carry over lighter tube except for heaters with 20-100% modulation, Options AG 39, 40, 41, or 42)	Natural Gas - prior to Series 6	■	9680			10370	9792	11872	
			Drill	(65)			(59)	(54)	(52)	
		Propane Gas - all	P/N	9870	9680		10370	38274		
			Drill	(70)	(65)		(59)	(57)		
		Natural Gas w/Opt AG 39 or 40 or 1st furnace of SSCBL with Opt AG41 or 42	P/N	9870	9680		10370	■	9791	
			Drill	(70)	(65)		(59)		(56)	
90	Burner Rack Isinglass	(2) 10756								
91	Manifold (less orifices)	86338	86339	86340	86342	86343	86344	86345		

**Manual Gas Valves - All Furnaces (Reference: For electric gas valves, see Form P-VALVES. Electric gas valves are identified from the heater Serial No.; see page 2.)**

<b>Pilot Shutoff Valve, P/N 3284</b> 	<b>Ball Valve Adapter</b>  1", P/N 110758; 1-1/4", P/N 110759; 1/2", P/N 120373; 3/4", P/N 120169	<b>125 PSIG Gas Valve</b>  1", P/N 159725; 1-1/4", P/N 159729	<b>Aluminum Shutoff Valves</b>  1/2", P/N 196910, with Union, P/N 15971; 3/4", P/N 196911, with Union, P/N 15972
---	---	---	--

**Heat Exchanger** - Applies to all Models (one heat exchanger per furnace section; directional baffles apply as listed)

Code	Description	SSCBL SC,SCA,SCB,SCE	Qty	500, 600 700, 1050 400, 800, 1200						
				100	125	150, 175	200, 225	250, 300	350	400
100	Heat Exchanger for SC, SCB, SCE, SSCBL (replacement gaskets, Code 101, are required)	Aluminized Steel	1	44301	44304	44307	44310	44313	44316	44319
		409 Stainless Steel	1	44302	44305	44308	44311	44314	44317	44320
		321 Stainless Steel	1	44303	44306	44309	44312	44315	44318	44321
	Heat Exchanger for SCA (replacement gaskets, Code 101, are required)	Aluminized Steel	1	44301	44304	44307	44310	30001	30002	30003
		409 Stainless Steel	1	44302	44305	44308	44311	30004	30005	30006
		321 Stainless Steel	1	44303	44306	44309	44312	30007	30008	30009
101	Heat Exchanger Gaskets for SC, SCA, SCB, SCE Series 3, 5, & 6 and SSCBL (required with replacement heat exchanger)		2	62921						
			2	62933						
102	Heat Exchanger Baffle Assy	Model SC	1	55094	55095	55096	55097	55098	55099	55100
103	Finger Baffle Support Bracket	Model SC		55101						
			>	(2)	(2)	(2)	(2)	(4)	(4)	(4)
104	Finger Baffle	Model SC		45399						
			>	(3)	(4)	(6)	(8)	(11)	(13)	(15)
105	Bottom Baffle Support	Model SC	1	46478	46484	46489	46494	46499	46504	46509
106	Rear Top Baffle Support	Model SC, HSC and SSCBL discharge unit	1	55103	55104	55106	55108	55110	55112	55114
107	Rear Top Baffle	Model SC	1	55116	55117	55119	55121	55123	55125	55127
108	Side Finger Baffle	Model SC	2	55128	55128	55128	55128	55128	55128	55128
109	Rear Top Baffle	Model HSC and SSCBL discharge unit	1	55228	55229	55231	55233	55235	55237	55239
110	Heat Exchanger Tube Baffles ("V" with Turbulators)	Series 6 - All Models		125170						
			>	(4)	(5)	(7)	(9)	(12)	(14)	(16)



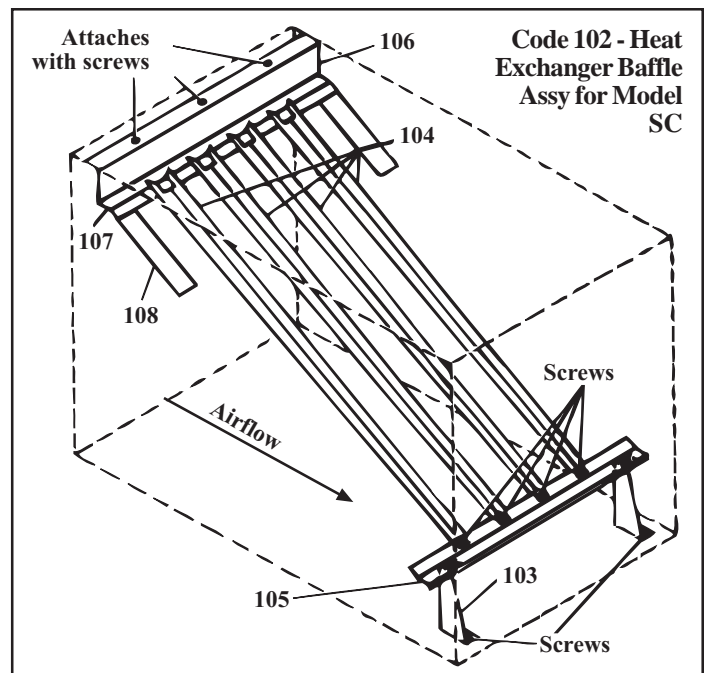
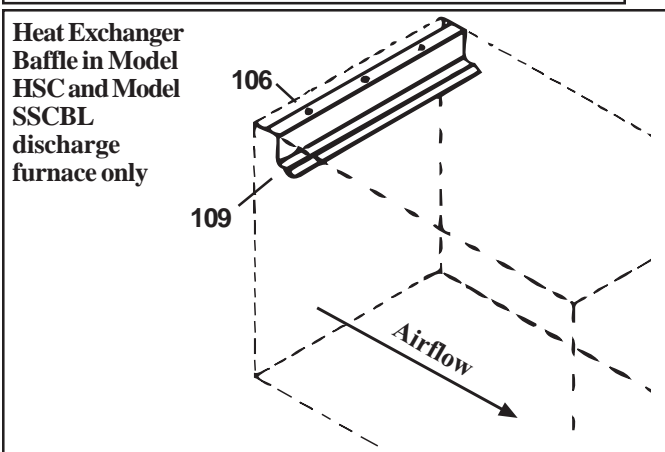
**Heat Exchanger Directional Air Baffles**

Directional air baffles cannot be installed in the replacement heat exchanger at the factory. They must be ordered separately and installed in the field.

1) Model SC is equipped with a heat exchanger directional air baffle assembly (Code 102) as illustrated below.



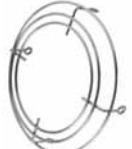



When replacing a heat exchanger, check to see if the baffle assembly can be salvaged. If the baffle assembly cannot be salvaged, order and install a replacement.

2) Model HSC and the discharge furnace only on a Model SSCBL are equipped with only a rear top baffle support (Code 106) and a rear top baffle (Code 109). If these parts cannot be salvaged, order and install replacements.



## Vent Terminal/Combustion Air Intake Components - All Models (one per furnace)

Code	Qty	P/N	Description
115	1	205883	<b>Complete Horizontal</b> Vent Terminal/Combustion Air Kit (Same as Option CC6) includes Codes 117, 118, 119, 120, 121, 124
116	1	205896	<b>Complete Vertical</b> Vent Terminal/Combustion Air Kit (Same as Option CC2) includes Codes 117, 118, 120 (not used), 122, 123, 124
<b>Components:</b>			
117	1	205885	Concentric Adapter Box Assembly (CC2 & CC6)
118	2	207232	Concentric Adapter Box Bracket (CC2 & CC6)
119	1	205894	Inlet Guard for Horizontal (Option CC6)
120	4	37661	#10-16 x 1/2" lg Screws to attach CODE 119
121	1	53316	Screened Exhaust for Horizontal (Option CC6)
122	1	53330	Inlet Air Cap for Vertical (Option CC2)
123	1	53326	Exhaust Cap for Vertical (Option CC2)
124	1	53335	Tube of High Temperature (450°F) Silicone Sealant
125	High Temperature Aluminum Tape, 1" x 10 yds (not illustrated), Same as Option FA1, P/N 98206		

<b>Code 117 - Concentric Adapter Assy for Separated Combustion Installation -- required on all Models</b>	<b>Heater Side</b> 	<b>Terminal Side</b> 
		
<b>Code 119 - Inlet Guard for Horizontal Inlet (replaces inlet screen)</b>		<b>Code 122 - Inlet Air Cap for Vertical Inlet</b>
<b>Code 121 - Screened Exhaust Cap for Horizontal Vent</b>		<b>Code 123 - Exhaust Cap for Vertical Vent</b> 

## Fan Components for Model SCA Fan-Type Unit Heater - add to cabinet parts on pages 4-5

**Front View**  
Showing Standard Horizontal Louvers



**Rear View**  
Showing Fan (Sizes 250-400 have dual fans)



Code	Description	Application (Model SCA)	Size						
			100	125	150/175	200/225	250/300	350	400
130A	Casing Back Panel	All Series 6	--	59289	59291	59293	73801	73802	73803
		C.G.A. Units prior to Series 6	■	59289	59291	59293	59295	59297	59299
130B	Fan Back	Size 100 Series 6	125137	■	■	■	■	■	■
130C	Fan Back Sides	Size 100 Series 6	(2)125136	■	■	■	■	■	■
131	Fan Blade	A.G.A. units prior to Series 6	■	125563 (replaces 3701) Lau	3501, 18x33x1/2	141598 (replaces 12625)	(2) 125566, Lau F07H0 1631, 16x36x1/2 (replaces 9774)	(2)3501, 18x33x1/2	(2)141598 (replaces 12625)
		C.G.A. units prior to Series 6	■	F07H0 1533, 15x38x1/2	141598 (replaces 12625)	141598, Lau F07H07 17.540 (replaces 43211)		(2) 141598, Lau F07H07 17.540 (replaces 43211)	(2)48701, 16x30x1/2
		All Series 6	41004, Lau FP-1437	125564, Lau F07H0 1729	17.540 (replaces 43211)		(2) 125566, Lau F07H0 15.531, 15.5x31x1/2 (replaces 9774)	(2) 141598, Lau F07H07 17.540 (replaces 43211)	
		Used with enclosed motor (Opt AL14)	41004	125563	125564	141598	(2) 125566	(2) 125564	(2) 141598
132	Fan Guard		110910	54328, 16"	45616, 18"		(2) 54328, 16"	(2) 45616, 18"	
133	Motor, 115V	All A.G.A. Units & C.G.A. Series 6	95548, 1/30HP	9892, 1/20HP	55681, 1/8HP	88781, 1/6HP	(2) 55681, 1/8HP	(2) 88781, 1/6HP	
		C.G.A. Units prior to Series 6	■	102380, 1/8HP (replaces 45888)	16072, 1/6HP (replaces 115416)		(2) 102380, 1/8HP (replaces 45888)	16072, 1/6HP (replaces 115416)	(2) 115417, 1/4HP (replaces 45890)
	Enclosed Motor, 115V, (Option AL14)		102380, 1/8HP	16072, 1/6HP (replaces 115416)	115417, 1/4HP	(2) 16072, 1/6HP (replaces 115416)	(2)115417, 1/4HP		

# Blower Components for Model SCB Blower-Type Unit Heater and Model SCE Blower-Type Unit with a Blower Cabinet - add to cabinet parts on pages 4-5

For blower motor, see pages 17-20.  
For drive components, see pages 27-31.

Front View of Model SCB Showing Standard Horizontal Louvers




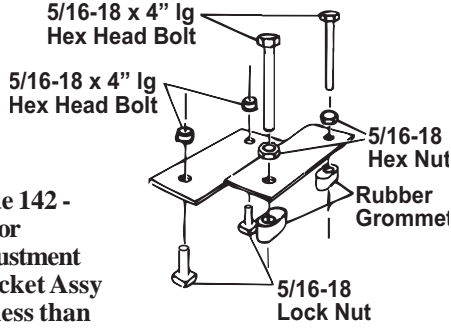
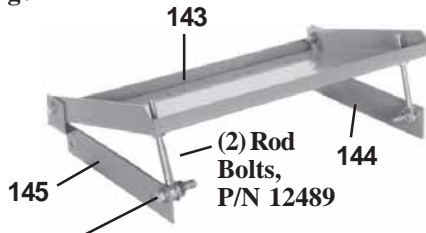



Rear View of Model SCB Showing Blower (Sizes 250-400 have dual blowers)



SCE Rear View Showing Standard Inlet Air Opening, Code 160A (does not accommodate dampers)

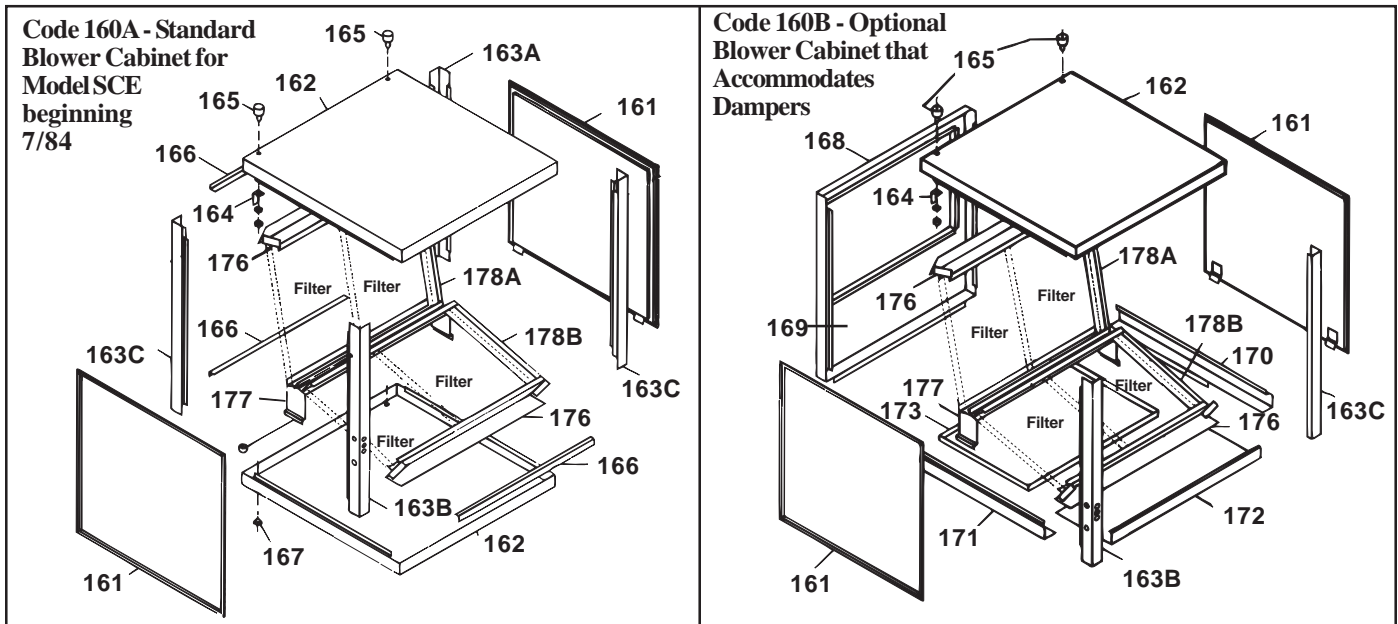


<p><b>Code 141 - Motor Support for less than 1 HP motor</b></p> 	<p><b>Code 146 - Replacement Rubber Feet and Hardware</b></p> 	<p><b>Code 151 - Belt Guard</b></p> 
<p><b>Code 142 - Motor Adjustment Bracket Assy for less than 1HP motor</b></p>  <p>5/16-18 x 4" lg Hex Head Bolt 5/16-18 x 4" lg Hex Head Bolt 5/16-18 Hex Nut Rubber Grommet 5/16-18 Lock Nut</p>	<p><b>Codes 143, 144, and 145 - Motor Mounting Plate Assy for motors 1HP and larger</b></p>  <p>143 144 145 (2) Rod Bolts, P/N 12489 (2) Bolt, P/N 16248; (2) Washers, P/N 1087; and (2) Nuts, P/N 6554</p>	<p><b>Code 152 - Blower Guard</b></p> 

Code	Description	Application	Size					
			125	150/175	200/225	250/300	350	400
140	Blower Back Assembly	SCB & SCE	193985	194053	194092	193987	194061	194062
141	Blower Motor Mounting Bracket	SCB & SCE with less than 1HP mtr	44409	44410	44411	44409	44410	44410
142	Motor Adjustment Bracket Assy	less than 1HP mtr	44411					
143	Blower Motor Mounting Plate	SCB & SCE with 1HP & larger motor	194117	12579	194117	12579	12579	12579
144	Blower Mtr Mounting Plate Left Support		12576					
145	Blower Mtr Mounting Plate Right Support		12577					
146	Rubber Feet and Mounting Hardware	SCB & SCE	64940					
147	Blower, Complete painted blower with Shaft and Bearings	Models SCB and SCE	1357, Lau A10-10A	36429, Lau A12-12AC-EXT-P	--	--	--	--
	Blower, Right Side less shaft and bearings		--	--	--	36430, Lau RH 2A10-10A	36432, Lau RH 2A12-12A	--
	Blower, Left Side less shaft and bearings		--	--	--	36431, Lau LH 2A10-10A	36433, Lau LH 2A12-12A	--
148	Blower Shaft		11302, 18x3/4	11303, 19x1	10120, 39-1/4x1	10121, 44-5/8x1		
149	Key 3/16" sq x 1-3/3" lg		19361	■	■	■	■	■
150	Blower Bearings		(2) 7310, Ball SCF-3/4	(2) 10437, Ball SCR16-1				
151	Belt Guard Assy	SCB only	193796	193797	193796	193796	193797	193797
152	Blower Inlet Guard		102474	102475				

# Blower Cabinet Parts for Model SCE - add to parts on pages 4-5 and 12

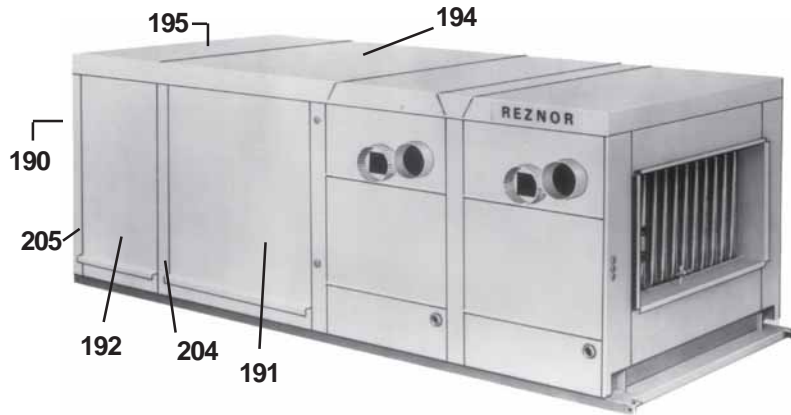
(Note: Filter rack and filters illustrated are optional and are *not* included in Code 160A or 160B)



Code	Blower Cabinet Parts - apply to Std and/or Opt cabinet as listed			Size					
				125	150/175	200/225	250/300	350	400
160A	Standard Cabinet	Shipped knocked down; assembly is required.		12545	12546	12547	12548	12549	12550
160B	Optional Cabinet			84215	84216	84217	84218	84219	84220
<b>Components:</b>									
			Qty						
161	Door <b>without</b> insulation	Std	2	51041		51042			
	Door <b>with</b> insulation	Opt	2	84221		84222			
162	Top & Btm <b>without</b> insulation	Std	2	11522	11529	11197	11564	11574	11583
	Top <b>with</b> insulation	Opt	1	11825	11842	11767	11856	11862	11777
163A	Corner Support	Std	1	11518		11211			
163B		Std & Opt	1	11519		19982			
163C		(2)Std; (1)Opt		11517		11210			
164	Hanger Support	Std & Opt	2	10219					
165	Hanger Assembly	Std & Opt	2	9557					
166	Duct Connecting Angle	Opt	2	11523	11530	11536	11567	11576	11584
167	Hole Plug 1/2"	Std & Opt	2	82413					
168	End Panel only (less insulation)	Opt	1	12075	12411	11540	12414	12029	11589
169	End Panel Insulation	Opt	1	11158	11165	11167	11176	11180	11184
170	Bottom Left Side	Opt	1	11203					
171	Bottom Right Side	Opt	1	11204					
172	Rear Bottom Section	Opt	1	11526	11533	11392	11571	11580	11393
173	Inlet Cap	Opt	1	12513	12514	11538	12515	12516	11587
174	Bottom Insulation	Opt	1	11155	11162	11167	11176	11180	11184
175	Filter Racks (less fltrs; assembly is required)	Filter rack is optional. Fits either Std or Opt cabinet.	1	24501	24503	24505	24507	24509	24511
176	Filter Support		2	19704	19710	19717	19723	19729	19736
177	Intermediate Filter Support Assy		1	19708	19715	19721	19727	19734	19742
178A	Filter Stop		1	■	■	■	■	19733	19740
178B	Filter Stop	1	■	■	■	■	■	19741	
179	Filters - See Below								
180	Inlet Screen, no dampers (same as Opt AZ3)			109134	109135	109136	109137	109138	109139
	Inlet Screen, w/dampers (same as Opt AZ4)			109146	109147	109148	109149	109150	109151
	Screens for horizontal and bottom openings w/dampers (same as Opt AZ5)			109152	109153	109154	109155	109156	109157

Code 179 - Optional Filters	Size						Code 179 (cont'd) - Optional Filters	Size					
	125	150/175	200/225	250/300	350	400		125	150/175	200/225	250/300	350	400
Disposable 16x20x1	■	■	(2)16445	■	■	■	Permanent 20x20x2	(2)101621	■	■	(2)101621	(1)101621	■
Disposable 16x25x1	■	■	(2)16447	■	■	(3)16447	Permanent 20x25x2	■	(2)101623	■	(2)101623	(3)101623	(2)101623
Disposable 20x20x1	(2)16448	■	■	(2)16448	(1)16448	■	Pleated 16x20x1	■	■	(2)104105	■	■	■
Disposable 20x25x1	■	(2)16446	■	(2)16446	(3)16446	(2)16446	Pleated 16x25x1	■	■	(2)104107	■	■	(3)104107
Permanent 16x20x1	■	■	(2)101607	■	■	■	Pleated 20x20x1	(2)104106	■	■	(2)104106	(1)104106	■
Permanent 16x25x1	■	■	(2)101609	■	■	(3)101609	Pleated 20x25x1	■	(2)104108	■	(2)104108	(3)104108	(2)104108
Permanent 20x20x1	(2)101608	■	■	(2)101608	(1)101608	■	Pleated 16x20x2	■	■	(2)104110	■	■	■
Permanent 20x25x1	■	(2)101610	■	(2)16446	(3)16446	(2)16446	Pleated 16x25x2	■	■	(2)104112	■	■	(3)104112
Permanent 16x20x2	■	■	(2)101620	■	■	■	Pleated 20x20x2	(2)104111	■	■	(2)104111	(1)104111	■
Permanent 16x25x2	■	■	(2)101622	■	■	(3)101622	Pleated 20x25x2	■	(2)104113	■	(2)104113	(3)104113	(2)104113

# Model SSCBL Blower Cabinet and Blower Parts



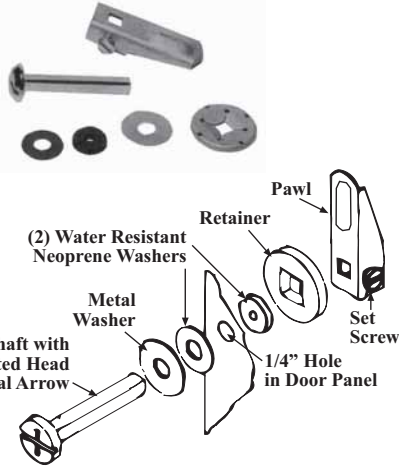
## Cross-Reference of End and Bottom Panel Options to Cabinet Openings

Cabinet Option	End Panel		Btm Panel	
	Solid	100% Open	Solid	100% Open
Std		X	X	
AR-4	X			X
AR-8	X		X	
AR-9	X		X	
AR-11		X		X
AR-12		X		X
AR-13		X		X
AR-14		X		X
AR-15		X		X
AR-16		X		X
AR-17		X		X
AR-18		X		X
AR-24		X		X

Code	Description	500/600	700/1050	400/800/1200
189	Cabinet Btm - Rt Half - solid (no opening)	106242	106243	106244
	Cabinet Btm - Lft Half - solid (no opening)	106238	106239	106240
	Cabinet Btm - Rt Half - return air opening	105606	105607	106608
	Cabinet Btm - Lft Half - return air opening	104365	104366	104367
190	End Panel Assy - solid (no opening)	103620	103621	103622
	End Panel Assy - solid (no opening) w/double-wall construction (Opt AY3)	105550	105551	103555
	End Panel Assy - 100% opening	103641	103642	103643
	End Panel Assy - 100% opening w/double-wall construction (Opt AY3)	105544	105545	105546
191	Blower Door - standard	(2)100347		
	Blower Door - w/double-wall construction (Opt AY3)	(2)104115		
192	Filter Cabinet Door Assy	(2)106276		
	Filter Cabinet Dr Assy - w/double-wall construction (Opt AY3)	(2)107350		
193	Replacement Door Latch	112974		
194	Blower Cabinet Front Top Section Assy	106280	106281	106282
195	Blower Cabinet Rear Top Section Assy	106286	106287	106288
196	Blower Cabinet Top Insulation Retainer	107350	107351	107352
197	Filter Cabinet Top Insulation Retainer	107354	107355	107356
198	BL Cabinet Leg #1, Left	105603		
199	BL Cabinet Leg #2, Right	105604		
200	Corner Post	(2)114761		
201	Cabinet Leg Cap Left	100069		
202	Cabinet Leg Cap Right	100071		
203	Cabinet Intermediate Post	(2)114762		
204	Cabinet Intermediate Post Cap	(2)104372		
205	Corner Post Cap	(2)100072		
206	Cabinet Top Front Panel	105610	105611	105612
207	Cabinet Bottom Front Panel	105614	105615	105616
208	Cabinet Vertical Blower Support Left	106299		
209	Cabinet Vertical Blower Support Right	106943		
210	Cabinet Horizontal Blower Support	(2)31576		
211	Cabinet and Panel Support	100078	100079	100080
212	Cabinet Top Support	105600	105601	105602
213	Bottom Filter Rack Assy - 1 & 2" fltrs	114711	114712	114713
214	Rear Filter Rack Assy - 1 & 2" fltrs	(2)	(2)	(2)
		114707	114708	114709
215	Front Filter Rack Assy - 1 & 2" fltrs	(2)	(2)	(2)
		114695	114696	114697
216	Top Filter Rack Assy - 1 & 2" fltrs	114719	114720	114721
217	Top Door Seal	(2)95487		
218	Blower Cabinet Adapter Back Assy	163833	163834	148429
219	Motor Mounting Plate Assy	106295		
220	Motor Mounting Bolts	See illustration, pg 15.		

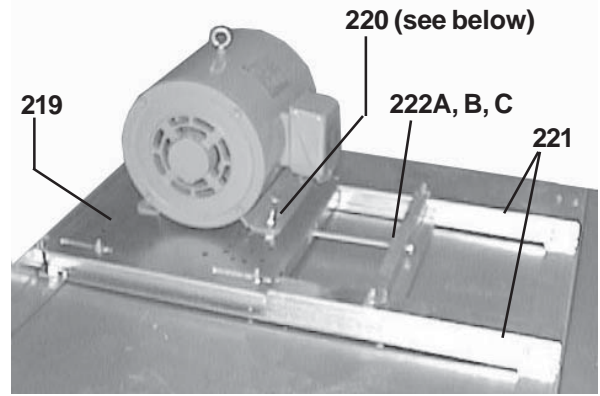
Code	Description	500/600	700/1050	400/800/1200
221	Motor Mounting Support Assy (support rails for motor mounting plate, Code 219)	< 15HP motor	(2)106698	
		<15HP w/(Opt PC12) vibration isolation	149008 (qty changes to one because assembly includes both rails)	
		15 & 20 HP		
222A	Mtr Adjustment Angle (w/ Code 222B & 222C allows motor to be moved for drive adjustment)	< 15HP motor	105633	
		<15HP w/(Opt PC12) vibration isolation	149010	
		15 & 20 HP	149010	
222B	Motor Adjustment Bolt 3/8 - 16 x 7" lg	106275 (used with 222A & C)		
222C	Adjustment Bolt Hex Nut 3/8 - 16	1438 (used with 222A & B)		
223	Blower (Housing and Wheel) Lau 15 x 9, 1-3/16	(2) 106296	--	--
224	Blower (Housing and Wheel) Lau 15 x 11, 1-3/16	--	(2)14469	
225	Blower Shaft 1-3/16 x 37" long	106297	--	--
	Blower Shaft 1-3/16 x 42-1/2" long	--	106298	--
	Blower Shaft 1-3/16 x 48" long	--	--	13589
226	Blower Bearing, 1-3/16", less than 5HP	(2) 14474, Fafair #E8317		
227	Vertical Blower Support - Right	106943		
228	Vertical Blower Support - Left	106299		
229	Bearing Bracket, 1-3/16	(2) 24233, Lau #014431-02		
230	Heavy Duty Blower Right Lau 15 x 9 (15-20HP motors)	106935	--	--
231	Heavy Duty Blower Left Lau 15 x 9 (15-20HP motors)	106936	--	--
232	Heavy Duty Blower Right Lau 15 x 11 (15-20HP motors)	--	106937	
233	Heavy Duty Blower Left Lau 15 x 11 (15-20HP motors)	--	106938	
234	Blower Shaft Key (used with heavy duty blowers)	(4) 134638		
235	Blower Shaft Heavy Duty Blower 1-7/16 x 42" long	106939	--	--
	Blower Shaft Heavy Duty Blower 1-7/16 x 47-1/2" long	--	106940	--
	Blower Shaft Heavy Duty Blower 1-7/16 x 53" long	--	--	106941
236	Pillow Block Bearing, 1-7/16 Bore, Dodge P2BS2107R	(2) 170108 (replaces P/N 106942)		
237	Class II Blower Support - Right Side	149520		
238	Class II Blower Support - Left Side	149521		
239	Air Flow Switch Pitot Sense Probe (part of Option BW1)	111733		

**CODE 193 -  
Replacement Door  
Latch Kit,  
P/N 112974**

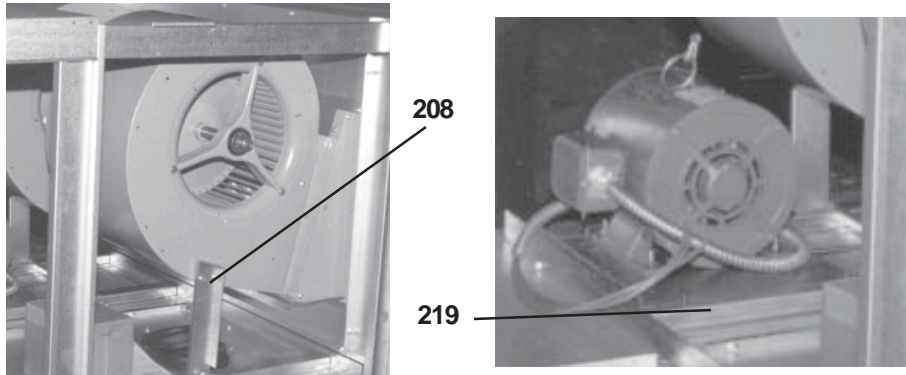


Assembly sequence for installing replacement door latch.

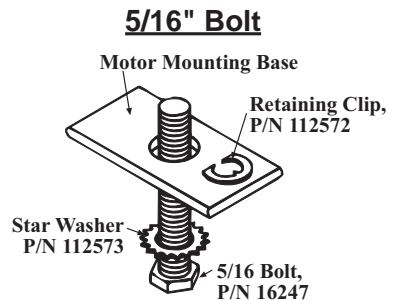
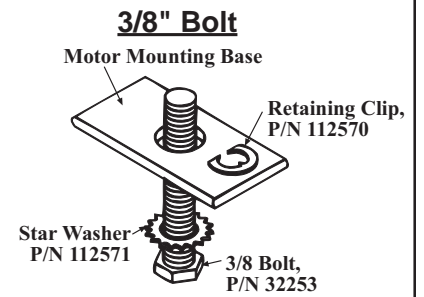
**Parts for Motor Support, Mounting, and Adjusting**



**Blower, Bearing Support, and Motor on unit with up to a 5 HP Motor**

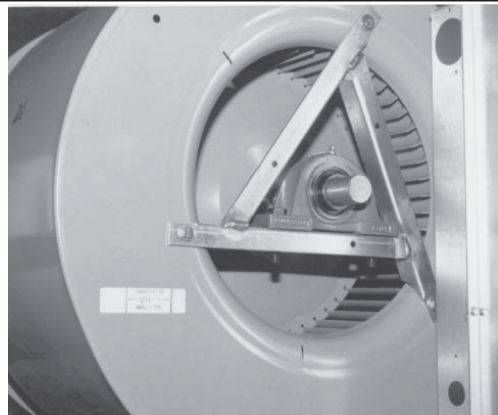


**Code 220 - Motor Mounting Bolts**

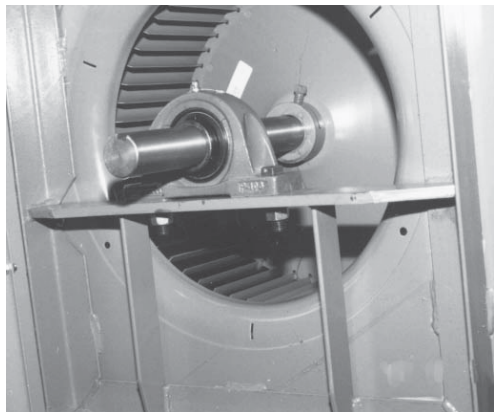


**Blower Triangular Bearing Mounting for SSCBL with a 7-1/2 or 10 HP Motor**

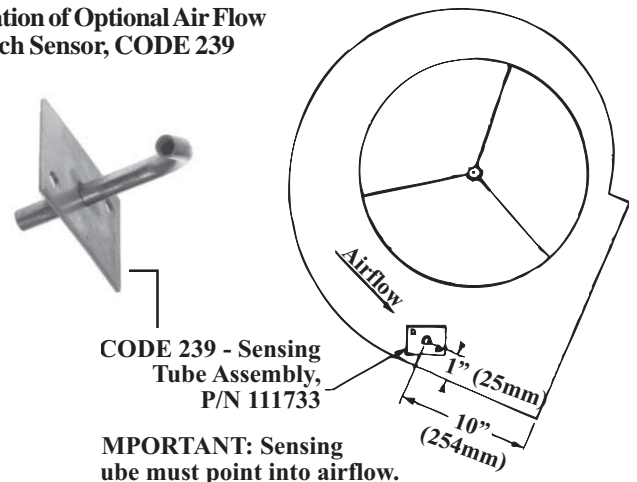
Description	P/N
Left Bearing Support Assy	112971
Right Bearing Support Assy	112972
Pillowblock Bearing	(2) 112973
Sealmaster 1/16"	
90° Grease Fitting	195834
1/2-13 x 2" Cap Screw GR-8	(4) 111304
1/2-13 Nut GR-8	(4) 111305
1/2 Lockwasher	(4) 111306
1/4-20 Cap Screws	(6) 16246
1/4-20 Lock Nut	(6) 10650



**Blower and Bearing on a unit with a 15 and 20 HP Motor (See CODES 230-238)**



**Location of Optional Air Flow Switch Sensor, CODE 239**



# Replacement Filters/Blockoff Plates - Models SSCBL and SSCDBL

For filter rack parts, see Codes 213-216 on page 14.

SSCBL 400, 800, 1200; SSCDBL 800, 1600 (2 sets)	SSCBL 500,600; SSCDBL 1000, 1200 (2 sets)	SSCBL 700,1050; SSCDBL 1400 (2 sets)
<b>Filter Arrangements for 1" or 2" Disposable Filters (Options AW2 and AW7)</b>		
<p>Blockoff Plates: (1) 106334; (4) 114337</p>	<p>Blockoff Plates: (1) 106332; (4) 114338</p>	<p>Blockoff Plates: (1) 106332; (4) 114336</p>
<b>Filter Arrangements for 1" or 2" Disposable Pleated Filters (Options AW10 and AW11)</b>		
<p>Blockoff Plates: (1) 106334; (4) 114335</p>	<p>Blockoff Plates: (1) 106332; (4) 114337</p>	<p>Blockoff Plates: (1) 106333</p>
<b>Filter Arrangements for 1" or 2" Permanent Filters (Options AW8 and AW9)</b>		
<p>Blockoff Plates: (1) 106334</p>	<p>Blockoff Plates: (1) 106334</p>	<p>Blockoff Plates: (1) 106332</p>

Filter Type	Qty	Size	1" Filter		2" Filter		Qty	Size	1" Filter		2" Filter	
			SSCBL 400, 800, 1200	SSCBL 500, 600	SSCBL 700, 1050							
Disposable 1" or 2"	2	16 x 16	66596	104101	1	16 x 25	16447	104099	2	16 x 25	16447	104099
	1	16 x 25	16447	104099	1	16 x 20	16445	104097	4	12 x 30	114328	114323
	4	12 x 25	114327	114318	4	12 x 20	114326	114317	4	12 x 20	114326	114317
	4	12 x 30	114328	114323	4	12 x 25	114327	114318				
Permanent 1" or 2"	2	16 x 16	104102	104103	1	16 x 20	101607	101620	2	16 x 25	101609	101622
	8	12 x 16	114334	114325	4	12 x 20	114332	114321	8	12 x 26	114333	114322
	1	16 x 25	101609	101622	1	16 x 25	101609	101622				
	4	12 x 26	114333	114322	4	12 x 26	114333	114322				
Pleated 1" or 2"	2	16 x 16	104104	104109	1	16 x 20	104105	104110	2	16 x 25	104107	104112
	4	12 x 25	114330	114320	1	16 x 25	104107	104112	4	12 x 32	114331	104324
	1	16 x 25	104107	104112	4	12 x 20	114329	114319	4	12 x 20	114329	114319
	4	12 x 32	114331	114324	4	12 x 25	114330	114320				
Disposable 1" or 2"	SSCDBL 800, 1600		SSCDBL 1000, 1200		SSCDBL 1400							
	4	16 x 16	66596	104101	2	16 x 25	16447	104099	4	16 x 25	16447	104099
	2	16 x 25	16447	104099	2	16 x 20	16445	104097	8	12 x 30	114328	114323
	8	12 x 25	114327	114318	8	12 x 20	114326	114317	8	12 x 20	114326	114317
Permanent 1" or 2"	4	16 x 16	104102	104103	2	16 x 20	101607	101620	4	16 x 25	101609	101622
	16	12 x 16	114334	114325	8	12 x 20	114332	114321	16	12 x 26	114333	114322
	2	16 x 25	101609	101622	2	16 x 25	101609	101622				
	8	12 x 26	114333	114322	8	12 x 26	114333	114322				
Pleated 1" or 2"	2	16 x 16	104104	104109	2	16 x 20	104105	104110	4	16 x 25	104107	104112
	8	12 x 25	114330	114320	2	16 x 25	104107	104112	8	12 x 32	114331	104324
	2	16 x 25	104107	104112	8	12 x 20	114329	114319	8	12 x 20	114329	114319
	8	12 x 32	114331	114324	8	12 x 25	114330	114320				



# Replacement Blower Motors and Starters

## Replacement Motors (Tables on pages 17 - 22)

Motors that are highlighted in gray **do not** have internal overload protection and must be used with the motor starter and overload listed. See CODE 333, page 27, for standard motor contactor for motors with internal overloads.

## Replacement IEC Starters and Overloads (listed by motor)

When ordering a replacement IEC starter (contactor) or overload, check the manufacturer's number on both parts. If the number is different than that listed, both components must be replaced. IEC Starter (contactor) and overload are mounted on rail, P/N 111387. Replacement holding coils are listed on page 22.

If the motor has a NEMA starter, see the replacement parts on page 23.



## Model SCB - Replacement Blower Motors and 24V Motor Starters

Motor									Service Factor	Power Factor	Eff. %	Reznor P/N	Starter (24V)	Reznor P/N	Overload GE#	o.l. min	o.l. max
Type	HP	P/N	Mfr No.	Frame	fla	Shaft	volt	ph									
OPEN	1/4	210611	AO-BF2024	48/56	4.6	1/2"	115	1	1.35			151275	CL00A310T-1	151191	RTA1-L	4.00	6.30
OPEN	1/4	210611	AO-BF2024	48/56	2.3	1/2"	208	1	1.35			151275	CL00A310T-1	151189	RTA1-J	1.80	2.70
OPEN	1/4	210611	AO-BF2024	48/56	2.3	1/2"	240	1	1.35			151275	CL00A310T-1	151189	RTA1-J	1.80	2.70
OPEN	1/4	115864	AO-H200	K48	1.1	1/2"	208	3	1.35	72	74	151275	CL00A310T-1	151187	RTA1-G	1.00	1.50
OPEN	1/4	115864	AO-H200	K48	1.4	1/2"	240	3	1.35	72	74	151275	CL00A310T-1	151187	RTA1-G	1.00	1.50
OPEN	1/4	115864	AO-H200	K48	0.75	1/2"	480	3	1.35	72	81	151275	CL00A310T-1	151186	RTA1-F	0.65	1.10
OPEN	1/3	202091	AO-BF2034	48/56	6.0	1/2"	115	1	1.35			151275	CL00A310T-1	151191	RTA1-L	4.00	6.30
OPEN	1/3	202091	AO-BF2034	48/56	3.0	1/2"	208	1	1.35			151275	CL00A310T-1	151190	RTA1-K	2.50	4.10
OPEN	1/3	115863	AO-H260	K48	1.4	1/2"	208	3	1.35			151275	CL00A310T-1	151187	RTA1-G	1.00	1.50
OPEN	1/3	115863	AO-H260	K48	1.6	1/2"	240	3	1.35			151275	CL00A310T-1	151188	RTA1-H	1.30	1.90
OPEN	1/3	115863	AO-H260	K48	0.8	1/2"	480	3	1.35			151275	CL00A310T-1	151186	RTA1-F	0.65	1.10
OPEN	1/2	102627	AO-BF2054	56Z	8.8	5/8"	120	1	1.15			151275	CL00A310T-1	151193	RTA1-N	8.00	12.00
OPEN	1/2	102627	AO-BF2054	56Z	5.1	5/8"	208	1	1.15			151275	CL00A310T-1	151191	RTA1-L	4.00	6.30
OPEN	1/2	102627	AO-BF2054	56Z	4.4	5/8"	240	1	1.15			151275	CL00A310T-1	151191	RTA1-L	4.00	6.30
OPEN	1/2	159183	AO-H880	LA56	2.5	5/8"	208	3	1.25			151275	CL00A310T-1	151189	RTA1-J	1.80	2.70
OPEN	1/2	159183	AO-H880	LA56	3.0	5/8"	240	3	1.25			151275	CL00A310T-1	151190	RTA1-K	2.50	4.10
OPEN	1/2	159183	AO-H880	LA56	1.5	5/8"	480	3	1.25			151275	CL00A310T-1	151188	RTA1-H	1.30	1.90
OPEN	3/4	93548	AO-312P629	B56	11.0	5/8"	120	1	1.25			151276	CL01A310T-1	151194	RTA1-P	10.00	16.00
OPEN	3/4	93548	AO-312P629	B56	6.3	5/8"	208	1	1.25			151275	CL00A310T-1	151192	RTA1-M	5.50	8.50
OPEN	3/4	93548	AO-312P629	B56	5.5	5/8"	240	1	1.25			151275	CL00A310T-1	151191	RTA1-L	4.00	6.30
OPEN	3/4	36951	AO-312P696	D56	2.9	5/8"	208	3	1.25			151275	CL00A310T-1	151190	RTA1-K	2.50	4.10
OPEN	3/4	36951	AO-312P696	D56	2.6	5/8"	240	3	1.25			151275	CL00A310T-1	151190	RTA1-K	2.50	4.10
OPEN	3/4	36951	AO-312P696	D56	1.3	5/8"	480	3	1.25			151275	CL00A310T-1	151187	RTA1-G	1.00	1.50
OPEN	1	13685	AO-C523	H56	13.0	5/8"	120	1	1.25			151276	CL01A310T-1	151194	RTA1-P	10.00	16.00
OPEN	1	13685	AO-C523	H56	7.5	5/8"	208	1	1.25			151275	CL00A310T-1	151192	RTA1-M	5.50	8.50
OPEN	1	13685	AO-C523	H56	6.5	5/8"	240	1	1.25			151275	CL00A310T-1	151192	RTA1-M	5.50	8.50
OPEN	1	36580	AO-H882	F56	3.7	5/8"	208	3	1.15	79		151275	CL00A310T-1	151190	RTA1-K	2.50	4.10
OPEN	1	36580	AO-H882	F56	3.2	5/8"	240	3	1.15	79		151275	CL00A310T-1	151190	RTA1-K	2.50	4.10
OPEN	1	36580	AO-H882	F56	1.6	5/8"	480	3	1.15	79		151275	CL00A310T-1	151188	RTA1-H	1.30	1.90
OPEN	1.5	194202	AO-C621	56	15.0	5/8"	120	1	1.2	86.4	77.2	151276	CL01A310T-1	151194	RTA1-P	10.00	16.00
OPEN	1.5	194202	AO-C621	56	7.8	5/8"	208	1	1.2	86.4	77.2	151275	CL00A310T-1	151192	RTA1-M	5.50	8.50
OPEN	1.5	194202	AO-C621	56	7.5	5/8"	240	1	1.2	86.4	77.2	151275	CL00A310T-1	151192	RTA1-M	5.50	8.50
OPEN	1.5	115859	AO-H884	UA56	5.6	5/8"	208	3	1.15	66.4	78.6	151275	CL00A310T-1	151191	RTA1-L	4.00	6.30
OPEN	1.5	115859	AO-H884	UA56	5.0	5/8"	240	3	1.15	66.4	78.6	151275	CL00A310T-1	151191	RTA1-L	4.00	6.30
OPEN	1.5	115859	AO-H884	UA56	2.8	5/8"	480	3	1.15	66.4	78.6	151275	CL00A310T-1	151190	RTA1-K	2.50	4.10
OPEN	2	202581	AO-RB1204A	56H	24.6	5/8"	120	1				151279	CL04A310M-1	151198	RTA1-U	21.00	26.00
OPEN	2	202581	AO-RB1204A	56H	12.3	5/8"	208	1				151276	CL01A310T-1	151194	RTA1-P	10.00	16.00
OPEN	2	202581	AO-RB1204A	56H	12.3	5/8"	240	1				151276	CL01A310T-1	151194	RTA1-P	10.00	16.00
OPEN	2	159327	AO-H886	56HZ	7.0	7/8"	208	3	1.15	67	79	151275	CL00A310T-1	151192	RTA1-M	5.50	8.50
OPEN	2	159327	AO-H886	56HZ	6.6	7/8"	240	3	1.15	67	79	151275	CL00A310T-1	151192	RTA1-M	5.50	8.50
OPEN	2	159327	AO-H886	56HZ	3.5	7/8"	480	3	1.15	67	79	151275	CL00A310T-1	151190	RTA1-K	2.50	4.10
OPEN	3	111560	AO-B735	L56	13.7	5/8"	208	1	1.15			151276	CL01A310T-1	151194	RTA1-P	10.00	16.00
OPEN	3	111560	AO-B735	L56	12.4	5/8"	230	1	1.15			151276	CL01A310T-1	151194	RTA1-P	10.00	16.00
OPEN	3	159185	AO-H845	P56HZ	9.0	7/8"	208	3	1.15			151275	CL00A310T-1	151193	RTA1-N	8.00	12.00
OPEN	3	159185	AO-H845	P56HZ	8.6	7/8"	240	3	1.15			151275	CL00A310T-1	151193	RTA1-N	8.00	12.00
OPEN	3	159185	AO-H845	P56HZ	4.3	7/8"	480	3	1.15			151275	CL00A310T-1	151191	RTA1-L	4.00	6.30
TEFC	1/4	105566	AO-STK904	M48	3.6	1/2"	120	1				151275	CL00A310T-1	151190	RTA1-K	2.50	4.10
TEFC	1/4	16074	AO-108152	J56	2.2	5/8"	208	1				151275	CL00A310T-1	151189	RTA1-J	1.80	2.70
TEFC	1/4	16074	AO-108152	J56	1.9	5/8"	240	1				151275	CL00A310T-1	151189	RTA1-J	1.80	2.70
TEFC	1/4	16075	AO-125439	B56	1.6	5/8"	208	3				151275	CL00A310T-1	151188	RTA1-H	1.30	1.90
TEFC	1/4	16075	AO-125439	0	1.4	5/8"	240	3				151275	CL00A310T-1	151188	RTA1-H	1.30	1.90
TEFC	1/4	16075	AO-125439	B56	0.7	5/8"	480	3				151275	CL00A310T-1	151186	RTA1-F	0.65	1.10

# Replacement Blower Motors and Starters (cont'd)

## Model SCB - Replacement Blower Motors and 24V Motor Starters (cont'd) - See instructions on page 17.

Motor									Service Factor	Power Factor	Eff. %	Reznor P/N	Starter	Reznor P/N	Overload GE#	o.l. min	o.l. max
Type	HP	P/N	Mfr No.	Frame	fla	Shaft	volt	ph									
TEFC	1/3	115861	AO-STK906	N48	4.6	1/2"	120	1				151275	CL00A310T-1	151191	RTA1-L	4.00	6.30
TEFC	1/3	159501	AO-C151	N48	2.3	1/2"	208	1				151275	CL00A310T-1	151189	RTA1-J	1.80	2.70
TEFC	1/3	159501	AO-C151	N48	2.4	1/2"	240	1				151275	CL00A310T-1	151189	RTA1-J	1.80	2.70
TEFC	1/3	105567	AO-H261	L48	1.2	1/2"	208	3				151275	CL00A310T-1	151187	RTA1-G	1.00	1.50
TEFC	1/3	105567	AO-H261	L48	1.2	1/2"	240	3				151275	CL00A310T-1	151187	RTA1-G	1.00	1.50
TEFC	1/3	105567	AO-H261	L48	0.6	1/2"	480	3				151275	CL00A310T-1	151184	RTA1-D	0.40	0.65
TEFC	1/2	159184	AO-C613	J56	7.2	5/8"	120	1				151275	CL00A310T-1	151192	RTA1-M	5.50	8.50
TEFC	1/2	159184	AO-C613	J56	3.5	5/8"	208	1				151275	CL00A310T-1	151190	RTA1-K	2.50	4.10
TEFC	1/2	159184	AO-C613	J56	3.6	5/8"	240	1				151275	CL00A310T-1	151190	RTA1-K	2.50	4.10
TEFC	1/2	16077	AO-H274	H56	2.3	5/8"	208	3	1	59.5	74.8	151275	CL00A310T-1	151189	RTA1-J	1.80	2.70
TEFC	1/2	16077	AO-H274	H56	2.0	5/8"	240	3	1	59.5	74.8	151275	CL00A310T-1	151189	RTA1-J	1.80	2.70
TEFC	1/2	16077	AO-H274	H56	1.0	5/8"	480	3	1	59.5	74.8	151275	CL00A310T-1	151186	RTA1-F	0.65	1.10
TEFC	3/4	115860	AO-F353	F56	11.0	5/8"	120	1				151276	CL01A310T-1	151194	RTA1-P	10.00	16.00
TEFC	3/4	115860	AO-F353	F56	5.4	5/8"	208	1				151275	CL00A310T-1	151191	RTA1-L	4.00	6.30
TEFC	3/4	159184	AO-F353	F56	5.5	5/8"	240	1				151275	CL00A310T-1	151191	RTA1-L	4.00	6.30
TEFC	3/4	20371	AO-H580	KA56	2.0	5/8"	208	3	1	73.5	81.1	151275	CL00A310T-1	151189	RTA1-J	1.80	2.70
TEFC	3/4	20371	AO-H580	KA56	2.2	5/8"	240	3	1	73.5	81.1	151275	CL00A310T-1	151189	RTA1-J	1.80	2.70
TEFC	3/4	20371	AO-H580	KA56	1.1	5/8"	480	3	1	73.5	81.1	151275	CL00A310T-1	151187	RTA1-G	1.00	1.50
TEFC	1	174993	AO-159105	L56	12.0	5/8"	120	1				151276	CL01A310T-1	151194	RTA1-P	10.00	16.00
TEFC	1	174993	AO-159105	L56	6.2	5/8"	208	1				151275	CL00A310T-1	151191	RTA1-L	4.00	6.30
TEFC	1	174993	AO-159105	L56	6.0	5/8"	240	1				151275	CL00A310T-1	151191	RTA1-L	4.00	6.30
TEFC	1	16080	AO-H524	J56	3.3	5/8"	208	3	1	74.4	82	151275	CL00A310T-1	151190	RTA1-K	2.50	4.10
TEFC	1	16080	AO-H524	J56	3.4	5/8"	240	3	1	74.4	82	151275	CL00A310T-1	151190	RTA1-K	2.50	4.10
TEFC	1	16080	AO-H524	J56	1.7	5/8"	480	3	1	74.4	82	151275	CL00A310T-1	151188	RTA1-H	1.30	1.90
TEFC	1.5	94347	AO-31P402	TK56H	16.4	5/8"	120	1				151277	CL02A310T-1	151196	RTA1-S	14.50	18.00
TEFC	1.5	94347	AO-31P402	TK56H	9.5	5/8"	208	1				151275	CL00A310T-1	151193	RTA1-N	8.00	12.00
TEFC	1.5	94347	AO-31P402	TK56H	8.2	5/8"	240	1				151275	CL00A310T-1	151193	RTA1-N	8.00	12.00
TEFC	1.5	101286	AO-H535	L56H	4.3	5/8"	208	3	1	80.9	82.4	151275	CL00A310T-1	151191	RTA1-L	4.00	6.30
TEFC	1.5	101286	AO-H535	L56H	4.4	5/8"	240	3	1	80.9	82.4	151275	CL00A310T-1	151191	RTA1-L	4.00	6.30
TEFC	1.5	101286	AO-H535	L56H	2.2	5/8"	480	3	1	80.9	82.4	151275	CL00A310T-1	151189	RTA1-J	1.80	2.70
TEFC	2	105572	AO-K200	F182T	2.4	1-1/8"	120	1				151279	CL04A310M-1	151198	RTA1-U	21.00	26.00
TEFC	2	205881	L3516TM	56HZ	8.3	7/8"	240	1	1.15	99	78	151275	CL00A310T-1	151192	RTA1-M	5.50	8.50
TEFC	2	158165	AO-E166	145T	7.0	7/8"	208	3				151275	CL00A310T-1	151192	RTA1-M	5.50	8.50
TEFC	2	158165	AO-E166	145T	5.8	7/8"	240	3				151275	CL00A310T-1	151191	RTA1-L	4.00	6.30
TEFC	2	158165	AO-E166	145T	2.9	7/8"	480	3				151275	CL00A310T-1	151190	RTA1-K	2.50	4.10
TEFC	3	111564	AO-K222	F184T	30.0	1-1/8"	120	1				151279	CL04A310M-1	151199	RTA1-V	25.00	32.00
TEFC	3	111564	AO-K222	F184T	15.0	1-1/8"	240	1				151277	CL02A310T-1	151196	RTA1-S	14.50	18.00
TEFC	3	159330	B - M3559T	145T	7.9	7/8"	208	3				151275	CL00A310T-1	151192	RTA1-N	5.50	8.50
TEFC	3	159330	B - M3559T	145T	7.2	7/8"	240	3				151275	CL00A310T-1	151192	RTA1-N	5.50	8.50
TEFC	3	159330	B - M3559T	145T	3.6	7/8"	480	3				151275	CL00A310T-1	151190	RTA1-K	2.50	4.10
TEFC	5	111567	AO-K223	F184T	20.2	1-1/8"	240	1				151278	CL25A310T-1	151197	RTA1-T	17.50	22.00
TEFC	5	155048	AO-E241	184T	16	1-1/8"	208	3				151277	CL02A310T-1	151196	RTA1-S	14.50	18.00
TEFC	5	155048	AO-E241	184T	12	1-1/8"	240	3				151276	CL01A310T-1	151194	RTA1-P	10.00	16.00
TEFC	5	155048	AO-E241	184T	6	1-1/8"	480	3				151275	CL00A310T-1	151191	RTA1-L	4.00	6.30

## Model SCE, SSCBL, and SSCDBL - Replacement Blower Motors and Line Voltage Motor Starters - See instructions on page 17.

Motor							Service Factor	Power Factor	Eff. %	Reznor P/N	Starter (line voltage)	Reznor P/N	Overload GE#	o.l. min	o.l. max
Type	HP	P/N	Mfr No.	fla	volt	ph									
OPEN	1/4	210611	BF2024	4.6	120	1	1.35			151146	CL00A310T-J	151191	RTA1-L	4.00	6.30
OPEN	1/4	210611	BF2024	2.3	208	1	1.15	63	59	151150	CL00A310T-L	151189	RTA1-J	1.90	2.70
OPEN	1/4	210611	BF2024	2.3	240	1	1.15	63	59	151147	CL00A310T-S	151189	RTA1-J	1.90	2.70
OPEN	1/4	115864	H200	1.1	208	3	1.35	72	74	151150	CL00A310T-L	151187	RTA1-G	1.00	1.50
OPEN	1/4	115864	H200	1.4	240	3	1.35	72	74	151147	CL00A310T-S	151187	RTA1-G	1.00	1.50
OPEN	1/4	115864	H200	0.75	480	3	1.35	72	81	151148	CL00A310T-U	151186	RTA1-F	0.65	1.10
OPEN	1/3	202091	BF2034	6	120	1	1.35			151146	CL00A310T-J	151191	RTA1-L	4.00	6.30
OPEN	1/3	202091	BF2034	3	208	1	1.35	62.8	61.3	151150	CL00A310T-L	151190	RTA1-K	2.50	4.10
OPEN	1/3	202091	BF2034	3	240	1	1.35	62.8	61.3	151147	CL00A310T-S	151190	RTA1-K	2.50	4.10
OPEN	1/3	115863	H260	1.4	208	3	1.35			151150	CL00A310T-L	151187	RTA1-G	1.00	1.50
OPEN	1/3	115863	H260	1.6	240	3	1.35			151147	CL00A310T-S	151188	RTA1-H	1.30	1.90
OPEN	1/3	115863	H260	0.8	480	3	1.35			151148	CL00A310T-U	151186	RTA1-F	0.65	1.10
OPEN	1/2	102627	BF2054	8.8	120	1	1.15			151146	CL00A310T-J	151193	RTA1-N	8.00	12.00
OPEN	1/2	102627	BF2054	5.1	208	1	1.15			151150	CL00A310T-L	151191	RTA1-L	4.00	6.30
OPEN	1/2	102627	BF2054	4.4	240	1	1.15			151147	CL00A310T-S	151191	RTA1-L	4.00	6.30

## Replacement Blower Motors and Starters (cont'd)

### Model SCE, SSCBL, and SSCDBL - Replacement Blower Motors and Line Voltage Motor Starters (cont'd)

Motor							Service Factor	Power Factor	Eff. %	Reznor P/N	Starter (line voltage)	Reznor P/N	Overload GE#	o.l. min	o.l. max
Type	HP	P/N	Mfr No.	fla	volt	ph									
OPEN	1/2	159183	H880	2.5	208	3	1.25			151150	CL00A310T-L	151189	RTA1-J	1.90	2.70
OPEN	1/2	159183	H880	3	240	3	1.25			151147	CL00A310T-S	151190	RTA1-K	2.50	4.10
OPEN	1/2	159183	H880	1.5	480	3	1.25			151148	CL00A310T-U	151188	RTA1-H	1.30	1.90
OPEN	1/2	202089	AOS - H991		575	3				Contact distributor or factory service for replacement P/N's.					
OPEN	3/4	93548	312P629	11	120	1	1.25			151151	CL01A310T-J	151194	RTA1-P	10.00	16.00
OPEN	3/4	93548	312P629	6.3	208	1	1.25			151150	CL00A310T-L	151192	RTA1-M	5.50	8.50
OPEN	3/4	93548	312P629	5.5	240	1	1.25			151147	CL00A310T-S	151191	RTA1-L	4.00	6.30
OPEN	3/4	36951	312P696	2.9	208	3	1.25			151150	CL00A310T-L	151190	RTA1-K	2.50	4.10
OPEN	3/4	36951	312P696	2.6	240	3	1.25			151147	CL00A310T-S	151190	RTA1-K	2.50	4.10
OPEN	3/4	36951	312P696	1.3	480	3	1.25			151148	CL00A310T-U	151187	RTA1-G	1.00	1.50
OPEN	3/4	202090	AOS - H992		575	3				Contact distributor or factory service for replacement P/N's.					
OPEN	1	13685	C523	13	120	1	1.25			151151	CL01A310T-J	151194	RTA1-P	10.00	16.00
OPEN	1	13685	C523	7.5	208	1	1.25			151150	CL00A310T-L	151192	RTA1-M	5.50	8.50
OPEN	1	13685	C523	6.5	240	1	1.25			151147	CL00A310T-S	151192	RTA1-M	5.50	8.50
OPEN	1	36580	H882	3.7	208	3	1.15		79	151150	CL00A310T-L	151190	RTA1-K	2.50	4.10
OPEN	1	36580	H882	3.2	240	3	1.15		79	151147	CL00A310T-S	151190	RTA1-K	2.50	4.10
OPEN	1	36580	H882	1.6	480	3	1.15		79	151148	CL00A310T-U	151188	RTA1-H	1.30	1.90
OPEN	1	158175	E1006	1.1	575	3	1.15		82.5	151149	CL00A310T-Y	151187	RTA1-G	1.00	1.50
OPEN	1.5	194202	C621	15	120	1	1.2	86.4	77.2	151156	CL02A310T-J	151194	RTA1-P	10.00	16.00
OPEN	1.5	194202	C621	7.8	208	1	1.2	86.4	77.2	151150	CL00A310T-L	151192	RTA1-M	5.50	8.50
OPEN	1.5	194202	C621	7.5	240	1	1.2	86.4	77.2	151147	CL00A310T-S	151192	RTA1-M	5.50	8.50
OPEN	1.5	115859	H884	5.6	208	3	1.15	66.4	78.6	151150	CL00A310T-L	151191	RTA1-L	4.00	6.30
OPEN	1.5	115859	H884	5	240	3	1.15	66.4	78.6	151147	CL00A310T-S	151191	RTA1-L	4.00	6.30
OPEN	1.5	115859	H884	2.8	480	3	1.15	66.4	78.6	151148	CL00A310T-U	151190	RTA1-K	2.50	4.10
OPEN	1.5	158162	E1007	1.6	575	3	1.15	85.3	86.3	151149	CL00A310T-Y	151188	RTA1-H	1.30	1.90
OPEN	2	202581	V102	20.4	120	1	1.15	81.8	77.5	151160	CL25A310T-J	151197	RTA1-T	17.50	22.00
OPEN	2	202581	V102	10	208	1	1.15	81.8	77.5	151155	CL01A310T-L	151193	RTA1-N	8.00	12.00
OPEN	2	202581	V102	10.2	240	1	1.15	81.8	77.5	151152	CL01A310T-S	151193	RTA1-N	8.00	12.00
OPEN	2	159327	H886	7	208	3	1.15	67	79	151150	CL00A310T-L	151192	RTA1-M	5.50	8.50
OPEN	2	159327	H886	6.6	240	3	1.15	67	79	151147	CL00A310T-S	151192	RTA1-M	5.50	8.50
OPEN	2	159327	H886	3.5	480	3	1.15	67	79	151148	CL00A310T-U	151190	RTA1-K	2.50	4.10
OPEN	2	158176	E1008	2.1	575	3	1.15	86	84.8	151149	CL00A310T-Y	151189	RTA1-J	1.90	2.70
OPEN	3	111560	B735	14	208	1	1.15	94.5	80.3	151159	CL02A310T-L	151194	RTA1-P	10.00	16.00
OPEN	3	111560	B735	12.4	240	1	1.15	94.5	80.3	151152	CL01A310T-S	151194	RTA1-P	10.00	16.00
OPEN	3	159185	H845	9	208	3	1.15			151150	CL00A310T-L	151193	RTA1-N	8.00	12.00
OPEN	3	159185	H845	8.6	240	3	1.15			151147	CL00A310T-S	151193	RTA1-N	8.00	12.00
OPEN	3	159185	H845	4.3	480	3	1.15			151148	CL00A310T-U	151191	RTA1-L	4.00	6.30
OPEN	3	120019	H954	3.6	575	3	1.15	80.3	83.8	151149	CL00A310T-Y	151190	RTA1-K	2.50	4.10
OPEN	5	111562	V211	28	208	1	1.15	79.2	78.9	151169	CL04A310M-L	151199	RTA1-V	25.00	32.00
OPEN	5	111562	V211	26	240	1	1.15	79.2	78.9	151166	CL04A310M-S	151199	RTA1-V	25.00	32.00
OPEN	5	113371	196033	13.4	208	3	1.15	87.2	85	151155	CL01A310T-L	151194	RTA1-P	10.00	16.00
OPEN	5	113371	196033	13.2	240	3	1.15	87.2	85	151152	CL01A310T-S	151194	RTA1-P	10.00	16.00
OPEN	5	113371	196033	6.6	480	3	1.15	87.2	85	151148	CL00A310T-U	151192	RTA1-M	5.50	8.50
OPEN	5	120020	H956	5.4	575	3	1.15	85.9	85.3	151149	CL00A310T-Y	151191	RTA1-L	4.00	6.30
OPEN	7.5	105828	V305	35	208	1	1.15	87	86	151173	CL06A311M-L	151206	RTA2-E	30.00	43.00
OPEN	7.5	105828	V305	32	240	1	1.15	87	86	151170	CL45A310M-S	151199	RTA1-V	25.00	32.00
OPEN	7.5	105854	E302	22.5	208	3	1.15	82.5	88.5	151164	CL25A310T-L	151198	RTA1-U	21.00	26.00
OPEN	7.5	105855	E300	19.4	240	3	1.15	82.5	88.5	151161	CL25A310T-S	151197	RTA1-T	17.50	22.00
OPEN	7.5	105855	E300	9.7	480	3	1.15	82.5	88.5	151153	CL01A310T-U	151193	RTA1-N	8.00	12.00
OPEN	7.5	158164	E324	7.8	575	3	1.15	86.5	88.5	151149	CL00A310T-Y	151192	RTA1-M	5.50	8.50
OPEN	10	105830	V303	42	208	1	1.15	96	84	151173	CL06A311M-L	151206	RTA2-E	30.00	43.00
OPEN	10	105830	V303	38	240	1	1.15	96	84	151172	CL06A311M-S	151206	RTA2-E	30.00	43.00
OPEN	10	105857	E303	31	208	3	1.15	85.5	89.5	151169	CL04A310M-L	151199	RTA1-V	25.00	32.00
OPEN	10	105858	E301	26	240	3	1.15	85.5	89.5	151166	CL04A310M-S	151199	RTA1-V	25.00	32.00
OPEN	10	105858	E301	13	480	3	1.15	85.5	89.5	151153	CL01A310T-U	151194	RTA1-P	10.00	16.00
OPEN	10	158163	E325	10.4	575	3	1.15	81	89.5	151154	CL01A310T-Y	151194	RTA1-P	10.00	16.00

**Replacement Blower Motors and Starters (cont'd) - See instructions on page 17.**

**Model SCE, SSCBL, and SSCDBL - Replacement Blower Motors and Line Voltage Motor Starters (cont'd)**

Type	Motor						Service Factor	Power Factor	Eff. %	Reznor P/N	Starter (line voltage)	Reznor P/N	Overload GE#	o.l. min	o.l. max
	HP	P/N	Mfr No.	fla	volt	ph									
OPEN	15	142287	FM2513T-8	43.1	208	3	1.15	80	87.5	151173	CL06A311M-L	151202	RTA2-G	42.00	55.00
OPEN	15	142288	FM2513T	39	240	3	1.15	80	87.5	151172	CL06A311M-S	151206	RTA2-E	30.00	43.00
OPEN	15	142288	FM2513T	19.5	480	3	1.15	80	87.5	151162	CL25A310T-U	151197	RTA1-T	17.50	22.00
OPEN	15	142289	FM2513T-5	16	575	3	1.15	80	87.5	151158	CL02A310T-Y	151196	RTA1-S	14.50	18.00
OPEN	20	142295	FM2515T-8	58.7	208	3	1.15	80	88.5	151176	CL07A311M-L	151203	RTA2-H	54.00	65.00
OPEN	20	142296	FM2515T	53	240	3	1.15	81	88.5	151175	CL07A311M-S	151202	RTA2-G	42.00	55.00
OPEN	20	142296	FM2515T	26.5	480	3	1.15	81	88.5	151167	CL04A310M-U	151199	RTA1-V	25.00	32.00
OPEN	20	142297	FM2515T-5	21.2	575	3	1.15	80	88.5	151163	CL25A310T-Y	151197	RTA1-T	17.50	22.00
TEFC	1/4	105566	STOCK #904	3.6	120	1	1			151146	CL00A310T-J	151190	RTA1-K	2.50	4.10
TEFC	1/4	16074	108152	2.2	208	1	1.35			151150	CL00A310T-L	151189	RTA1-J	1.90	2.70
TEFC	1/4	16074	108152	1.9	240	1	1.35			151147	CL00A310T-S	151188	RTA1-H	1.30	1.90
TEFC	1/4	16075	125439	1.6	208	3	1	61.9	72.1	151150	CL00A310T-L	151188	RTA1-H	1.30	1.90
TEFC	1/4	16075	125439	1.4	240	3	1	61.9	72.1	151147	CL00A310T-S	151187	RTA1-G	1.00	1.50
TEFC	1/4	16075	125439	0.7	480	3	1	61.9	72.1	151148	CL00A310T-U	151186	RTA1-F	0.65	1.10
TEFC	1/3	115861	STOCK #906	4.6	120	1	1	68.5	72.1	151146	CL00A310T-J	151191	RTA1-L	4.00	6.30
TEFC	1/3	159501	C151	2.3	208	1	1	67.2	69.5	151150	CL00A310T-L	151189	RTA1-J	1.90	2.70
TEFC	1/3	159501	C151	2.4	240	1	1	67.2	69.5	151147	CL00A310T-S	151189	RTA1-J	1.90	2.70
TEFC	1/3	105567	H261	1.2	208	3	1.15		79.5	151150	CL00A310T-L	151187	RTA1-G	1.00	1.50
TEFC	1/3	105567	H261	1.2	240	3	1.15		79.5	151147	CL00A310T-S	151187	RTA1-G	1.00	1.50
TEFC	1/3	105567	H261	0.6	480	3	1.15		79.5	151148	CL00A310T-U	151184	RTA1-D	0.40	0.65
TEFC	1/2	159184	C613	7.2	120	1	1.15			151146	CL00A310T-J	151192	RTA1-M	5.50	8.50
TEFC	1/2	159184	C613	3.5	208	1	1.15			151150	CL00A310T-L	151190	RTA1-K	2.50	4.10
TEFC	1/2	159184	C613	3.6	240	1	1.15			151147	CL00A310T-S	151190	RTA1-K	2.50	4.10
TEFC	1/2	16077	H274	2.3	208	3	1	59.5	74.8	151150	CL00A310T-L	151189	RTA1-J	1.90	2.70
TEFC	1/2	16077	H274	2	240	3	1	59.5	74.8	151147	CL00A310T-S	151189	RTA1-J	1.90	2.70
TEFC	1/2	16077	H274	1	480	3	1	59.5	74.8	151148	CL00A310T-U	151186	RTA1-F	0.65	1.10
TEFC	1/2	105568	H276	0.7	575	3	1.15	76.4	77	151149	CL00A310T-Y	151186	RTA1-F	0.65	0.90
TEFC	3/4	115860	F353	11	120	1	1	66	65.7	151151	CL01A310T-J	151194	RTA1-P	10.00	16.00
TEFC	3/4	115860	F353	5.4	208	1	1	66	65.7	151150	CL00A310T-L	151191	RTA1-L	4.00	6.30
TEFC	3/4	115860	F353	5.5	240	1	1	66	65.7	151147	CL00A310T-S	151191	RTA1-L	4.00	6.30
TEFC	3/4	20371	H580	2	208	3	1	73.5	81.1	151150	CL00A310T-L	151189	RTA1-J	1.90	2.70
TEFC	3/4	20371	H580	2.2	240	3	1	73.5	81.1	151147	CL00A310T-S	151189	RTA1-J	1.90	2.70
TEFC	3/4	20371	H580	1.1	480	3	1	73.5	81.1	151148	CL00A310T-U	151187	RTA1-G	1.00	1.50
TEFC	3/4	105569	H461	0.8	575	3	1.15	78.3	82	151149	CL00A310T-Y	151186	RTA1-F	0.65	1.10
TEFC	1	174993	159105	12	120	1	1.15	74.3	70.6	151151	CL01A310T-J	151194	RTA1-P	10.00	16.00
TEFC	1	174993	159105	6.2	208	1	1.15	74.3	70.6	151147	CL00A310T-S	151192	RTA1-M	5.50	8.50
TEFC	1	174993	159105	6	240	1	1.15	74.3	70.6	151147	CL00A310T-S	151192	RTA1-M	5.50	8.50
TEFC	1	16080	H524	3.3	208	3	1	74.4	80.2	151150	CL00A310T-L	151190	RTA1-K	2.50	4.10
TEFC	1	16080	H524	3.4	240	3	1	74.4	80.2	151147	CL00A310T-S	151190	RTA1-K	2.50	4.10
TEFC	1	16080	H524	1.7	480	3	1	74.4	80.2	151148	CL00A310T-U	151188	RTA1-H	1.30	1.90
TEFC	1	105570	H525	1.4	575	3	1.15	71.6	80.4	151149	CL00A310T-Y	151187	RTA1-G	1.00	1.50
TEFC	1.5	94347	311P402	16.4	120	1				151156	CL02A310T-J	151196	RTA1-S	14.50	18.00
TEFC	1.5	94347	311P402	9.5	208	1				151150	CL00A310T-L	151193	RTA1-N	8.00	12.00
TEFC	1.5	94347	311P402	8.2	240	1				151147	CL00A310T-S	151193	RTA1-N	8.00	12.00
TEFC	1.5	101286	H535	4.3	208	3	1	80.9	82.4	151150	CL00A310T-L	151191	RTA1-L	4.00	6.30
TEFC	1.5	101286	H535	4.4	240	3	1	80.9	82.4	151147	CL00A310T-S	151191	RTA1-L	4.00	6.30
TEFC	1.5	101286	H535	2.2	480	3	1	80.9	82.4	151148	CL00A310T-U	151189	RTA1-J	1.90	2.70
TEFC	1.5	105665	E127	1.6	575	3	1.15	85.7	84	151149	CL00A310T-Y	151188	RTA1-H	1.30	1.90
TEFC	2	105572	K200	24	120	1	1	76.4	75.7	151165	CL04A310M-J	151198	RTA1-U	21.00	26.00
TEFC	2	105572	K200	12	240	1	1	76.4	75.7	151152	CL01A310T-S	151194	RTA1-P	10.00	16.00
TEFC	2	158165	E166	7	208	3	1.15	77.5	84	151150	CL00A310T-L	151192	RTA1-M	5.50	8.50
TEFC	2	158165	E166	5.8	240	3	1.15	77.5	84	151147	CL00A310T-S	151191	RTA1-L	4.00	6.30
TEFC	2	158165	E166	2.9	480	3	1.15	77.5	84	151148	CL00A310T-U	151190	RTA1-K	2.50	4.10
TEFC	2	158166	E169	2.3	575	3	1.15	77.5	84	151149	CL00A310T-Y	151189	RTA1-J	1.90	2.70
TEFC	3	111564	K222	30	120	1	1	88	75.5	151165	CL04A310M-J	151199	RTA1-V	25.00	32.00
TEFC	3	111564	K222	15	240	1	1	88	75.5	151157	CL02A310T-S	151194	RTA1-P	10.00	16.00
TEFC	3	159330	M3559T	7.9	208	3	1.15		85.5	151150	CL00A310T-L	151192	RTA1-N	5.50	8.50
TEFC	3	159330	M3559T	7.2	240	3	1.15		85.5	151147	CL00A310T-S	151192	RTA1-N	5.50	8.50
TEFC	3	159330	M3559T	3.6	480	3	1.15		85.5	151148	CL00A310T-U	151190	RTA1-K	2.50	4.10

**Model SCE, SSCBL, and SSCDBL - Replacement Blower Motors and Line Voltage Motor Starters (cont'd)**

Motor							Service Factor	Power Factor	Eff. %	Reznor P/N	Starter (line voltage)	Reznor P/N	Overload GE#	o.l. min	o.l. max
Type	HP	P/N	Mfr No.	fla	volt	ph									
TEFC	5	111567	K223	20.2	240	1	1	90.8	78.4	151166	CL04A310M-S	151197	RTA1-T	17.50	22.00
TEFC	5	155048	E241	16	208	3	1.15		87.5	151155	CL01A310T-L	151196	RTA1-S	14.50	18.00
TEFC	5	155048	E241	12	240	3	1.15		87.5	151152	CL01A310T-S	151194	RTA1-P	10.00	16.00
TEFC	5	155048	E241	6	480	3	1.15		87.5	151148	CL00A310T-U	151191	RTA1-L	4.00	6.30
TEFC	5	158170	E273	4.8	575	3	1.15	90	87.5	151149	CL00A310T-Y	151191	RTA1-L	4.00	6.30
TEFC	7.5	105842	K305	34	240	1	1	86.5	84.8	151170	CL45A310M-S	151200	RTA1-W	30.00	40.00
TEFC	7.5	158171	E356	24	208	3	1.15	83.1	89.5	151169	CL04A310M-L	151198	RTA1-U	21.00	26.00
TEFC	7.5	158171	E356	19	240	3	1.15	83.1	89.5	151161	CL25A310T-S	151197	RTA1-T	17.50	22.00
TEFC	7.5	158171	E356	9.5	480	3	1.15	83.1	89.5	151153	CL01A310T-U	151193	RTA1-N	8.00	12.00
TEFC	7.5	158172	E364	7.6	575	3	1.15	83.1	89.5	151149	CL00A310T-Y	151192	RTA1-N	5.50	8.50
TEFC	10	105846	K313	39	240	1	1	96.5	89.5	151172	CL06A311M-S	151206	RTA2-E	30.00	43.00
TEFC	10	158173	E357	30	208	3	1.15	85	89.5	151169	CL04A310M-L	151199	RTA1-V	25.00	32.00
TEFC	10	158173	E357	26	240	3	1.15	85	89.5	151166	CL04A310M-S	151198	RTA1-U	21.00	26.00
TEFC	10	158173	E357	13	480	3	1.15	85	89.5	151153	CL01A310T-U	151194	RTA1-P	10.00	16.00
TEFC	10	158174	E365	9.6	575	3	1.15	85	89.5	151154	CL01A310T-Y	151193	RTA1-N	8.00	12.00
TEFC	15	142443	FM2333T	38	240	3	1.15	82	90.2	151172	CL06A311M-S	151206	RTA2-E	30.00	43.00
TEFC	15	142443	FM2333T	19	480	3	1.15	82	90.2	151162	CL25A310T-U	151197	RTA1-T	17.50	22.00
TEFC	15	142444	FM2333T-5	15	575	3	1.15	82	90.2	151158	CL02A310T-Y	151194	RTA1-P	10.00	16.00
TEFC	20	142301	FM2334T	52	240	3	1.15	81	89.5	151175	CL07A311M-S	151202	RTA2-G	42.00	55.00
TEFC	20	142301	FM2334T	26	480	3	1.15	81	89.5	151167	CL04A310M-U	151199	RTA1-V	25.00	32.00
TEFC	20	142302	FM2334T-5	20.6	575	3	1.15	81	89.5	151163	CL25A310T-Y	151197	RTA1-T	17.50	22.00
EE	1	105659	E103	3.1	208	3	1.15	83.5	82.5	151150	CL00A310T-L	151190	RTA1-K	2.50	4.10
EE	1	159328	E1015	2.7	240	3	1.15		85.5	151147	CL00A310T-S	151190	RTA1-K	2.50	4.10
EE	1	159328	E1015	1.35	480	3	1.15		85.5	151148	CL00A310T-U	151187	RTA1-G	1.00	1.50
EE	1	158175	E1006	1.1	575	3	1.15		82.5	151149	CL00A310T-Y	151187	RTA1-G	1.00	1.50
EE	1 1/2	105662	E104	4.5	208	3	1.15	86	84	151150	CL00A310T-L	151191	RTA1-L	4.00	6.30
EE	1 1/2	159329	E1016	4	240	3	1.15		85.5	151147	CL00A310T-S	151190	RTA1-K	2.50	4.10
EE	1 1/2	159329	E1016	2	480	3	1.15		85.5	151148	CL00A310T-U	151189	RTA1-J	1.90	2.70
EE	1 1/2	158162	E1007	1.6	575	3	1.15	85.3	84	151149	CL00A310T-Y	151188	RTA1-H	1.30	1.90
EE	2	105664	E105	6	208	3	1.15	86.8	84	151150	CL00A310T-L	151191	RTA1-L	4.00	6.30
EE	2	159027	E1017	5.8	240	3	1.15		86.5	151147	CL00A310T-S	151191	RTA1-L	4.00	6.30
EE	2	159027	E1017	2.9	480	3	1.15		96.5	151148	CL00A310T-U	151190	RTA1-K	2.50	4.10
EE	2	158176	E1008	2.1	575	3	1.15	86	84	151149	CL00A310T-Y	151189	RTA1-J	1.90	2.70
EE	3	159186	35L405S489G3	8.3	208	3	1.15		87.5	151150	CL00A310T-L	151193	RTA1-N	8.00	12.00
EE	3	159028	B-EM3158T	7.4	240	3			87.5	151147	CL00A310T-S	151192	RTA1-N	5.50	8.50
EE	3	159028	B-EM3158T	3.7	480	3			87.5	151148	CL00A310T-U	151190	RTA1-K	2.50	4.10
EE	3	159030	35L405S709G1	3	575	3	1.15		87.5	151149	CL00A310T-Y	151190	RTA1-K	2.50	4.10
EE	5	159029	E204	13.9	208	3	1.15	89	91	151159	CL02A310T-L	151194	RTA1-P	10.00	16.00
EE	5	159029	E204	11.6	240	3	1.15	89	91	151157	CL02A310T-S	151194	RTA1-P	10.00	16.00
EE	5	159029	E204	5.8	480	3	1.15	89	91	151148	CL00A310T-U	151192	RTA1-M	5.50	8.50
EE	5	111602	M3613T-5	4.8	575	3	1.15		87.5	151149	CL00A310T-Y	151191	RTA1-L	4.00	6.30
EE	7 1/2	159331	E316	22.3	208	3	1.15	82	91.7	151169	CL04A310M-L	151198	RTA1-U	21.00	26.00
EE	7 1/2	159332	E317	19.4	240	3	1.15	82	91.7	151161	CL25A310T-S	151197	RTA1-T	17.50	22.00
EE	7 1/2	159332	E317	9.7	480	3	1.15	82	91.7	151148	CL00A310T-U	151193	RTA1-N	8.00	12.00
EE	7 1/2	158164	E324	7.8	575	3	1.15	81.5	88.5	151149	CL00A310T-Y	151192	RTA1-N	5.50	8.50
EE	10	159333	E318	27.8	208	3	1.15	85.5	91	151169	CL04A310M-L	151199	RTA1-V	25.00	32.00
EE	10	159334	E319	24.2	240	3	1.15	85.5	91	151166	CL04A310M-S	151198	RTA1-U	21.00	26.00
EE	10	159334	E319	12.1	480	3	1.15	85.5	91	151153	CL01A310T-U	151194	RTA1-P	10.00	16.00
EE	10	158163	E325	10.3	575	3	1.15	81	89.5	151149	CL00A310T-Y	151194	RTA1-P	10.00	16.00
EE	15	142440	EFM2513T-8	41.5	208	3	1.15	84	92.4	151173	CL06A311M-L	151206	RTA2-E	30.00	43.00
EE	15	142441	EFM2513T	36	240	1	1.15	84	92.4	151172	CL06A311M-S	151206	RTA2-E	30.00	43.00
EE	15	142441	EFM2513T	18	480	3	1.15	84	92.4	151162	CL25A310T-U	151197	RTA1-T	17.50	22.00
EE	15	142289	EFM2513T-5	14.5	575	3	1.15	84	92.4	151158	CL02A310T-Y	151194	RTA1-P	10.00	16.00
EE	20	159187	E452-F2	57	208	3	1.15	84	93.6	151176	CL07A311M-L	151203	RTA2-H	54.00	65.00
EE	20	142299	EFM2515T	48	240	3	1.15	84	93	151172	CL06A311M-S	151202	RTA2-G	42.00	55.00
EE	20	142299	EFM2515T	24	480	3	1.15	84	93	151167	CL04A310M-U	151198	RTA1-U	21.00	26.00
EE	20	142300	EFM2515T-5	19.2	575	3	1.15	84	93	151163	CL25A310T-Y	151197	RTA1-T	17.50	22.00

## Replacement Blower Motors and Starters (cont'd)

Replacement Holding Coils for IEC Starters							
Voltage	GE#	Reznor P/N	For Use with Contactors Beginning with GE#	Voltage	GE#	Reznor P/N	For Use with Contactors Beginning with GE#
24	LB1A-C	151280	CL00; CL01; CL02; CL25	208	LB3A-L	151288	CL04; CL45
120	LB1A-J	151281	CL00; CL01; CL02; CL25	230	LB3A-S	151289	CL04; CL45
208	LB1A-L	151282	CL00; CL01; CL02; CL25	460	LB3A-U	151290	CL04; CL45
230	LB1A-S	151283	CL00; CL01; CL02; CL25	575	LB3A-Y	151291	CL04; CL45
460	LB1A-U	151284	CL00; CL01; CL02; CL25	208	LB4A-L	151292	CL06; CL07; CL08; CL09
575	LB1A-Y	151285	CL00; CL01; CL02; CL25	230	LB4A-S	151293	CL06; CL07; CL08; CL09
24	LB3A-C	151286	CL04; CL45	460	LB4A-U	151294	CL06; CL07; CL08; CL09
120	LB3A-J	151287	CL04; CL45				

## 2-Speed Blower Motors for Models SSCBL, SSCDBL

Motor Data			Maximum Motor Amp Draw		Motor P/N (Volts - Phase)			IEC Starter	
Rated HP	Century P/N	Frame	1800 RPM	1200 RPM	208-3	240-3	480-3	Manufacturer's P/N	Reznor P/N
1/44	M124	M145T	3.8	2.4	105641			AEG2SP-S17-C-I-H-O	114971
1/44	M124	M145T	3.4	2.2		105641		AEG2SP-S17-C-I-H-O	114971
1/44	M109	M145T	1.7	1.1			105642	AEG2SP-S17-E-G-F-O	114972
1.5/68	M125	N145T	5.4	3.1	105643			AEG2SP-S17-C-K-I-O	114973
1.5/68	M125	N145T	4.9	2.8		105643		AEG2SP-S17-C-K-I-O	114973
1.5/68	M104	N145T	2.4	1.4			105644	AEG2SP-S17-E-H-G-O	114974
2/88	M220	S182T	6.5	4.2	105645			AEG2SP-S17-C-L-K-O	114975
2/88	M220	S182T	5.9	3.8		105645		AEG2SP-S17-C-L-I-O	114976
2/88	M207	S182T	3.4	2.1			105646	AEG2SP-S17-E-I-H-O	114977
3/1.3	M221	S184T	9.3	5.3	105647			AEG2SP-S17-C-M-K-O	114978
3/1.3	M221	S184T	8.4	4.8		105647		AEG2SP-S17-C-M-K-O	114978
3/1.3	M208	S184T	4.6	2.6			105648	AEG2SP-S17-E-K-H-O	114979
5/2.2	M320	S215T	17.2	11.3	105870			AEG2SP-S17-C-O-M-O	114980
5/2.2	M320	S215T	15.5	10.2		105870		AEG2SP-S17-C-O-M-O	114980
5/2.2	M305	S215T	7.1	4.8			105871	AEG2SP-S17-E-L-K-O	114981
7.5/3.3	M317	Y215T	21.6	13.6	105872			AEG2SP-S17-C-O-N-O	114982
7.5/3.3	M317	Y215T	19.5	12.3		105872		AEG2SP-S17-C-O-N-O	114982
7.5/3.3	M315	D215T	10.0	6.0			105873	AEG2SP-S17-E-M-L-O	114983
10/4.4	M421	S256T	31.0	19.4	105874			AEG2SP-S17-C-P-O-O	114984
10/4.4	M421	S256T	28.0	17.5		105874		AEG2SP-S17-C-P-O-O	114984
10/4.4	M413	S256T	13.5	7.5			105875	AEG2SP-S17-E-N-L-O	114985

### IEC Two-Speed Starter

Effective 9/91, IEC two-speed starters are used. Prior to 9/91, units with 2-speed motors were equipped with NEMA starters. If replacing a NEMA starter with an IEC starter, replace the complete starter. See terminal cross reference chart below. Original box and cover may be used for replacement IEC starter.



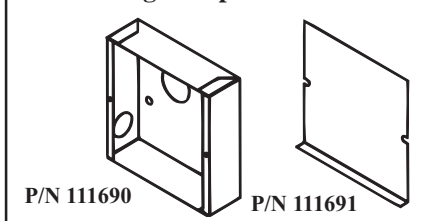
### Terminal Cross-Reference Chart for Replacement IEC Starters

	NEMA	IEC
<b>Starter Wire Terminals</b>		
High Speed	D	2T1
	F	6T3
	E	4T2
Low Speed	A	2T1
	C	6T3
	B	4T2
<b>Relay/Starter Coil Terminals</b>		
	9	96 95

### Bracket, Cover, and Auxiliary Contacts for 2-Speed Starter

Description	P/N
Starter Bracket	115017
Starter Cover	115019
Auxiliary Contact (normally open), AEG #HS17.10	115951
Auxiliary Contact (normally closed), AEG #HS17.01	115952

### Motor Junction Box and Cover for 2HP and larger 2-Speed Motors



# Replacement Parts for NEMA Starters

## NEMA Motor Starters

Size	Coil Voltage	GE#	P/N
0	24 Volt	CR306B024	39919
1	24 Volt	CR306C024	39920
2	24 Volt	CR306D024	39921
3	24 Volt	CR306E024	39922
4	24 Volt	CR306F024	91519
0	115 Volt	CR306B002	111523
0	208 Volt	CR306B023	111524
0	230 Volt	CR306B003	111525
0	460 Volt	CR306B004	111522
1	115 Volt	CR306C002	111526
1	208 Volt	CR306C023	111499
1	230 Volt	CR306C003	111521
1	460 Volt	CR306C004	111527
2	208 Volt	CR306D023	111528
2	230 Volt	CR306D003	111529
2	460 Volt	CR306D004	111530
3	208 Volt	CR306E023	111531
3	230 Volt	CR306E003	111533
3	460 Volt	CR306E004	111532
3	575 Volt	CR306E004	119852
4	208 Volt	CR306F023	111534



## Heaters for NEMA Starters

HP/Voltage/Phase	GE#	Reznor P/N
5/208/3	CR123C18.0B	89941 or 110617
5/230/3 and 10/460/3	CR123C16.3B	16193 or 110626
5/460/3	CR123C8.67A	16192 or 110619
5/208/3	CR123C19.8B	91542
7.5/208/3	CR123C25.0B	16196
7.5/230/3	CR123C22.8B	89924 or 110622
7.5/460/3	CR123C12.5B	17257 or 110624
10/208/3	CR123C33.0B	89947 or 110625
10/230/3	CR123C30.3B	89949 or 110627
10/460/3	CR123C137B	110623
15/208/3	CR123F56.7B	91543
15/230/3	CR123FC40.0B	89933
15/460/3	CR123C21.4B	19556
20/208/3 and 25/230/3	CR123F77.28B	91544
20/230/3	CR123F65.8B	91545
25/208/3 and 30/230/3	CR123F91.4B	91546
25/460/3	CR123C36.6B	16195
30/208/3	CR123F10.4C	91547
30/460/3	FA30B	119851
30/575/3	F327B	121175

## Holding Coils for NEMA Starters

Size	Coil Voltage	GE#	P/N
0/1	24	15D21G024	48531
0/1	115	15D21G002	48507
0/1	208	15D21G023	48509
0/1	230	15D21G003	73795
0/1	460	15D21G004	48512
0/1	575	15D21G005	73601
2	208	15D22G023	111927
2	230	15D22G003	111928
2	460	15D22G004	111929
3	24	55-501336G024	95093
3	208	55-501336G023	111931
3	230	55-501336G003	111933
3	460	55-501336G004	111932
4	24	55-501463G024	102816
4	208	55-501463G023	111935

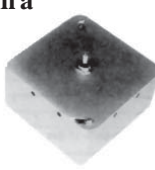
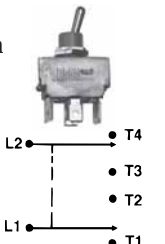




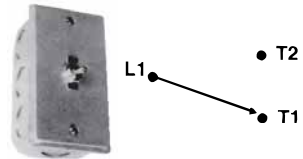
# Electrical Components

## Disconnect Switches

Description	Outdoor P/N	Same as Opt	Indoor P/N	Same as Opt
30 Amp 300V Non-Fusible	40269	CP5	40267	CP1
30 Amp 300V Fusible (less fuses)	87147	CP6	40268	CP2
30 Amp 600V Non-Fusible	50367	CP7	50365	CP3
30 Amp 600V Fusible (less fuses)	50368	CP8	50366	CP4
60 Amp 240V Fusible (less fuses)	161459	CP17	2E+05	CP27
60 Amp 600V Fusible (less fuses)	161461	CP20	2E+05	CP33



## Toggle Switches

<p>P/N 40277, DPDT, 3-Position Toggle Switch in a 4x4 box (Same as Option CN1)</p> 	<p>P/N 101900, DPDT, 3-Position Toggle Switch (replaces P/N 21826) - Used in Option CN1 and Remote Console Options RC5, RC6, RC7, RC8, RC10, RC11, RC12</p> 	<p>P/N 39732, DPST, 2-Position Toggle Switch in a 2x4 box (Same as Option CN2)</p> 	<p>P/N 101902, DPST, 2-Position Toggle Switch (replaces P/N 16816) - Used in Options CN2, AG3, AG8, AG9 and Remote Console Option RC12</p> 
<p>P/N 39733, SPDT, 2-Position Toggle Switch in a 2x4 box (Same as Option CN3)</p> 	<p>P/N 101901, DPST, 2-Position Toggle Switch (replaces P/N 1052) - Used in Options CN3, CN4, and Remote Console Options RC3, RC4, RC7, RC8, RC11</p> 	<p>P/N 39748, SPST, 2-Position Toggle Switch in a 2x4 box (Same as Option CN4)</p>  <p>NOTE: When replacing SPST switch with SPDT switch, make wiring connections at appropriate two terminals for switch to function properly.</p>	

# Electrical Components

Locations of Standard Components (See parts on pages 23-28)

<p><b>Electrical Box prior to Series 1</b> Codes 300 &amp; 301, Terminal Blocks</p> <p>Code 302, Transformer Code 303, Relay Code 304, Post Purge Relay Code 307, Fan Control Code 309, Limit Control Code 303 Relay</p>	<p><b>Electrical Box Series 1</b> Codes 300 &amp; 301, Terminal Blocks</p> <p>Code 302, Transformer Code 303, Relay Code 307, Fan Control Code 305, Time Delay Relay Code 309, Limit Control Code 303, Relay</p>	<p><b>Electrical Box Series 3 and 5</b> Codes 300 &amp; 301, Terminal Blocks</p> <p>Code 302, Transformer Code 305, Time Delay Relay Code 307, Fan Control Code 309, Limit Control P/N 60241, Fuse Holder, C.G.A. units mfgd prior to 11/89</p>
--	--	---

**Electrical Box Series 6**  
(Illustration is prior to 12/99 with ECO and fan control.)

Code 302, Transformer  
Code 70, page 7, Pressure Switch  
Code 314, Ignition Controller  
Code 305, Relay  
Code 308, ECO Device  
Code 309, Limit Control  
Code 307, Fan Control  
Codes 300 & 301

**Control Side of Model SC Series 6 with the three outer panels removed**

Venter Section  
Control Section with Electrical Box  
Burner Section

<p><b>Codes 300 and 301 Terminal Block, P/N 144972</b></p> <p><b>Terminal Block Adapter, P/N 144973</b></p>	<p><b>Codes 302 - Control and Damper Transformers, 20 and 40 VA</b></p> <p>P/N 103055, 115/24/40VA, Basler #BE141650-WAA P/N 103497, 208/230/24/40VA, Basler #BE2153900 P/N 103498, 460/24/40VA, Basler #BE23975001</p>	<p><b>Code 303 - RBM Relay 84-20102-101 SPST, P/N 14747</b> (2 required on SC units prior to Series 3 -- 1 is locking relay; 1 is venter relay)</p> <p>1 3 2 4</p>	<p><b>Code 304 - Post Purge Relay, Thermodisc 32711, P/N 11886</b></p> <p>B A 1 2 3</p>
---	---	--	---

<p><b>Code 305 - Time Delay Relay, TI 60000GO-17, P/N 46233</b> 20-second delay</p> <p>2 4 5 1 3 H H</p>	<p><b>Code 306 - SPDT Relay, RBM 84-20103-301, P/N 18549</b> Same as Option BG3 and part of Option BG5</p> <p>1 3 5 4 2</p>
--	---



**Code 307A - Fan Control, P/N 10357, for units manufactured prior to 12/04 is no longer available. Order Replacement Kit, P/N 209184.**

---

**Code 307B - SPST Time Delay Relay (for fan/blower control), P/N 209164, Thermodisc 12S20-305131**  
(on units mfgd beginning 12/04)



**Code 308 - ECO Device, Micro #G5AP0201, P/N 131450**  
ECO used on SC, SCA, SCB, SCE Series 6 on units manufactured prior to 12/99



**Mounting Plate, P/N 82633**

**Code 309A - Limit Control SC Series 3, 5, and 6 - P/N 50417, opens 125°F; closes 105°F**  
**HSC, SCA, SCB, SCE, SC prior to Series 3 and PV Series - P/N 50418, 145°F**



**Code 309B - Limit Control Shield for SC, SCA, SCB, SCE, P/N 9704**

**Code 310A - Limit Controls used on Model Series SSCBL mfgd beginning 1/97 (for older units, see below)**

**Automatic Reset Limit Control with Linear Sensor, TOD #10HG11, P/N 148588**



**Automatic Reset Limit Control, TOD #60T11**

**Key: (Applies to both limit tables)**

<b>"BL" Blower Cabinet Air Flow</b> →	<b>Furnace #1</b>	<b>Furnace #2</b>	<b>Furnace #3</b>
---------------------------------------	-------------------	-------------------	-------------------

Furnace	Size 400	Sizes 500/600/800	Sizes 1050/1200
#1	50418, -201220, 145°F 148588, TOD #10HG11	50418, -201220, 145°F	50417, -201234, 125°F
#2		57953, -201614, 170°F 148588, TOD #10HG11	50418, -201220, 145°F
#3			57953, -201614, 170°F 148588, TOD #10HG11

**Code 310B - Limit Controls and Shields used on Model Series SSCBL mfgd prior to 1/97**

**Limit Shields**

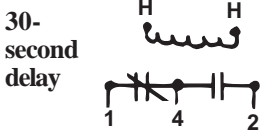


**Automatic Reset Limit Control, TOD #60T11**



Furnace	Size 400	Sizes 500/600/800	Sizes 1050/1200
#1	50418, -201220, 145°F 12229, Limit Shield	50418, -201220, 145°F 12229, Limit Shield	50417, -201234, 125°F
#2		57953, -201614, 170°F	19080, -35675, 155°F 9704, Limit Shield
#3			57953, -201614, 170°F

**Code 311 - Time Delay Relay, RBM 30-8106-183, P/N 11606**  
Same as Option BH2

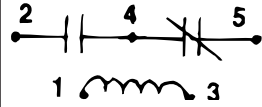


**Code 312 - Time Delay Relay, T & B Agastat TM1ULA, P/N 89661**



Used in freezestat circuit; used in Option AG39 and AG40 prior to 7/00

**Code 313 - Freezestat Relay, Products Unltd 9400-04Q180, 24V Coil, SPDT, P/N 103317**



**Code 314 - Time Delay Relay, SPDT, 24V, Thermodisc 12S30, P/N 174810**



Used in Option AG39 and AG40

**Code 315 - Summer/Winter Switch**  
Used in Options BF4 and CH1



P/N 3745 (6 Amp) - through Size 200  
P/N 8338 (10 Amp) - Sizes 225-400

**Code 316 - Freezestat, J/C #AI9AAF-12C, 25-225°F, P/N 126170, (replaces P/N 16108)**

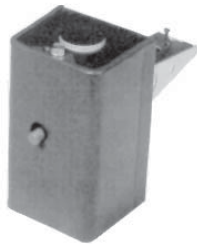


**Bulb Clamp, P/N 100260**



**Grommet Clamp, P/N 131993**  
**Cable Clamp, P/N 132065**

**Code 317 - Firestat, Honeywell #L4029E 1029, Manual reset opens at 200°F, P/N 42782**



**Firestat Gasket, P/N 121041**  
(used when firestat is installed less cover)

**Firestat Shield, P/N 120021**  
(used with discharge firestat only)

**Code 318A - Recycling Ignition Controller, J/C G67BG-5, P/N 97782**

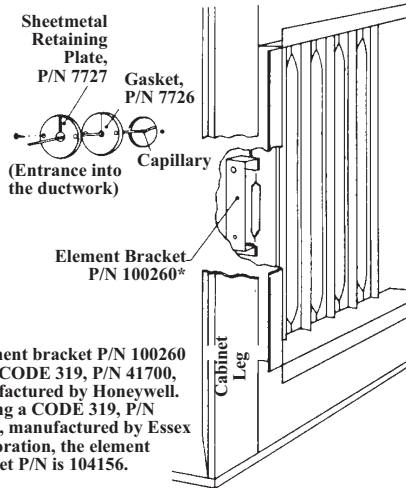


**Code 318B - Ignition Controller with lockout (120-second timing), J/C G770NGC-4, P/N 97547**



# Electrical Components (cont'd)

## Location and Components for Installing Discharge Sensor



\*Element bracket P/N 100260 is for CODE 319, P/N 41700, manufactured by Honeywell. If using a CODE 319, P/N 41700, manufactured by Essex Corporation, the element bracket P/N is 104156.

**Code 319, Two-Stage Ductstat, Honeywell T678A1015, P/N 41700**



55-58°F, Capillary Length 5' - Used in Gas Control Options AG3, AG4, and AG5  
Bulb Holder, P/N 100260  
Cable Strap, P/N 16227

**Code 320A, Ductstat Sensor and Holder for Code 320B Remote Ductstats**

**Ductstat Sensor Holder, #TE6001-1, P/N 115850**



**Ductstat Sensor only, #A99BC-25C, P/N 115851, (part of P/N 115848 below)**

**Code 320B - Remote Ductstat Modules Used in Gas Control Options AG15-AG20**



**A** = Ductstat Temperature Selector Module, J/C A350AA-1C, P/N 115848  
**B** = Stage Adder Module, J/C S350AA-1C, P/N 115849  
**C** = Digital Temperature Display Module, J/C D350AA-1C, P/N 115852

**Code 321, Discharge Sensor for Modulating Gas Control Options**



P/N 48041, Maxitrol TS-121, for Options AG8 and AG9  
P/N 133228, Maxitrol TS-194, for Option AG 39 and 41

Gasket, P/N 104138

**Code 322, P/N 134170, Signal Conditioner for Modulating Gas Control Options AG21 and AG40**



**Code 323, Amplifiers for Modulating Gas Control Options**



P/N 48035, Maxitrol A1010B, used in Opt AG7 and AG9 on single furnace systems (SCE & SSCBL400)

P/N 48036, Maxitrol A1011B, used in AG7 and AG9 on multiple furnace systems (SSCBL 500-1200)



P/N 48037, Maxitrol 1010F, used in Opt AG8 on single furnace systems (SCE & SSCBL400)

P/N 48038, Maxitrol 1011F, used in AG8 on multiple furnace systems (SSCBL 500-1200)



P/N 174848, Maxitrol A1092, used in Option AG39, AG40, AG41, and AG42

**Code 324, Remote Temperature Selectors for Modulating Gas Control Options**



P/N 48042, Maxitrol TD121, used in Opt AG9



P/N 174849, Maxitrol TD92-0509, used in Opt AG39, AG40, AG41, AG42

**Codes 325, 326, 327 - Gas Pressure Switches**



Bracket, P/N 100261



**Codes 325 & 326 - Low Gas Pressure Switch, P/N 93849**  
(Range 1-6" w.c.);  
P/N 149176 (Range 6-24" w.c.)

Automatic Reset, Settings - 50% of minimum inlet gas pressure as stated on the unit rating plate

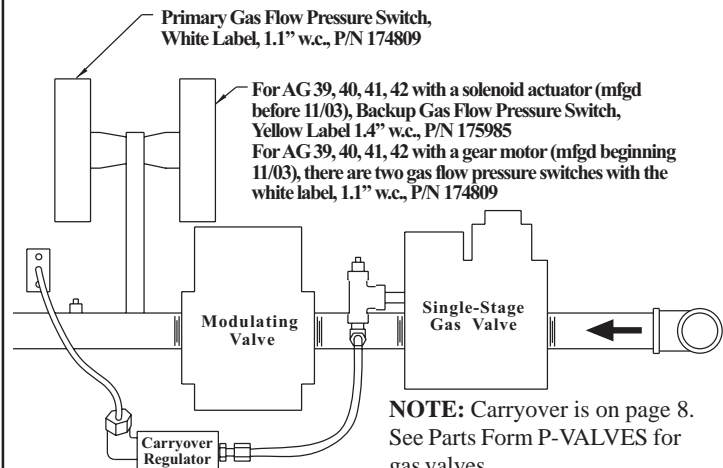


**Code 327 - High Gas Pressure Switch, P/N 93850, Manual Reset, Settings - 125% of normal manifold gas pressure as stated on the unit rating plate**


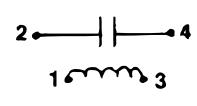




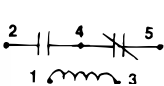

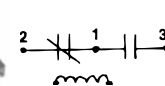


Vent Limiter, Maxitrol A1209, P/N 123481




**Code 328 - Gas Pressure Switches used in Gas Control Options AG39, AG40, AG41, AG42**



**NOTE:** Carryover is on page 8. See Parts Form P-VALVES for gas valves.

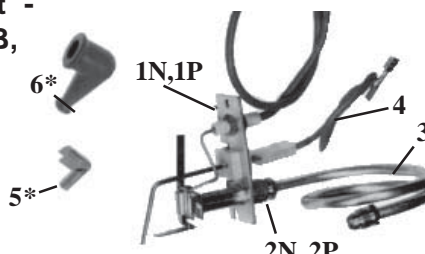
<p><b>Codes 329 and 330 - Fuse and Fuseholder</b>  <b>Fuse Holder, P/N 38635</b>  <b>Fuses:</b>          2-1/2 Amp, P/N 61542          5 Amp, P/N 90335          8 Amp, P/N 38636</p> 	<p><b>Code 333 - Motor Contactor (less case), 24V Coil Series 6 - P/N 119625</b>          (replaces P/N 93661)          For blower motor starters, see pages 17-22.  <b>Prior to Series 6 - P/N 122376</b></p> 	<p><b>Code 334 - Temperature Control, J/C #A19ABC-24, -30 - 100°F, used in Gas Control Option AG41 and AG42 on Model SSCBL, P/N 197204</b></p> 	<p><b>Code 335 - RBM Relay, Essex 134-2012-101, 24V, P/N 98118</b></p>  
<p><b>Code 331 - Convenience Outlet Receptacle, P/N 96912</b></p> 			

<p><b>Code 336 - RBM Relay, Products Unlimited 9400-04Q180, SPDT, 24V, P/N 103317</b></p>  	<p><b>Code 337 - 2-Speed Motor Speed Selector Relay, Essex 91-102006-1300, 24V, P/N 110656</b></p>  	<p><b>Code 338 - Reverse Flow Limit, #60T11-313154, P/N 103323</b></p>  <p><b>Bracket, P/N 18795</b></p>	<p><b>Codes 339 - Control and Damper Transformers, 200 and 300 VA</b>  <b>P/N 105202, 575/115/300VA - Use on 115V furnace</b>  <b>P/N 39095, 230/460/575-24-200VA</b>  <b>P/N 39094, 208/24/200VA</b></p> 
---	--	--	---

<p><b>Code 340 - KVA Transformer</b></p> <table border="1"> <thead> <tr> <th>KVA</th> <th>200/208</th> <th>220/240 440/480</th> <th>277</th> <th>575</th> </tr> </thead> <tbody> <tr> <td>.25</td> <td>19807</td> <td>11279</td> <td></td> <td>113556</td> </tr> <tr> <td>.50</td> <td>19808</td> <td>11100</td> <td>14993*</td> <td></td> </tr> <tr> <td>.75</td> <td>24453*</td> <td>11217</td> <td>14994*</td> <td></td> </tr> <tr> <td>1.0</td> <td>24454*</td> <td>16065</td> <td>14995*</td> <td></td> </tr> <tr> <td>1.5</td> <td>24455*</td> <td>24392*</td> <td>14996*</td> <td></td> </tr> <tr> <td>2.0</td> <td>24456*</td> <td>26628*</td> <td>14997*</td> <td></td> </tr> <tr> <td>3.0</td> <td>24465*</td> <td>26630*</td> <td>14998*</td> <td></td> </tr> <tr> <td>5.0</td> <td>24466*</td> <td>26631*</td> <td>15003*</td> <td></td> </tr> </tbody> </table> <p>*Special order</p> 	KVA	200/208	220/240 440/480	277	575	.25	19807	11279		113556	.50	19808	11100	14993*		.75	24453*	11217	14994*		1.0	24454*	16065	14995*		1.5	24455*	24392*	14996*		2.0	24456*	26628*	14997*		3.0	24465*	26630*	14998*		5.0	24466*	26631*	15003*		<p><b>Code 341 - Dirty Filter Pressure Switch, Tridelta AP4434, P/N 105507</b></p>  <p>Field adjustable; range .17 to 5.0" ± .05" w.c.</p>	<p><b>Codes 342 - Blower Air Flow Switch, Tridelta FP6605, Normally Open Non-adjustable, Setpoint .175" w.c., P/N 112107</b></p> <p>(Air Proving Switch, Option BW1)</p>  <p>See page 15 for blower sensor probe.</p>
KVA	200/208	220/240 440/480	277	575																																											
.25	19807	11279		113556																																											
.50	19808	11100	14993*																																												
.75	24453*	11217	14994*																																												
1.0	24454*	16065	14995*																																												
1.5	24455*	24392*	14996*																																												
2.0	24456*	26628*	14997*																																												
3.0	24465*	26630*	14998*																																												
5.0	24466*	26631*	15003*																																												

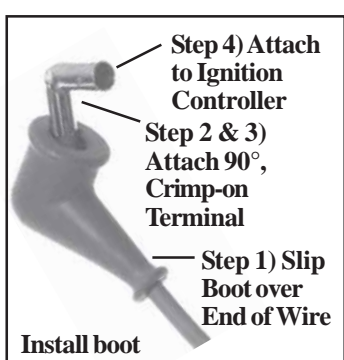
**Horizontal Spark Pilot - Models SC, SCA, SCB, SCE, SSCBL prior to Series 6**

**Replacement Pilot Kits:**  
 Natural Gas - P/N 110861  
 Propane Gas - P/N 110862



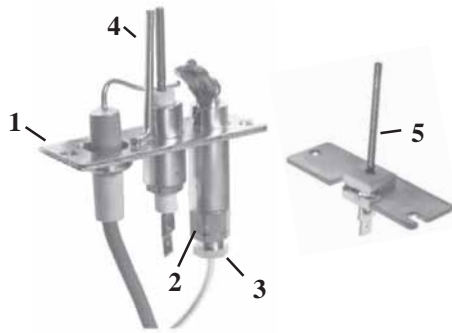
Code	P/N	Component Description
1N	61145	Natural gas pilot with orifice, high tension lead, flame probe (less pilot tubing and flame sensor lead)
1P	61146	Propane gas pilot with orifice, high tension lead, flame probe (less pilot tubing and flame sensor lead)
2N	63088	Natural gas pilot orifice only (7221)
2P	37801	Propane gas pilot orifice only (4209)
3	5145	Pilot tubing, 22" long
	9664	Nut with breakaway ferrules (2 required)
4	44675	Sensor lead 9" long
5*	112647	Crimp-on, 90° Rajah terminal connector
6*	112648	90° Boot Terminal Protector

**Instructions for connecting ignitor lead on replacement spark pilots to Model G60 & G67 ignition controllers:**

<p><b>Crimp-on, 90° Rajah Terminal Connector, P/N 112647</b>  <b>Protective Boot, P/N 112648</b></p> <p>Effective with replacement pilots purchased beginning 9/91, the crimp-on connector and protective boot are required (in the kit or separately) on units equipped with a Model G60 or G67BG-NG-2 ignition controller.          (NOTE: These parts are not required when the ignition controller is a Model G67BG-5 or G770NGC-4.)</p>	<ol style="list-style-type: none"> <li>1. Identify the ignitor wire attached to the pilot electrode. Slip the 90° protective boot on to the wire, as illustrated →.</li> <li>2. On the "open" leg of the 90° crimp-on terminal (P/N 112647), locate a flat, triangular spike tab punched in the metal. With the tip of a small, straight screwdriver, force the spike tab toward the inside of the connector. Straighten the tab to a vertical position.</li> <li>3. Insert the ignitor wire into that same connector leg (just to the 90° bend) and push the wire onto the protruding spike tab, making sure that the tab penetrates the insulation. (Do not strip the ignitor wire.) Using a crimping tool or pliers, squeeze the sides of the terminal to form a "C" shape. The ignitor wire should now be firmly held by the terminal.</li> <li>4. Slide the protective boot over the terminal. Holding the boot, attach the 90° Rajah terminal to the ignitor lead Rajah connector on the Model G60 or G67BG/NG-2 ignition controller.</li> </ol>	 <p><b>Step 1) Slip Boot over End of Wire</b></p> <p><b>Step 2 &amp; 3) Attach 90°, Crimp-on Terminal</b></p> <p><b>Step 4) Attach to Ignition Controller</b></p> <p><b>Install boot and terminal on ignitor wire.</b></p>
--	--	---

## Electrical Components (cont'd)

Vertical Spark Pilot for Models SC, SCA, SCB, SCE Series 6 and SSCBL		Replacement Pilot Kits	Natural Gas - P/N 131457 Propane Gas - P/N 131458
Code	P/N	Component Description	
1	125251	Natural Gas Pilot Assy with orifice, pilot tubing, flame probe; less flame sensor lead and fitting (J/C J981HKW 9731-713)	
	125671	Propane Gas Pilot Assy with orifice, pilot tubing, flame probe; less flame sensor lead and fitting (J/C J981HKW 9715-413)	
2	93973	Natural Gas Orifice only, #9731-713 (brass)	
	126024	Propane Gas Orifice only, #9715-413 (black)	
3	98698	Pilot Tubing, 1/8" OD x 18" lg (J/C #B10499-995-11)	
	97572	Compression Fitting FTG75 (2 required when replacing pilot tubing)	
4	126104	Flame probe, J/C Y75AA-2	
5	126101	Auxiliary flame probe with bracket, J/C Y75 GB-1	
6	125401	(2) Sensor lead assy, 18 ga. x 14", 150°C	

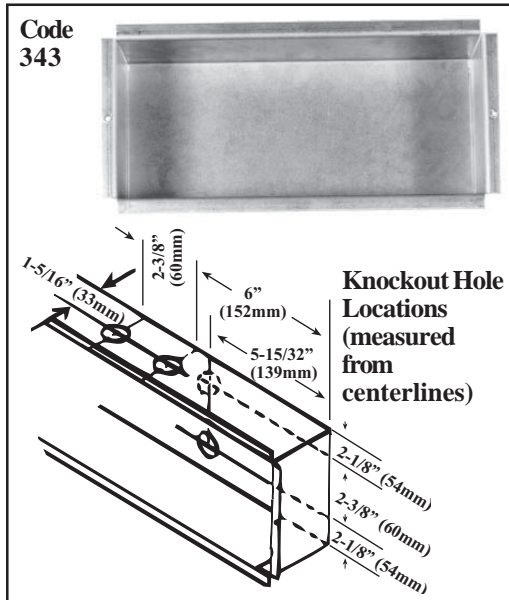


### Optional Remote Console

Optional RC style remote console includes a mounting ring so that the console may be either recessed or wall mounted. The box is of 16 gauge steel with knockout holes for field wiring. The cover is made of plastic with custom engraving. Order replacement parts for Option RC remote console by part number.



Code	Description	P/N
343	Remote Console Box - 10-1/16 x 6-5/8 x 2-5/8	107010
	Remote Console Box - 15-1/16 x 6-5/8 x 2-5/8	107011
344	Mounting Ring for 10-1/16" long box	107014
	Mounting Ring for 15-1/16" long box	107015
345	Light for Red Lens, Solico #5TD1L-R-B5	101889
346	SPDT Switch, Cutler Hammer #7505K6	101901
	DPDT Switch, Cutler Hammer #7561K6	101900
347	Single-Stage Heating Thermostat	91919
	Two-Stage Heating Thermostat	93435
	Single-Stage Heating/Cooling Thermostat	73411
	Two-Stage Heating/Cooling Thermostat	93437
348	Potentiometer (See CODE 372, page 35)	16110



### Remote Console Components by Option - Options RC1-RC12

Component	Function	In RC	Code
Blower On Light	Lights when blower is operating	1-12	345
Burner On Light	Lights when burners are lit	1-12	345
Dirty Filter Light	Lights when the pressure switch indicates that filters need to be cleaned or replaced	2, 4, 6, 8, 12	345
On/Off Control Switch	On position energizes the unit for thermostat control. Off position de-energizes the unit and closes optional automatically controlled outside air dampers.	3, 4, 7, 8, 11, 12	346
Summer/Winter/Off Control Switch	Summer position energizes the blower only. "Winter" position energizes the unit for thermostat control. "Off" position de-energizes the unit and closes optional automatically controlled outside air dampers.	5, 6, 10	346
Heat/Vent/Cool Control Switch	Heat position energizes the unit for thermostat control. Vent position energizes the blower and opens optional automatically controlled outside air dampers. "Cool" position energizes blower, dampers, and cooling unit.	7, 8, 11, 12	346
Cooling Light	Lights when cooling system is operating	7, 9, 11, 12	345

Console Dimensions (wall mounted - not recessed)				
Console Options	Optional Control	Length*	Height*	Depth
RC 1, 2, 3, 4, 5, 6, 7, 8, 9, 10, 12	without	10-3/4"	7-5/8"	2-5/8"
RC 1, 2, 3, 4, 5, 6, 9	with	10-3/4"	7-5/8"	2-5/8"
RC 7, 8, 10, 12	with	15-3/4"	7-5/8"	2-5/8"
RC 11	with & without	15-3/4"	7-5/8"	2-5/8"

\* Subtract 5/8" from length and 1" from height when recessing console (not using wall-mounting ring)

Illinois School Code (Special Manifold Option BM12) includes a Remote Console with Alarm Bell and Silencing Buttons

Console Box, P/N 107010  
Light, P/N 101889

Switch, P/N 110130



## Drives (Drives for SCB and SCE are on pages 29-31; SSCBL is on pages 31-33.)

The drive components include the belt, the motor pulley, the blower pulley, and bushings, if required. The table at the right identifies the RPM range of the drive option. Drive options are listed by AM No. (**NOTE: Components listed are for currently used motors. If shaft size is different than listed or if there are no parts listed, check the replacement parts tag and/or contact the distributor or factory service for replacement parts.**)

**Belt Tension** - Check belt tension. Proper belt tension is important to the long life of the belt and motor. A loose belt will cause wear and slippage. Too much tension will cause excessive motor and blower bearing wear.

If adjustment is required, adjust belt tension by means of the adjusting screw on the motor base until the belt can be depressed 1/2" to 3/4". Tighten the lock nut on the adjusting screw. Be sure the belt is aligned in the pulleys.

OPT	RPM Range	OPT	RPM Range	OPT	RPM Range
AM1	0-450	AM9	801-850	AM17	1201-1250
AM2	451-500	AM10	851-900	AM18	1251-1300
AM3	501-550	AM11	901-950	AM19	1301-1350
AM4	551-600	AM12	951-1000	AM20	1351-1400
AM5	601-650	AM13	1001-1050	AM21	1401-1450
AM6	651-700	AM14	1051-1100	AM22	1451-1500
AM7	701-750	AM15	1101-1150	AM23	1501-1550
AM8	751-800	AM16	1151-1200	AM24	1551-1600

### Drive Components - Model SCB and SCE prior to Series 6 (See page 3 for explanation of Series No.)

Unit Sizes	Motor HP	AM Nos. (See Key, above.)	Drive No.	Motor Pulley			Blower Pulley			Belt		
				P/N	Mfr #	Bore	P/N	Mfr #	Bore	P/N	Mfr #	
125	1/4 and 1/3	2,3	24	4074	1VL34	1/2	116396	AL84	3/4	6183	AL420	
		4	29	4074	1VL34	1/2	116395	AL74	3/4	7948	AL400	
		5,6,7	30	4074	1VL34	1/2	116394	AL64	3/4	7949	AL390	
		8, 9,10,11,12,13	35	4074	1VL34	1/2	116393	AL54	3/4	10960	AL370	
	1/2, 3/4, 1, 1-1/2, 2	5,6,7,8,9,10	61	7962	1VL40	5/8	116394	AL64	3/4	7948	AL400	
		11,12,13	13	13013	1VM50	5/8	116395	AL74	3/4	50472	A45	
		14,15,16	17	13013	1VM50	5/8	116394	AL64	3/4	50470	A43	
		17,18,19,20,21	41	13013	1VM50	5/8	116393	AL54	3/4	50500	A41	
		2,3	23	4074	1VL34	1/2	116400	AL84	1	6185	AL450	
		4,5	26	4074	1VL34	1/2	116399	AL74	1	3938	AL430	
150, 175, 200, 225	1/4 and 1/3	6,7,8,9	51	13491	1VL40	1/2	116399	AL74	1	6184	AL440	
		2	72	7962	1VL40	5/8	116402	AL204	1	65403	A48	
		3,4	53	7962	1VL40	5/8	116101	AL94	1	6185	AL450	
	1/2, 3/4, 1, 1-1/2, 2	5	77	13013	1VM50	5/8	116402	AL204	1	12365	AL510	
		6,7	43	7962	1VL40	5/8	116399	AL74	1	6184	AL440	
		8	67	13013	1VM50	5/8	116401	AL94	1	50474	A47	
		9,10	6	7962	1VL40	5/8	116398	AL64	1	3938	AL430	
		11	63	13013	1VM50	5/8	116399	AL74	1	3938	AL430	
		12	11	13013	1VM50	5/8	116398	AL74	1	50474	A47	
		13,14,15,16	15	13013	1VM50	5/8	116397	AL64	1	50474	A47	
		17,18,19,20,21	19	13013	1VM50	5/8	116403	AL54	1	52966	A44	
		3	80	37451	1VM50	7/8	116404	AL114	1	65404	A51	
		5	60	37451	1VM50	7/8	116399	AL124	1	50513	A52	
	250, 300	1/2, 3/4, 1, 1-1/2, 2	3	54	13580	1VL34	5/8	116400	AL74	1	6184	AL440
			4,5	3	7962	1VL40	5/8	116399	AL84	1	3938	AL430
			6,7	5	7962	1VL40	5/8	116400	AL74	1	6182	AL410
8,9,10			65	13013	1VM50	5/8	116399	AL84	1	6185	AL450	
11,12,13			14	13013	1VM50	5/8	116398	AL74	1	50472	A45	
14,15,16			18	13013	1VM50	5/8	116397	AL64	1	50470	A43	
17,18,19,20,21			22	13013	1VM50	5/8	116403	AL54	1	50500	A41	
3		70A	37451	1VM50	7/8	116404	AL114	1	65403	A48		
350, 400	1/2, 3/4, 1, 1-1/2, 2	2	72	7962	1VL40	5/8	116402	AL204	1	65403	A48	
		3,4	53	7962	1VL40	5/8	116101	AL94	1	6185	AL450	
		5	77	13013	1VM50	5/8	116402	AL204	1	12365	AL510	
		6,7	43	7962	1VL40	5/8	116399	AL74	1	6184	AL440	
		8	67	13013	1VM50	5/8	116401	AL94	1	50474	A47	
		9,10	6	7962	1VL40	5/8	116398	AL64	1	3938	AL430	
		11	63	13013	1VM50	5/8	116399	AL74	1	3938	AL430	
		12	11	13013	1VM50	5/8	116398	AL74	1	50474	A47	
		13,14,15,16	15	13013	1VM50	5/8	116397	AL64	1	50474	A47	
		17,18,19,20,21	19	13013	1VM50	5/8	116403	AL54	1	52966	A44	
		3	80	37451	1VM50	7/8	116404	AL114	1	65404	A51	
		5	60	37451	1VM50	7/8	116399	AL124	1	50513	A52	



**Drive Components - Models SCE and SCB Series 6 with Open Dripproof Motor (cont'd)**

Unit Sizes	Open Motor		Drive AM Nos. (See Key , page 29.)	Motor Pulley			Blower Pulley			Belt		*Shaft Centerline
	HP	Opt		P/N	Mfr #	Bore	P/N	Mfr #	Bore	P/N	Mfr #	
350 400	3/4	AL5	2,3,4	13580	1VL34	5/8	19111	AK84	1	52966	A44	14.37
			5,6	7962	1VL40	5/8	19111	AK84	1	52966	A44	14.01
	1	AL6	3,4,5,6	13580	1VL34	5/8	105484	AK71HⓄ	1	50500	A41	13.98
			7,8,9,10,11	13580	1VL34	5/8	105482	AK56	1	105493	A39	14.25
	1-1/2	AL7	6,7,8,9	7962	1VL40	5/8	105484	AK71HⓄ	1	101412	A42	14.12
			10,11,12,13	105476	1VL44	5/8	18797	AK64	1	101412	A42	13.91
			14,15,16,17,18	7962	1VL40	5/8	105481	AK46	1	16018	A38	14.18
	2	AL8	9,10,11	7962	1VL40	5/8	18797	AK64	1	50500	A41	14.21
			12,13,14,15,16	105476	1VL44	5/8	105482	AK56	1	16019	A40	14.07
			17,18,19,20	7962	1VL40	5/8	105481	AK46	1	16018	A38	14.18
	3	AL9	9,10,11,12,13	106758	1VL44	7/8	50520	AK99	1	16131	A54	14.22
			14,15,16,17,18,19	106758	1VL44	7/8	16153	AK104	1	65403	A48	13.97
5	AL10	12,13,14,15,16,17	6599	2VP42	7/8	7955	2AK104	1	65403	A48	14.11	
		18,19,20,21,22	8973	2VP50	7/8	7955	2AK104	1	50475	A49	14.06	

\*Distance between blower shaft and motor centerline with belts tensioned properly.

\*\*Not for Model 200 or 225.

Ⓞ Use 3/4 "H" Blower Pulley Bushing, P/N 105487

Ⓞ Use 1 "H" Blower Pulley Bushing, P/N 92203

Ⓞ Use 1 "Q1" Motor Pulley Bushing, P/N 6605

**Drive Components - Model SCE and Model SCB Series 6 with Totally Enclosed Motor**

Unit Sizes	TEFC Motor		Drive AM Nos. (See Key , page 29.)	Motor Pulley			Blower Pulley			Belt		*Shaft Centerline
	HP	Opt		P/N	Mfr #	Bore	P/N	Mfr #	Bore	P/N	Mfr #	
125	1/4	AL19	1,2,3,4	13580	1VL34	5/8	19110	AK84	3/4	16019	A40	12.32
			5,6,7,8,9	7962	1VL40	5/8	111607	AK74	3/4	105493	A39	12.56
	1/3	AL20	2,3,4	4074	1VL34	1/2	19110	AK84	3/4	105493	A39	11.82
			5,6,7,8	13491	1VL40	1/2	111607	AK74	3/4	16018	A38	11.56
	1/2	AL21	9,10,11,12,13,14	4074	1VL34	1/2	105477	AK46	3/4	101291	A33	11.56
			5,6,7,8	13580	1VL34	5/8	19108	AK64	3/4	105490	A36	12.57
			9,10,11	105476	1VL44	5/8	105484	AK71HⓄ	3/4	105493	A39	12.32
	3/4	AL22	12,13,14,15,16,17,18	13580	1VL34	5/8	105478	AK41	3/4	101291	A33	12.46
			7,8,9,10	7962	1VL40	5/8	19108	AK64	3/4	16018	A38	12.7
			11,12,13,14,15	13580	1VL34	5/8	105477	AK46	3/4	105488	A34	12.56
	1	AL23	16,17,18,19,20,21,22	7962	1VL40	5/8	105478	AK41	3/4	105488	A34	12.58
			9,10,11,12,13,14,15	13580	1VL34	5/8	105477	AK46	3/4	105488	A34	12.56
1-1/2	AL24	16,17,18,19,20,21,22	7962	1VL40	5/8	105478	AK41	3/4	105488	A34	12.5	
		11,12,13	105476	1VL44	5/8	19108	AK64	3/4	16018	A38	12.4	
		14,15,16,17	7962	1VL40	5/8	105479	AK49	3/4	105489	A35	12.43	
150 175 200 225	1/4	AL19	18,19,20,21,22	7962	1VL40	5/8	105478	AK41	3/4	105488	A34	12.58
			1,2,3,4	13580	1VL34	5/8	19111	AK84	1	52966	A44	13.86
	1/3	AL20	2,3,4	4074	1VL34	1/2	19111	AK84	1	50470	A33	13.86
			5,6,7	4074	1VL34	1/2	18797	AK64	1	16019	A40	14.06
	1/2	AL21	2,3,4	13580	1VL34	5/8	19111	AK84	1	50470	A43	14
			5,6,7,8	13580	1VL34	5/8	18797	AK64	1	16019	A40	14.08
			9,10,11	13580	1VL35	5/9	105481	AK46	1	105491	A37	14.06
	3/4	AL22	5,6,7,8	13580	1VL34	5/8	18797	AK64	1	16019	A40	14.58
			9,10,11,12,13,14,15	13580	1VL34	5/8	105481	AK46	1	105491	A37	14.56
	1	AL23	7,8	13580	1VL34	5/8	18797	AK64	1	16019	A40	14.08
			9,10,11,12,13,14	13580	1VL34	5/8	105481	AK46	1	105491	A37	14.06
			15,16,17	7962	1VL40	5/8	105481	AK46	1	16018	A38	14.18
1-1/2	AL24	9,10,11	105476	1VL44	5/8	105484	AK71HⓄ	1	101412	A42	13.83	
		12,13,14,15,16	105476	1VL44	5/8	105482	AK56	1	16019	A40	14.07	
		17,18	7962	1VL40	5/8	105481	AK46	1	16018	A38	14.18	
2	AL25	9,10,11	106748	1VL40	7/8	18797	AK64	1	50500	A41	14.21	
		12,13,14,15,16,17	106758	1VL44	7/8	105482	AK56	1	16019	A40	14.07	
		18,19,20	106748	1VL40	7/8	105481	AK46	1	16018	A38	14.18	
3	AL26	13,14,15,16,17	106748	1VL40	7/8	111609	AK99	1	50474	A47	14.2	
		18,19,20,21	106748	1VL40	7/8	19111	AK84	1	52966	A44	14	
250 300	1/2	AL21	2,3,4	13580	1VL34	5/8	19111	AK84	1	105493	A39	11.82
			5,6,7,8	13580	1VL34	5/8	18797	AK64	1	105491	A37	12.06
	3/4	AL22	5,6,7	13580	1VL34	5/8	18797	AK64	1	105491	A37	12.06
			8,9,10,11	13580	1VL34	5/8	105482	AK56	1	105489	A35	12.24
	1	AL23	7,8,9,10,11	13580	1VL34	5/8	105482	AK56	1	105489	A35	12.24
			12,13,14,15,16	13580	1VL34	5/8	105481	AK46	1	101291	A33	12.06
	1-1/2	AL24	9,10,11	7962	1VL40	5/8	18797	AK64	1	105491	A37	12.2
			12,13,14,15,16	105476	1VL44	5/8	105482	AK56	1	105490	A36	12.06
			17,18,19,20,21,22,23	105476	1VL44	5/8	105481	AK46	1	105489	A35	12.37
	2	AL25	9,10,11	106748	1VL40	7/8	18797	AK64	1	105491	A37	12.2
			12,13,14,15,16	106758	1VL44	7/8	105482	AK56	1	105490	A36	12.06
			17,18,19,20,21,22,23	106758	1VL44	7/8	105481	AK46	1	105489	A35	12.37
3	AL26	13,14,15,16,17	106748	1VL40	7/8	111609	AK99	1	50470	A43	12.14	
		18,19,20,21,22	37451	1VM50	7/8	16153	AK104	1	50472	A45	12.02	

**Drive Components  
- Model SCE and  
Model SCB Series  
6 with Totally  
Enclosed Motor  
(cont'd)**

Unit Size	TEFC Motor		Drive AM Nos. (See Key, page 29.)	Motor Pulley			Blower Pulley			Belt		*Shaft Centerline
	HP	Opt		P/N	Mfr #	Bore	P/N	Mfr #	Bore	P/N	Mfr #	
350 400	3/4	AL22	2,3,4	13580	1VL34	5/8	19111	AK84	1	52966	A44	14.37
			5,6	7962	1VL40	5/8	19111	AK84	1	52966	A44	14.01
1	AL23		3,4,5,6	13580	1VL34	5/8	105484	AK71H <sup>ⓐ</sup>	1	50500	A41	13.98
			7,8,9,10,11	13580	1VL34	5/8	105482	AK56	1	105493	A39	14.25
1-1/2	AL24		6,7,8,9	7962	1VL40	5/8	105484	AK71H <sup>ⓐ</sup>	1	101412	A42	14.12
			10,11,12,13	105476	1VL44	5/8	18797	AK64	1	101412	A42	13.91
			14,15,16,17,18	7962	1VL40	5/8	105481	AK46	1	16018	A38	14.18
2	AL25		9,10,11	106748	1VL40	7/8	18797	AK64	1	50500	A41	14.21
			12,13,14,15,16	106758	1VL44	7/8	105482	AK56	1	16019	A40	14.07
			17,18,19,20	106748	1VL40	7/8	105481	AK46	1	16018	A38	14.18
3	AL26		9,10,11,12,13	106758	1VL44	7/8	50520	AK134	1	16131	A54	14.22
			14,15,16,17,18,19	106758	1VL44	7/8	16153	AK104	1	65403	A48	13.97

\*Distance between blower shaft and motor centerline with belts tensioned properly. \*\*Not for Model 200 or 225.

- ⓐ Use 3/4 "H" Blower Pulley Bushing, P/N 105487      ⓑ Use 1 "H" Blower Pulley Bushing, P/N 92203  
 ⓒ Use 1 "Q1" Motor Pulley Bushing, P/N 6605

**Drive Components - Model Series SSCBLwith Open Motor (See NOTE, page 29.)**

Unit Size	Open Motor		Voltage Option	Drive AM Nos. (See Key, page 29.)	Motor Pulley			Blower Pulley			Belt		*Shaft Centerline	
	HP	Opt			P/N	Mfr #	Bore	P/N	Mfr No.	Bore	P/N	Qty		Mfr #
All "BL" Units	1	AL6	AK1 (115/1); AK2 (208/1); AK3 (230/1); AK5 (208/3); AK6 (230/3); AK7 (460/3)	AM 2, 3, 4	13580	1VL34	5/8	111862	AK84	1-3/16	16134	1	A57	20.94
				AM 5, 6, 7	13580	1VL34	5/8	105484	AK71H <sup>A</sup>	1-3/16	16134	1	A57	21.03
				AM 2, 3, 4			7/8				16134	1	A57	20.94
				AM 5, 6, 7			7/8				16134	1	A57	21.03
	1-1/2	AL7	AK1 (115/1); AK2 (208/1); AK3 (230/1); AK5 (208/3); AK6 (230/3); AK7 (460/3)	AM 3, 4, 5, 6, 7	13580	1VL34	5/8	105484	AK71H <sup>A</sup>	1-3/16	16134	1	A57	21.03
				AM 8, 9, 10, 11	105476	1VL44	5/8	106256	AK74	1-3/16	16134	1	A57	21.11
				AM 3, 4, 5, 6, 7			7/8				16134	1	A57	21.03
	2	AL8	AK1 (115/1); AK2 (208/1); AK3 (230/1)	AM 8, 9, 10, 11			5/8				16134	1	A57	21.11
				AM 3, 4, 5, 6, 7			5/8				16132	1	A55	20.03
				AM 8, 9, 10, 11			5/8				16133	1	A56	20.85
	3	AL9	AK2 (208/1); AK3 (230/1)	AM 12, 13, 14, 15, 16			5/8				16131	1	A54	21.07
				AM 3, 4, 5, 6, 7	110125	1VP34	7/8	105484	AK71H <sup>A</sup>	1-3/16	16132	1	A55	20.03
				AM 8, 9, 10, 11	106758	1VL44	7/8	105484	AK71H <sup>A</sup>	1-3/16	16133	1	A56	20.85
	5	AL10	AK5 (208/3); AK6 (230/3); AK7 (460/3); AK8 (575/3)	AM 12, 13, 14, 15, 16	106758	1VL44	7/8	110807	AK56H <sup>A</sup>	1-3/16	16131	1	A54	21.07
				AM 7, 8, 9			5/8				92264	1	A78	20.95
				AM 10, 11, 12, 13			5/8				16558	1	A69	20.96
	7-1/2	AL11	AK5 (208/3); AK6 (230/3); AK7 (460/3); AK8 (575/3)	AM 14, 15, 16, 17, 18			5/8				111870	1	A66	20.92
				AM 7, 8, 9	37451	1VM50	7/8	16160	AK184	1-3/16	92264	1	A78	20.95
				AM 10, 11, 12, 13	106758	1VL44	7/8	16158	AK134	1-3/16	16558	1	A69	20.96
	10	AL12	AK5 (208/3); AK6 (230/3); AK7 (460/3); AK8 (575/3)	AM 14, 15, 16, 17, 18	37451	1VM50	7/8	16156	AK124	1-3/16	111870	1	A66	20.92
				AM 8,9,10,11	6599	2VP42	7/8	16161	2AK134	1-3/16	92408	1	A68	21.08
				AM 12,13,14,15	87500	2VP36	7/8	16003	2BK100	1-3/16	88560	1	A61	21.01
	**15	AL15	AK5 (208/3); AK6 (230/3); AK7 (460/3); AK8 (575/3)	AM 16, 17, 18, 19, 20	6599	2VP42	7/8	16003	2BK100	1-3/16	16137	1	A62	21.08
				AM 10, 11	16150	2VP62	1-3/8	16168	2BK110	1-3/16	92414	1	B64	20.47
AM 12, 13				16150	2VP62	1-3/8	16003	2BK100	1-3/16	7950	1	B62	20.31	
***15	AL15	AK5 (208/3); AK6 (230/3); AK7 (460/3); AK8 (575/3)	AM 14, 15, 16	16150	2VP62	1-3/8	91633	2TB86 <sup>B</sup>	1-3/16	92280	1	BX59	20.47	
			AM 17, 18, 19, 20	110771	2VP65	1-3/8	89648	2BK80H <sup>A</sup>	1-3/16	92280	1	BX59	20.37	
			AM 10, 11	16150	2VP62	1-3/8	16168	2BK110	1-3/16	92414	1	B64	20.47	
***20	AL16	AK5 (208/3); AK6 (230/3); AK7 (460/3); AK8 (575/3)	AM 12, 13	16150	2VP62	1-3/8	16003	2BK100	1-3/16	7950	1	B62	20.31	
			AM 14,15,16	16150	2VP62	1-3/8	91633	2TB86 <sup>B</sup>	1-3/16	92280	1	BX59	20.47	
			AM 17, 18, 19, 20	110771	2VP65	1-3/8	89648	2BK80H <sup>A</sup>	1-3/16	92280	1	BX59	20.37	
***20	AL16	AK5 (208/3); AK6 (230/3); AK7 (460/3); AK8 (575/3)	**AM 15, 16, 17, 18, 19, 20	89644	3MVP40-B54	1-5/8	106258	3TB66H <sup>G</sup>	1-7/16	92224	1	B56	20.47	
			**AM 21, 22, 23, 24	89644	3MVP40-B54	1-5/8	106262	3BK65H <sup>C</sup>	1-7/16	92224	1	B56	20.53	
			**AM 17, 18, 19, 20, 21, 22, 23, 24	89644	3MVP40-B54	1-5/8	106262	3BK65H <sup>C</sup>	1-7/16	92239	1	BX54	20.11	
***20	AL15	AK5 (208/3); AK6 (230/3); AK7 (460/3); AK8 (575/3)	***AM 15, 16, 17	148593 <sup>E</sup>	2MVP70B84P	1-5/8"	113811	2BK120H <sup>D</sup>	1-7/16"	80841	2	BX67	20.47	
			***AM 18, 19, 20, 21	148594 <sup>F</sup>	2MVP80B94Q	1-5/8"	114045	2B5V110 <sup>G</sup>	1-7/16"	148605	2	BX69	20.53	
			***AM 22, 23, 24	148593 <sup>E</sup>	2MVP70B84P	1-5/8"	148597	2B5V90 <sup>G</sup>	1-7/16"	114258	2	BX64	20.11	
***20	AL16	AK5 (208/3); AK6 (230/3); AK7 (460/3); AK8 (575/3)	***AM 17	148593 <sup>E</sup>	2MVP70B84P	1-5/8"	113811	2BK120H <sup>D</sup>	1-7/16"	80841	2	BX67		
			***AM 18, 19, 20, 21	148594 <sup>F</sup>	2MVP80B94Q	1-5/8"	114045	2B5V110 <sup>G</sup>	1-7/16"	148605	2	BX69		
			***AM 22, 23, 24	148593 <sup>E</sup>	2MVP70B84P	1-5/8"	148597	2B5V90 <sup>G</sup>	1-7/16"	114258	2	BX64		

\*Distance between blower shaft and motor centerline with belts tensioned properly. \*\* Three-Groove Drives \*\*\*Two-Groove Drives

- <sup>A</sup> Use 1-3/16 "H" Blower Pulley Bushing, P/N 106260  
<sup>B</sup> Use 1-3/16 "Q1" Blower Pulley Bushing, P/N 39460  
<sup>C</sup> Use 1-7/16 "H" Blower Pulley Bushing, P/N 89659  
<sup>D</sup> Use 1-7/16 "B" Blower Pulley Bushing, P/N 114033  
<sup>E</sup> Use 1-5/8 "P2" Motor Pulley Bushing, P/N 148595  
<sup>F</sup> Use 1-5/8 "Q2" Motor Pulley Bushing, P/N 148596  
<sup>G</sup> Use 1-7/16 "P1" Blower Pulley Bushing, P/N 106261





## Drive Components - Model SSCBL with Premium Efficiency Motor (cont'd)

Unit Size	Premium Motor		Voltage Option	Drive AM Nos. (See Key, page 29.)	Motor Pulley			Blower Pulley			Belt			*Shaft Centerline	
	HP	Opt			P/N	Mfr No.	Bore	P/N	Mfr No.	Bore	P/N	Qty	Mfr No.		
All "BL" Units (cont'd)	**15 & 20	AL43	AK5 (208/3); AK6 (230/3); AK7 (460/3); AK8 (575/3)	**AM 15, 16, 17	148593	2MVP70B84P <sup>D</sup>	1-5/8	113811	2BK120H <sup>C</sup>	1-7/16	80841	2	BX67	20.47	
		AL44		**AM 18, 19, 20, 21	148594	2MVP80B94Q <sup>E</sup>	1-5/8	114045	2B5V110 <sup>F</sup>	1-7/16	148605	2	BX69	20.53	
		AL43		**AM 22, 23, 24	148593	2MVP70B84P <sup>D</sup>	1-5/8	148597	2B5V90 <sup>F</sup>	1-7/16	114258	2	BX64	20.11	
	***15	AL43		***AM 15, 16, 17	148593	2MVP70B84P <sup>D</sup>	1-5/8	113811	2BK120H <sup>C</sup>	1-7/16	80841	2	BX67		
		AL44		***AM 18, 19, 20, 21	148594	2MVP80B94Q <sup>E</sup>	1-5/8	114045	2B5V110 <sup>F</sup>	1-7/16	148605	2	BX69		
		AL43		***AM 22, 23, 24	148593	2MVP70B84P <sup>D</sup>	1-5/8	148597	2B5V90 <sup>F</sup>	1-7/16	114258	2	BX64		
	***20	AL44		***AM17	148593	2MVP70B84P <sup>D</sup>	1-5/8	113811	2BK120H <sup>C</sup>	1-7/16	80841	2	BX67		
		AL43		***AM 18, 19, 20, 21	148594	2MVP80B94Q <sup>E</sup>	1-5/8	114045	2B5V110 <sup>F</sup>	1-7/16	148605	2	BX69		
		AL44		***AM 22, 23, 24	148593	2MVP70B84P <sup>D</sup>	1-5/8	148597	2B5V90 <sup>F</sup>	1-7/16	114258	2	BX64		

\*Distance between blower shaft and motor centerline with belts tensioned properly. \*\* Three-Groove Drives \*\*\*Two-Groove Drives

<sup>A</sup> Use 1-3/16 "H" Blower Pulley Bushing, P/N 106260

<sup>D</sup> Use 1-5/8 "P2" Motor Pulley Bushing, P/N 148595

<sup>B</sup> Use 1-3/16 "Q1" Blower Pulley Bushing, P/N 39460

<sup>E</sup> Use 1-5/8 "Q2" Motor Pulley Bushing, P/N 148596

<sup>C</sup> Use 1-7/16 "H" Blower Pulley Bushing, P/N 89659

<sup>F</sup> Use 1-7/16 "B" Blower Pulley Bushing, P/N 114033

## Drive Components - Model SSCBL with Two-Speed Motor

Unit Size	2-Spd Motor		Voltage Option	Drive AM Nos. (See Key, page 38)	Motor Pulley			Blower Pulley			Belt			*Shaft Centerline		
	HP	Opt			P/N	Mfr #	Bore	P/N	Mfr #	Bore	P/N	Qty	Mfr #			
All "BL" Units	1-1/2	AL45	AK5 (208/3); AK6 (230/3); AK7 (460/3)	AM 2, 3, 4	110125	1VP34	7/8	111862	AK84	1-3/16	16134	1	A57	20.94		
				AM 5, 6, 7	110125	1VP34	7/8	105484	AK71H <sup>A</sup>	1-3/16	16132	1	A55	21.03		
				AL46	AM 3, 4, 5, 6, 7	110125	1VP34	7/8	105484	AK71H <sup>A</sup>	1-3/16	16132	1	A55	21.03	
					AM 8, 9, 10, 11	106758	1VL44	7/8	106256	AK74	1-3/16	16134	1	A57	21.11	
					AL47	AM 4, 5	111681	1VP50	1-1/8	16156	AK124	1-3/16	111870	1	A66	20.92
						AM 6, 7, 8, 9	110151	1VP44	1-1/8	111862	AK84	1-3/16	92402	1	A59	21.28
		AM 10, 11, 12, 13				110151	1VP44	1-1/8	112026	BK85H <sup>A</sup>	1-3/16	92225	1	B57	21.22	
		AM 14, 15, 16, 17, 18, 19				110151	1VP44	1-1/8	112035	BK60	1-3/16	92239	1	BX54	20.93	
		AL48		AM 4, 5		111681	1VP50	1-1/8	16156	AK124	1-3/16	111870	1	A66	20.92	
				AM 6, 7, 8, 9		110151	1VP44	1-1/8	111862	AK84	1-3/16	92402	1	A59	21.28	
				AM 10, 11, 12, 13	110151	1VP44	1-1/8	112026	BK75H <sup>B</sup>	1-3/16	92225	1	B57	21.22		
				AM 14, 15, 16, 17, 18, 19	110151	1VP44	1-1/8	112035	BK60	1-3/16	92239	1	BX54	20.93		
	AL49			AM 8, 9, 10, 11	106257	2VP60	1-3/8	16168	2BK110	1-3/16	6010	1	B65	21.28		
				AM 12, 13, 14, 15	106257	2VP60	1-3/8	16167	2BK90	1-3/16	92289	1	BX61	20.93		
		AM 16, 17, 18, 19, 20		106257	2VP60	1-3/8	92419	2TB70 <sup>B</sup>	1-3/16	16143	1	B59	21.07			
		7-1/2		AL50	AM 10, 11	16150	2VP62	1-3/8	16168	2BK110	1-3/16	92414	1	B64	20.47	
				AL50	AM 12, 13	16150	2VP62	1-3/8	16003	2BK100	1-3/16	7950	1	B62	20.31	
				AL50	AM 14, 15, 16	16150	2VP62	1-3/8	91633	2TB86 <sup>B</sup>	1-3/16	92280	1	BX59	20.47	
	AL50			AM 17, 18, 19, 20	110771	2VP65	1-3/8	89648	2BK80H <sup>A</sup>	1-3/16	92280	1	BX59	20.37		
	10			AL51	AM 13, 14, 15, 16	91615	2MPV40-B54	1-5/8	89648	2BK80H <sup>A</sup>	1-3/16	92226	1	B58	20.47	
				AL51	AM 17, 18, 19, 20, 21, 22	91615	2MPV40-B54	1-5/8	110810	2BK70H <sup>A</sup>	1-3/16	92225	1	B57	20.37	

\*Distance between blower shaft and motor centerline with belts tensioned properly.

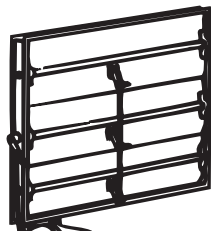
<sup>A</sup> Use 1-3/16 "H" Blower Pulley Bushing, P/N 106260.

<sup>B</sup> Use 1-3/16 "Q1" Blower Pulley Bushing, P/N 39460.

## Dampers and Controls -

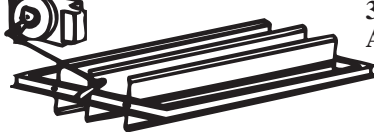
Applies to Models SCE and SSCBL

Damper Motor and Linkage



350 - Outside Air Dampers

350 - Return Air Dampers



**Code 350 - Damper and Frame Assembly for 100% Outside Air or Return Air Dampers (includes one frame and damper blades only)**

Model Sizes		P/N
	100, 125	105421
	150, 175	105422
	200, 225	105423
500, 600	250, 300	105424
700, 1050	350	105425
400, 800, 1200	400	105426



**Code 351 - Hand Quadrant, P/N 103502**

**Code 352 - Manual Damper Control Bracket, P/N 175428**

**Code 353 - Damper Motor for 2-Position Damper (open/closed), J/C M-9206-BGB-2S, P/N 209351**

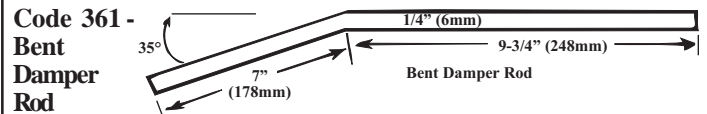
**Code 353A - Kit, P/N 209423**, includes motor P/N 209351, a mounting kit, and crankarm to field replace discontinued motors, P/N 66276 and P/N 97385.



**Code 355 - Modulating Damper Motor used in Option AR23, M/H #M6194B1011, P/N 115683** (with pressure null switch)



Code	Description	P/N	Components by Option Description - Option AR															
			6	7	8	9	11	12	13	14	15	16	17	18	23			
351	Hand Quadrant #14004728-001	103502	X					X										
352	Manual Damper Control Bracket (replaces P/N 103488)	143182	X					X										
353	2-Position Damper Motor	209351		X	X							X					X	
354	Replacement Kit for Damper Motor P/N 66276 (replaced by 209351 above) and P/N 97385 is P/N 209423.																	
355	Floating Modulating Damper Motor, #M6194B1011	115683																X
356	Modulating Damper Motor, #M9175A1051 (no end switch)	115681				X			X	X		X	X			X		
357	Optional Modulating Damper Motor, #M9175D1014 (replacement requires auxiliary switch kit, P/N 145881)	115682				X			X	X		X	X			X		
358	Damper Rod, 1/4 x 13 inches long	112554							X	X	X	X	X	X	X	X	X	X
359	Damper Rod, 1/4 x 18 inches long	11560									X					X		
360	Damper Rod, 1/4 x 17 inches long	112556			X	X			X	X		X	X			X	X	
361	Damper Rod, 1/4 x 22 inches long	26299	X															
362	Damper Rod, Bent	105420						X										
363	Damper Rod Arm, W-R #135-0007	66278	X															
364	Damper Arm, M/H #20265	12635		X(2)	X	X(2)	X(2)	X(2)	X(2)	X(2)	X(3)	X(2)	X(2)	X(3)	X(2)	X(2)	X(2)	X(2)
365	Ball and Socket, M/H #27518	12636	X(2)	X(2)	X(2)	X(2)	X(2)	X(4)	X(4)	X(4)	X(4)	X(4)	X(4)	X(4)	X(4)	X(4)	X(4)	X(4)
366	Crank Arm M/H #221455A	116209			X				X	X		X	X		X	X		X
367	Damper Arm Support Plate	14225						X										
368	Damper Motor Support Assy	100315	X	X	X				X	X	X	X	X	X	X	X	X	X
369	Damper Arm Adjustment Plate	115687							X	X	X	X	X	X	X	X	X	X
370	Damper Arm Adjustment Plate	142982																X
371	Air Controller Support Bracket	103758				X			X	X	X		X			X		
372	Potentiometer, M/H #112894FA	16110				X				X		X					X	
373	Null Switch (pressure), Dwyer #1640	88052																X
374	Mixed Air Controller, M/H #T991A-1004	16109							X	X		X	X					
375	Outdoor Air Controller, J/C#A19AAF-120	126170									X	X	X					
376	Auxiliary End Switch only for M/H Damper Motors, #Q607B1067	113963																
377	Auxiliary Switch Kit (2 switches), M/H 220736B	145881																
378	DDC (4-20ma) interface module for use with modulating damper motor, Honeywell Q7230A	171134																



**Code 356 - Modulating Damper Motor, M/H M9175A1051 less end switches, P/N 115681 (replaces P/N 53928)**



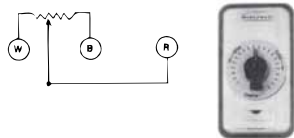
**Code 357 (illustrated) - Modulating Damper Motor, M/H M9175D1014, P/N 115682, replacement requires auxiliary switch kit, P/N 145881, (Code 376) (replaces motor P/N 96767)**

**Code 361 - Bent Damper Rod**

**Damper Linkage**

**NOTE:** Crank Arm Code 365 is used with motors P/N 115682, 115683, and 115681 (used in currently manufactured units)  
Use Crank Arm P/N 20874 (illustrated), M/H #7616BR, with motors P/N 53928, 87059, and 96767

**Code 372 - Potentiometer, M/H 112894FA, P/N 16110**



**Code 373 - Pressure Null Switch, Dwyer #1640-0, Range .01" to .2" w.c., P/N 88052**



**Code 374 - Mixed Air Controller, M/H T991-1004, P/N 16109**



**Grommet Clamp, P/N 39224**



**Code 376 - Auxiliary End Switch, P/N 113963, M/H Q607B1067**



**Code 375 - Outside Air Controller, J/C A19AAF-120, P/N 126170 (replaces P/N 16108)**



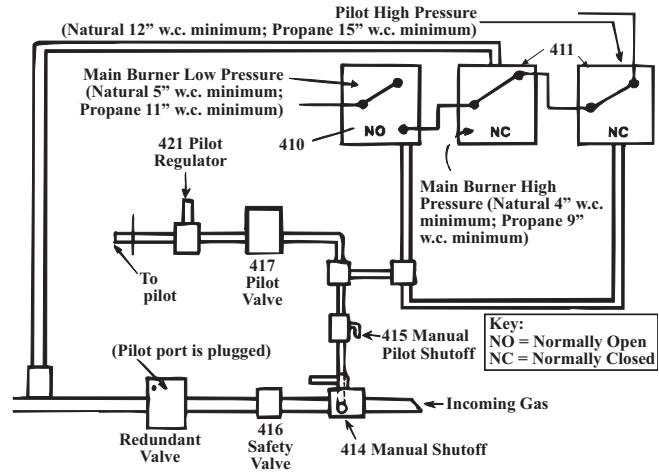
**Code 378 - DDC (4-20 ma) interface module for modulating damper motor, P/N 171134, M/H Q7230A**



# Special Manifold Components

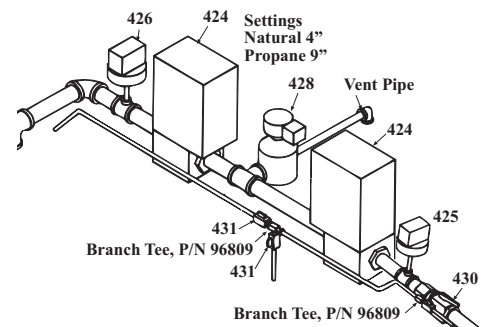
## Codes 410-423 - Illinois School Code, Option BM12 (applies to Model SCE Series 6 and Model SSCBL)

Code	Description	P/N
Components for Illinois School Code Manifold (Option BM12 is available on SCE Series 6 and SSCBL)		
410	Low Gas Pressure Switch, see page 26, Codes 325 or 326	
411	High Gas Pressure Switch, see page 26, Code 327	
412	Vent Limiter, Maxitrol A1209, see page 26	
413	Pressure Switch Brackets	(3-7)100261
414	Manual Gas Valve (one per unit), page 9	
415	Manual Pilot Shutoff (one per unit), page 9	
416	Safety Solenoid Valve (one per unit)	88242
417	Pilot Valve (one per unit)	25787
418	Pilot Valve Bracket	100262
419	Relay SPDT	(2)103317
420	Relay SPST	98118
421	Pilot Regulator, Maxitrol 400S	86965
422	Switch Push Button (Alarm Silencing)	110130
423	Alarm Bell (Adaptable Edwards #340-465, 24V), see page 28.	110131

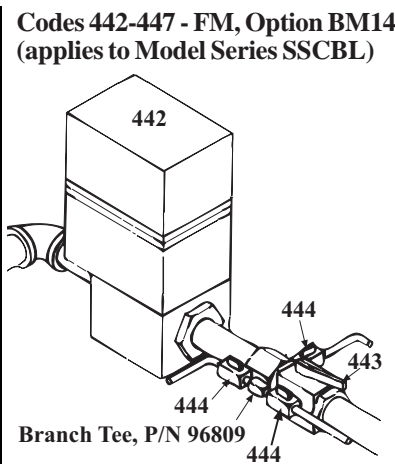


## Codes 424-435 - IRI, Option BM13 (applies to Model SSCBL 1050 and 1200) - DISCONTINUED 9/2003

Code	Description	P/N	Code	Description	P/N
Components for IRI Manifold (Option BM13 is available on Model SSCBL 1050 and 1200) - not mfgd after 9/2003					
424	Fluid Power Valve	(2) 89356	434	Transformer 230/460 to 115V, .5KVA	86997
	Fluid Power Valve Actuator	(2) 86993		Transformer 208 to 115V, .5KVA	86998
425	Low Gas Pressure Switch, page 25, Codes 325 & 326			Transformer 208 to 115V, 250VA	86991
426	High Gas Pressure Switch, page 25, Code 327			Transformer 230/460/575 to 115V, 300VA	105202
427	Vent Limiter, Maxitrol A1209, page 25	(2)123481	435	Pilot Regulator	(3)86965
428	Vent Solenoid Valve	86996	436	Valve Box Top	110194
429	Pilot Valve (one per unit)	25787	437	Valve Box Inlet Side	110195
430	Manual Shutoff & Ball Valve Adapter, page 9		438	Valve Box Plain Side	110196
431	Pilot Manual Shutoff (one per unit), page 9		439	Valve Box Back	110197
432	RBM Relay	(4)98118	440	Top Door	110198
433	Pilot Valve Bracket	(2)100262	441	Bottom Door	110199



Code	Description	P/N
Components for FM Manifold (Option BM14 is available on Model SSCBL only)		
442	Fluid Power Valve	89356
	Fluid Power Valve Actuator	86993
443	Manual Shutoff and Ball Valve Adapter, page 9	
444	Pilot Manual Shutoff (one per unit), page 9	
445	Pilot Valve (one per furnace)	25787
446	Pilot Valve Bracket	100262
447	Pilot Regulator	86965
448	Transformer 230/460/575 to 115V, 300VA	105202
	Transformer 208 to 115V, 250VA	86991
449	Valve Box Top	110211
450	Valve Box Inlet Side	110195
451	Valve Box Plain Side	110196
452	Valve Box Back	110212
453	Top Door	110213
454	Bottom Door	110214



Codes 416, 417, 429, 445 - Solenoid Valve  
1/4", P/N 25787  
3/4", P/N 88242  
1", P/N 112922



Code 418, 433, 446 - Pilot Valve Bracket in Options BM12, BM13, BM14, P/N 100262



Code 421, 447 - Pilot Regulator, Maxitrol R400S, P/N 86965

### Springs for R400S Pilot Regulator

Maxitrol P/N	Color	Pressure Range	Approx Length
R400B10-13	Brown	1.0 to 3.5 (w.c.)	1-9/16 to 2"
R400B10-25	Cadmium Plate	2.0 to 5.0 (w.c.)	1-9/16 to 2"
R400B10-36	Cadmium Plate	3.0 to 6.0 (w.c.)	1-9/16 to 2"
R400B10-38	Pink	3.0 to 8.0 (w.c.)	1-9/16 to 2"

### Codes 424 and 442

Valve only (used with actuator on the right)

Size	Gas	Reznor P/N	M/HP/N
1"	N or P	86992	V5055A1004
1-1/4"	N or P	89356	V5055A1012
2"	N or P	91079	V5055A1038

P/N 86993 Actuator (M/H V4055A1007)



Code 428 - Vent Valve, G/C #S262, P/N 86996

