

IMPORTANT

1. Always include complete heater model and serial number so that any specification change can be considered for parts replacement. It can save time and expense.
2. In keeping with our policy of continuous product improvement, we reserve the right to alter any information shown here. Specifications are subject to change without notice.
3. We reserve the right to substitute functional replacements
4. Order by P/N; not Heater Option Designation.

Replacement Parts

Applies to: Model UEAS, High-Efficiency, Low-Static Unit Heater



Index

- B**
Burner and Components 5
- C**
Cabinet Parts 7
Capacitor 3
Combustion Air Inlet 6
Concentric Adapter Box 6
Conversion Kit 5
- D**
Date of Manufacture 2
Disconnect Switch 3
Door Assembly 7
Door Switch 3
DSI Integrated Control Module 3
- E**
Electrical Components - Location 3
Electrode 5
- F**
Fan and Motor Components 5
Fan Blade 5
Fan Guard 5
Flue Wrapper 4
- G**
Collection Box Gasket 6
Header Gaskets 6
Bird Guard 6
- H**
Hanger Kit 7
- I**
Primary Heat Exchanger Assembly 6
Secondary Heat Exchanger Assembly 6
High Temperature Limit Switch 3
- K**
Horizontal Vent/Combustion Air Terminal Kit 6
Vertical Vent/Combustion Air Kit 6
- L**
High Temperature Limit Control 3
Vent Temperature Limit Switch 3
Logo 7
Louvers 7
Vertical Louvers 8
- M**
Fan Motor 5
- N**
Downturn Nozzles 8
- O**
Orifice 5
Orifice Adapter 5
- P**
Paint 7
Panels 7
Pressure Switch 3
4" PVC Cap 6
- R**
Rain Collar 6
Rating Plate 2
Time Delay Relay 3
Ring Guard 6
- S**
Bird Screen 6
Silicone Sealing Ring 6
Flame Sensor 5
Serial No. 2
Shaft Protector 4
Spacers 6
Swivel Connector 7
- T**
Thermostat 8
Top Panel 7
Transformer 3
- V**
Manual Shutoff Valve 5
Valve Code 5
Vent / Combustion Air Component 6
Venter Components 4
Venter Housing 4
Venter Motor and Wheel Assembly 4
Vent Temperature Limit Switch 3
- W**
Blower Wheel and Housing 4
Wiring Harness 3

References

Printed Forms	Form	P/N
Installation/Operation/Maintenance Manual	I-UEAS	221232
Replacement Valves	P-VALVES	263995
Website: www.RezSpec.com (Downloadable files of all printed forms are on the Website)		

Rating Plate and Serial No.

Serial No. Decoding

Serial No. Sample: **BGG 79 Z7 N 00000**

Elements of No.: **1 | 2 | 3 | 4 | 5**

Key: 1 = Date of Manufacture Code (See table below.)
 2 = Ignition Code (See Form P-Valves.)
 3 = Valve Code (See Form P-Valves.)
 4 = Type of Gas (N = Natural; L = Propane)
 5 = Consecutive number

Prefix to Serial No. **Prefix Key: E = E3 (409) Stainless Steel Heat Exchanger**

Serial No. Date of Manufacture

Year	Jan	Feb	Mar	Apr	May	June	July	Aug	Sept	Oct	Nov	Dec
2007	BGA	BGB	BGC	BGD	BGE	BGF	BGG	BGH	BGI	BGJ	BGK	BGL
2008	BHA	BHB	BHC	BHD	BHE	BHF	BHG	BHH	BHI	BHJ	BHK	BHL
2009	BIA	BIB	BIC	BID	BIE	BIF	BIG	BIH	BII	BIJ	BIK	BIL
2010	BJA	BJB	BJC	BJD	BJE	BJF	BJG	BJH	BJI	BJJ	BJK	BJL
2011	BKA	BKB	BKC	BKD	BKE	BKF	BKG	BKH	BKI	BKJ	BKK	BKL
2012	BLA	BLB	BLC	BLD	BLE	BLF	BLG	BLH	BLI	BLJ	BLK	BLL
2013	BMA	BMB	BMC	BMD	BME	BMF	BMG	BMH	BMI	BMJ	BMK	BML
2014	BNA	BNB	BNC	BND	BNE	BNF	BNG	BNH	BNI	BNJ	BNK	BNL
2015	BOA	BOB	BOC	BOD	BOE	BOF	BOG	BOH	BOI	BOJ	BOK	BOL
2016	BPA	BPB	BPC	BPD	BPE	BPF	BPG	BPH	BPI	BPJ	BPK	BPL
2017	BQA	BQB	BQC	BQD	BQE	BQF	BQG	BQH	BQI	BQJ	BQK	BQL
2018	BRA	BRB	BRC	BRD	BRE	BRF	BRG	BRH	BRI	BRJ	BRK	BRL
2019	BSA	BSB	BSC	BSD	BSE	BSF	BSG	BSH	BSI	BSJ	BSK	BSL
2020	BTA	BTB	BTC	BDT	BTE	BTG	BTG	BTH	BTI	BTJ	BTK	BTL

Sample of Model UEAS Rating Plate

REZNOR
MERCER, PA. USA 16137

MADE IN MEXICO

SEPARATED COMBUSTION SYSTEM UNIT HEATER

CATEGORY IV

ANSI Z83.8-2006 CSA 2.6-2006 UNIT HEATER

MODEL [B] [C]

SERIAL NO.

[D] VOLTS [D] PH [D] HZ MAXIMUM TOTAL INPUT [D] AMPS

TYPE OF GAS: [E]

FOR USE AT 0-2000 FEET, 0-610 METERS OF ALTITUDE.

ORIFICE SIZE [F] DRILL

SEA LEVEL

NORMAL INPUT [J] BTU/HR

THERMAL OUTPUT CAPACITY [L] BTU/HR

MINIMUM INPUT [M] BTU/HR

NORMAL MANIFOLD PRESSURE [G] IN.W.C.

MIN. PERMISSIBLE GAS SUPPLY PRESSURE

FOR PURPOSE OF INPUT ADJUSTMENT. [H] IN.W.C.

CLEARANCES TO COMBUSTIBLE CONSTRUCTION: TOP-4", FLUE CONNECTION-0", CONTROL SIDE-18", OPP. SIDE-2", BOTTOM-1", FRONT-36"

FOR ALTERNATE INSTALLATIONS USE THE LATEST EDITIONS OF THE APPROPRIATE STANDARD LISTED BELOW:

FOR AIRCRAFT HANGARS USE STANDARD ANSI/NFPA 409

FOR PARKING STRUCTURES USE STANDARD ANSI/NFPA 88A

FOR REPAIR GARAGES USE STANDARD ANSI/NFPA 88B

THIS UNIT IS NOT FOR USE WITH DUCTS.

THIS UNIT IS NOT FOR USE WITH FILTERS.

CONSTRUCTION WALL THICKNESS FOR PURPOSE OF VENTING: 1" MIN., 48" MAX.

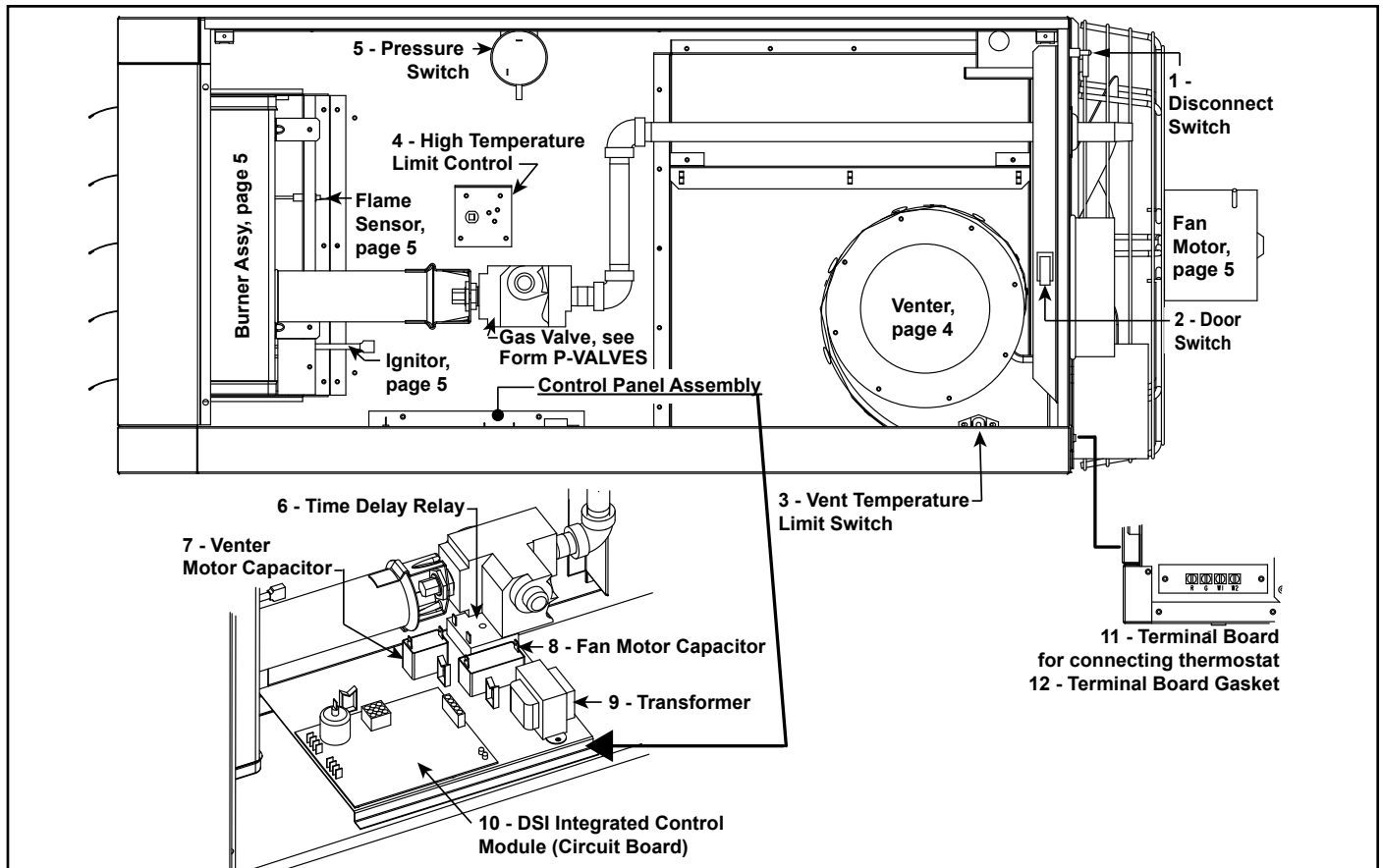
In the event the vent temperature limit switch causes the heater to shut off. Determine and correct the cause. Failure to do so could result in personal injury or death. To reset, depress the button on the sensor located on the side of the venter housing.

Rating Plate Key:

- B = Model No.**
- C = Date of Manufacture (Month & Year)**
- D = Volts; Phase; Hertz; Input Amps**
- E = Fuel Type (natural gas or propane)**
- F = Orifice Size**
- G = Normal Manifold Pressure (inches w.c.)**
- H = Minimum Gas Supply Pressure (inches w.c.)**
- J = Normal BTUH Input (sea level)**
- L = Thermal Output BTUH (sea level)**
- M = Minimum BTUH Input (sea level)**

Electrical Components - Locations and P/N's

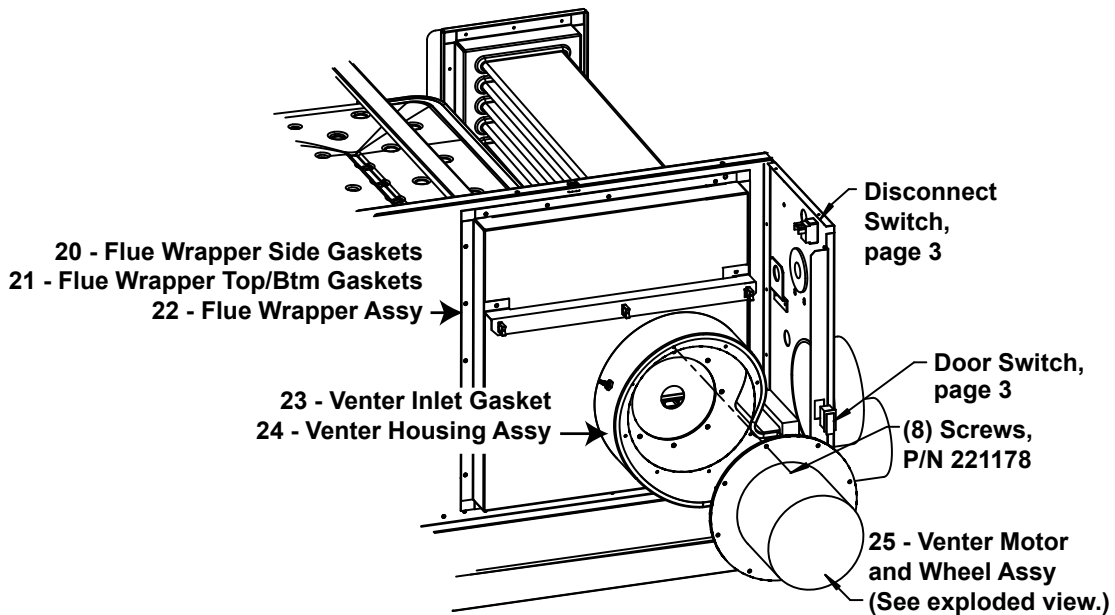
CODE	Description	130	180	260	310
1	Disconnect Switch			101902	
2	Door Switch			217262	
3	Vent Temperature Limit Switch, Thermodisc	221158, Opens 145°F, manual reset			
4	High Temperature Limit Switch	45602, 180°		85449, 200°, Yellow	45602, 180°
5	Pressure Switch	221251, Yellow		221228, Blue	
6	Time Delay Relay			221388	
7	Venter Motor Capacitor			195643	
8	Fan Motor Capacitor			195643	
9	Transformer			175265	
10	DSI Integrated Control Module (Circuit Board)			195265	
11	Wiring Harness			234021	



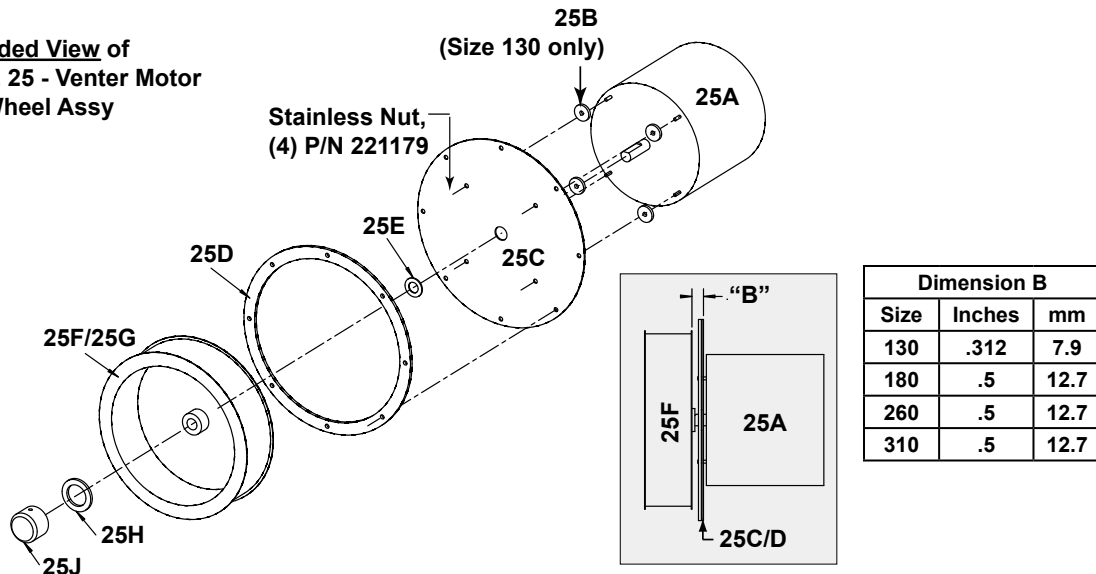
<p>CODE 1 - On/Off Disconnect Switch, P/N 101902</p> 	<p>CODE 2 - Safety Door Switch, Carling #TA22B-TLB-B, P/N 217262</p> 	<p>CODE 3 - Vent Temperature Limit Switch, Thermodisc 36T26 73DD, P/N 221158</p> 	<p>CODE 4 - High Temperature Limit Switch, See P/N by Size</p> 	<p>CODE 5 - Pressure Switch, Honeywell, See P/N by Size</p> 
<p>CODE 6 - Time Delay Relay, Airotronics, 24VAC, P/N 221388</p> 	<p>CODES 7 & 8 - Capacitor, 7.5mfd, 400VAC, P/N 195643</p> 	<p>CODE 9 - Transformer, 120/24 volts, P/N 175265</p> 	<p>CODE 10 - DSI Integrated Control Module, P/N 195265</p> 	

Flue Wrapper and Venter Components

CODE	Description	130	180	260	310
20	Flue Wrapper Side Gaskets	(2) 221198		(2) 221199	
21	Flue Wrapper Top/Bottom Gaskets		(2) 221200		
22	Flue Wrapper	220823		220824	
23	Venter Housing Gasket		221164		
24	Venter Housing Assembly (includes CODE 24A and CODE 3, Vent Temperature Limit)		221520		
24A	Static Pressure Tap		116043		
25	Venter Motor and Wheel Assembly	222648		221240	
25A	Venter Motor, A.O. Smith F48Y67A13		221159		
25B	Flat Washer		(4) 204323		
25C	Motor Plate		221162		
25D	Motor Plate Gasket		221163		
25E	Slinger (smooth side must be flush against the motor plate)		221861		
25F	Venter Wheel		221172		
25G	Venter Wheel Housing		221173		
25H	Shaft Protector Gasket		221161		
25J	Shaft Protector		221160		
25K	Setscrew		222077		

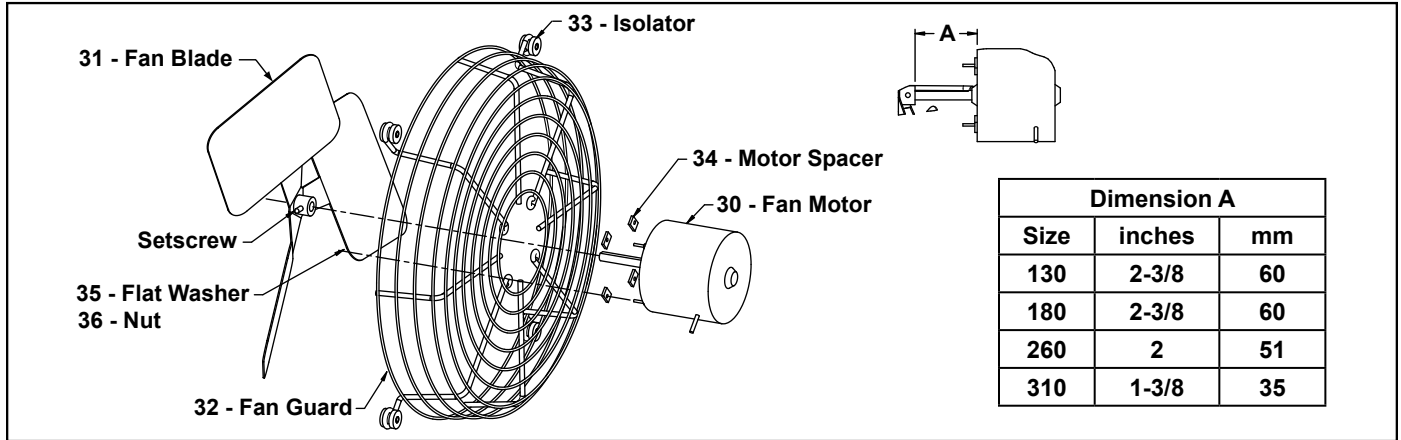


**Exploded View of
CODE 25 - Venter Motor
and Wheel Assy**



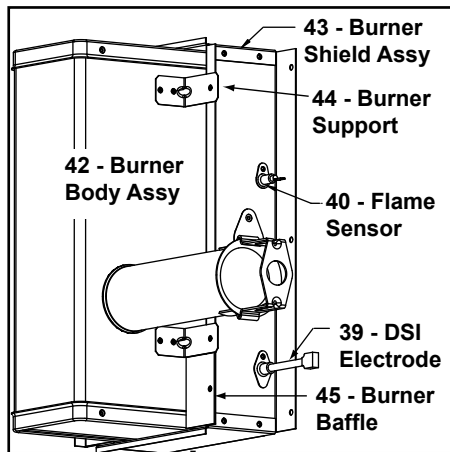
Fan and Motor Components

CODE	Description	130	180	260	310
30	Fan Motor	115V		196246	196247
		115V, AL14 (enclosed)		196824	196825
31	Fan Blade (Setscrew torque 130±10 in/lbs)	195680	195683	209121	
32	Fan Guard	170084	170086		
33	Isolator	(4) 196348			
34	Motor Spacer	N/A	204321		
35	Flat Washer	(4) 204323			
36	Nut	(4) 216942			



Burner and Components and Conversion Kits

CODE	Description	130	180	260	310	
39	DSI Electrode	175272				
40	Flame Sensor	195292				
41	Burner Inlet Plate	221165	221166	221167	221168	
42	Burner Body Assembly	221476	195238	195241	195243	
43	Burner Shield Assembly	195528	195529	195532	195534	
44	Burner Supports	(4) 196598				
46	Natural Gas Orifice	P/N	211851	221263	196894	221264
		Marking	#3	6.2MM	7.6MM	0
	Propane Orifice	P/N	120415	221265	196902	196903
		Marking	3.3MM	25	14	8
47	Orifice Adapter	165701		194809		
48	Pipe Nut, 1/2"	165702				
49	Natural to Propane Conversion Kit	Select by Serial No. Valve Code (see page 2)				
		Valve Code	Y2 or Z7		Y3 or Z8	
		Kit P/N	221442	221443	221444	221445
		Valve Code	6E			
		Kit P/N	261647	261648		



41 - Burner Inlet Plate

Screws, P/N 195638

Manifold Assembly

46 - Orifice
47 - Orifice Adapter
48 - Pipe Nut

Gas Valve - See Form P-VALVES (Identified by Serial No. Valve Code; see page 2.)

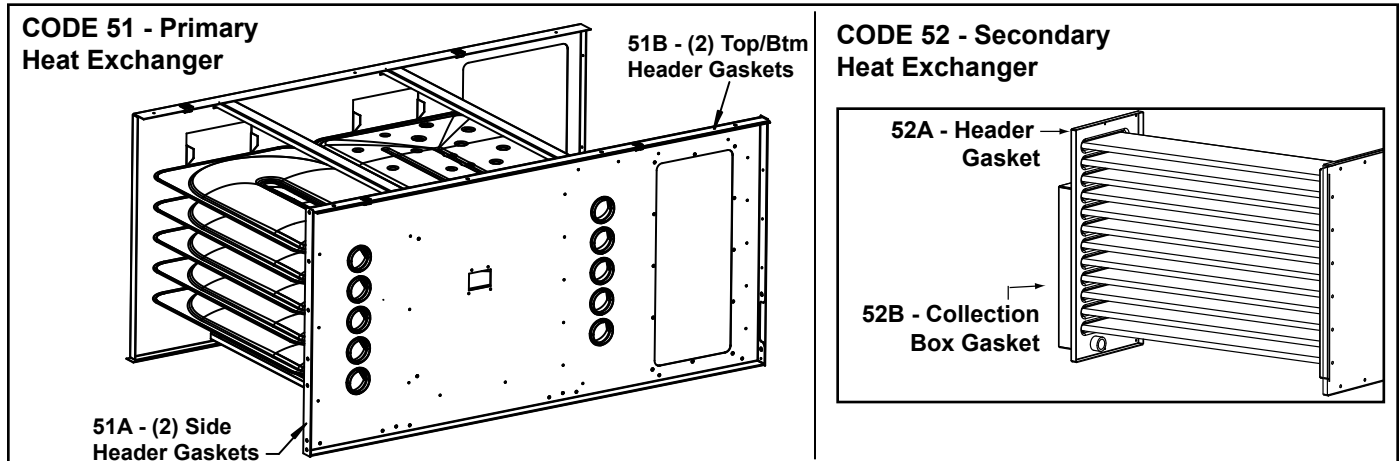
CODE 50 - Manual Shutoff Valve (Same as Option CE1)



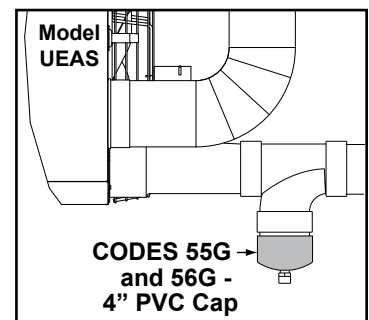
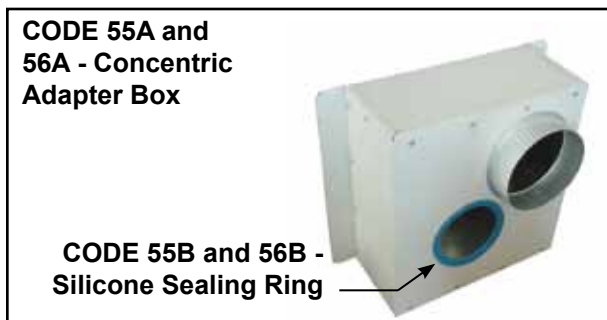
Size	130, 180	260, 310
Option Pkg	15971	15972
Manual Shutoff Valve	196910, 1/2"	196911, 3/4"
Union	1224, 1/2"	1101, 3/4"

Replacement Heat Exchangers

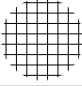

CODE	Description	130	180	260	310	
51	Primary Heat Exchanger Assembly	Aluminized	221252	221253	221254	221255
		409 Stainless	221318	221319	221320	221321
51A	Top/Bottom Header Gaskets	(2) 221201		(2) 221202		
51B	Side Header Gaskets	(2) 221203		(2) 221204		
52	Secondary Heat Exchanger Assembly	221256	221257	221258	221259	
52A	Secondary Heat Exchanger Header Gasket	220804		220805		
52B	Collection Box Gasket	221187				



Vent / Combustion Air Components for Separated Combustion



CODE 55 - Complete Horizontal Vent/Combustion Air Terminal Kit (Same as Option CC6), P/N 221247

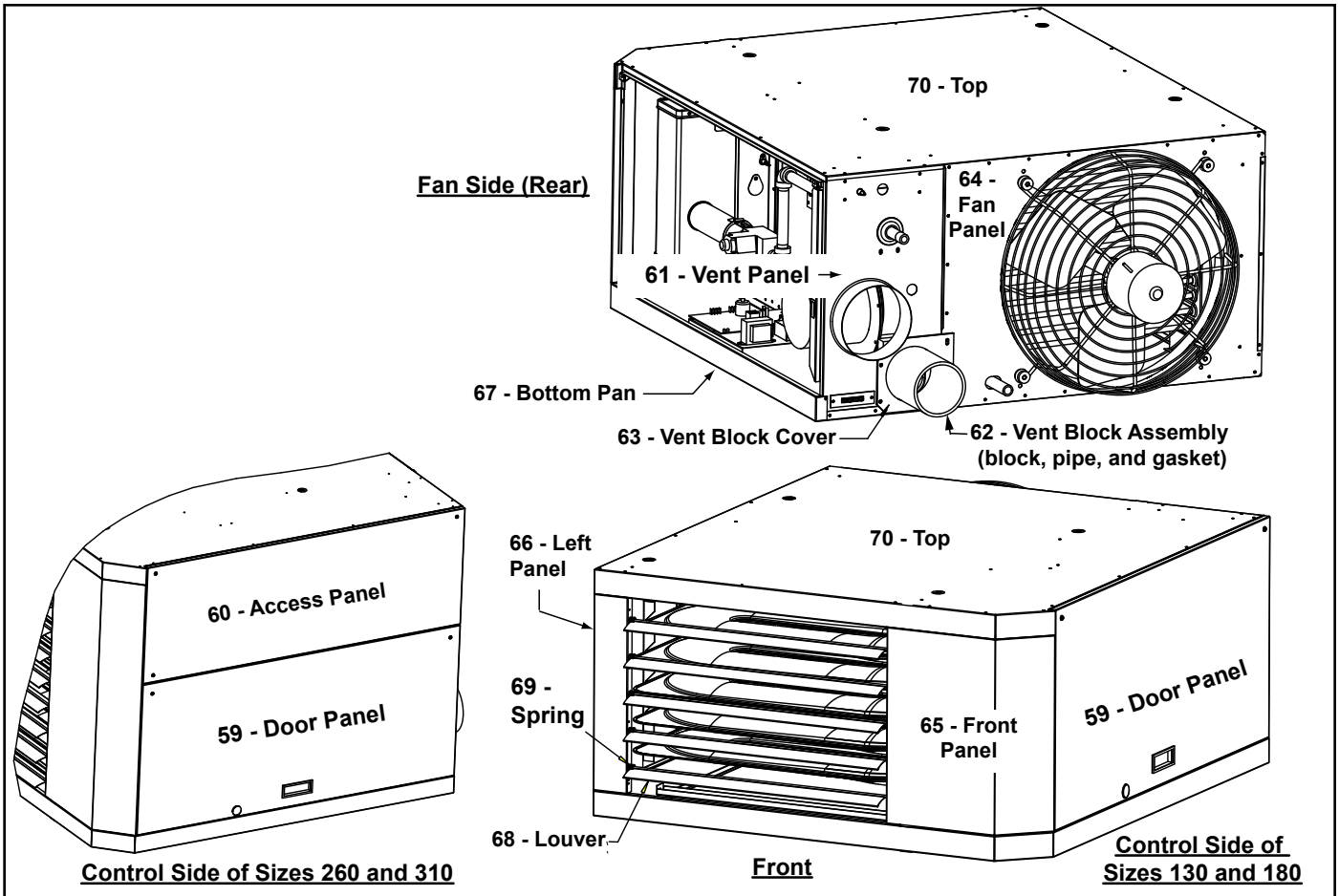
CODE	Qty	P/N	Description
55A/B	1	221069	Concentric Adapter Box with Silicone Sealing Ring (above)
55C	1	221089	Bird Screen for Exhaust Outlet 
55D	1	124940	Ring Guard for Air Inlet 
55E	4	37661	#10-16x1/2" lg Screws to attach the inlet air guard
55F	4	221186	Spacers for inlet air guard
55G	1	221091	4" PVC Cap for Vent Condensate Drain Connection (above)

CODE 56 - Complete Vertical Vent/Combustion Air Kit (Same as Option CC2), P/N 221248

CODE	Qty	P/N	Description
56A/B	1	221069	Concentric Adapter Box with Silicone Sealing Ring (above)
56C	1	221215	Bird Guard 
56D	2	37661	Screws for Bird Guard. #10x1/2" self-drilling
56E	1	221250	Combustion Air Inlet 
56F	1	221185	Rain Collar 
56G	1	221091	4" PVC Cap for Vent Condensate Drain Connection (above)

Cabinet Parts

CODE	Description	130	180	260	310
29	Door Assembly	220833		220834	
60	Access Panel (above the door)	N/A		220822	
61	Vent Panel Assy	220825		220826	
62	Vent Block Assembly	221518			
62A	Vent Block Gasket	221516 (part of Code 62)			
63	Vent Block Cover Assembly	221519			
64	Fan Panel	220759		220760	
65	Front Panel	201692		201694	
66	Left Panel	220753		220754	
67	Bottom Pan	220827		220828	
68	Louvers	(5) 195578		(10) 195578	
69	Louver Spring	(5) 195046		(10) 195046	
70	Top Panel	220755		220756	
71	T-CORE ³ Logo	(see illustration on front cover)		221183	
72	Reznor Logo			196689	
73	Cabinet Touchup Paint	201805, 11 oz spray can, White			
74	Horizontal Louver Paint	207432, 12 oz aerosol can, Maroon			



CODE 80 - Hanger Kit (Same as Option CK10)

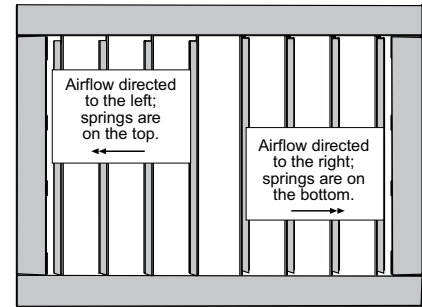
Option CK10 - Four-point Suspension



Size	All
Option CK10 Pkg P/N	98511
Swivel Connector Assembly	(4) 17627
3/8" Lock Washer	(8) 5197
3/8" Hex Nuts	(4) 1438

CODE 90 - Vertical Louvers (Same as Option CD1)

Size	130, 180	260, 310
Option Pkg P/N	201199	201201
<i>Components</i>		
Louver Frame Top & Bottom	(2) 197189	(2) 197190
Louver Frame Sides	(2) 197186	(2) 197188
Screws, #8-18 x 3/8" long, AB point, slotted indented serrated hex washer head	(20) 195638	
Louvers	(8) 196572	(8) 195315
Compression Springs	(8) 195046	



CODE 91 - Downturn Nozzles (Same as Option CD2, CD3, and CD4)

	Size	130, 180	260,310	
	Option CD2 Pkg P/N	201202	201204	
	Nozzle Section Right Side	(1) 197173	(1) 197175	
	Nozzle Section Left Side	(1) 197176	(1) 197178	
	Nozzle Section Top	(1) 197170	(1) 197172	
	Nozzle Bracket	(2) 201708	(2) 201709	
	Nozzle Section Bottom	(1) 196997	(1) 197179	
	Screws, #8-18 x 3/8" long AB point, slotted indented serrated hex washer head	(16) 195638		
	Option CD4 Pkg P/N	201208	201210	
	Same components as Option CD2 above PLUS			
	Vertical Louver	(8) 196572	(8) 195315	
	Compression Spring	(8) 195046		
	Louver Top and Bottom Support	(2) 197189	(2) 197190	
	Louver Frame Side	(2) 197186	(2) 197188	
	Screws, #8-18 x 3/8" long AB point, slotted indented serrated hex washer head	(28) 195638		
	Option CD3 Pkg P/N	201205	201207	
		Nozzle Section Right Side	(2) 197173	(2) 197175
		Nozzle Section Left Side	(2) 197176	(2) 197178
		Nozzle Section Top	(2) 197170	(2) 197172
		Nozzle Bracket	(2) 201708	(2) 201709
Nozzle Section Bottom		(2) 196997	(2) 197179	
Screws, #8-18 x 3/8" long AB point, slotted indented serrated hex washer head		(30) 195638		

CODE 92 - Thermostat and Cover (Same as Option CL1 and CM1)

<p>1-stage Thermostat, 24 volt, with fan switch, P/N 255350 (Same as Option CL1)</p>
<p>P/N 257464, Clear Plastic, Locking, Thermostat Cover, 6x5x2-1/2 (inside) (Same as Option CM1)</p>

www.RezSpec.com
(800) 695-1901

©2012 Thomas & Betts Corporation, All rights reserved.
Trademark Note: Reznor® is registered in at least the United States.
 9/12 Form P-UEAS (Version A)